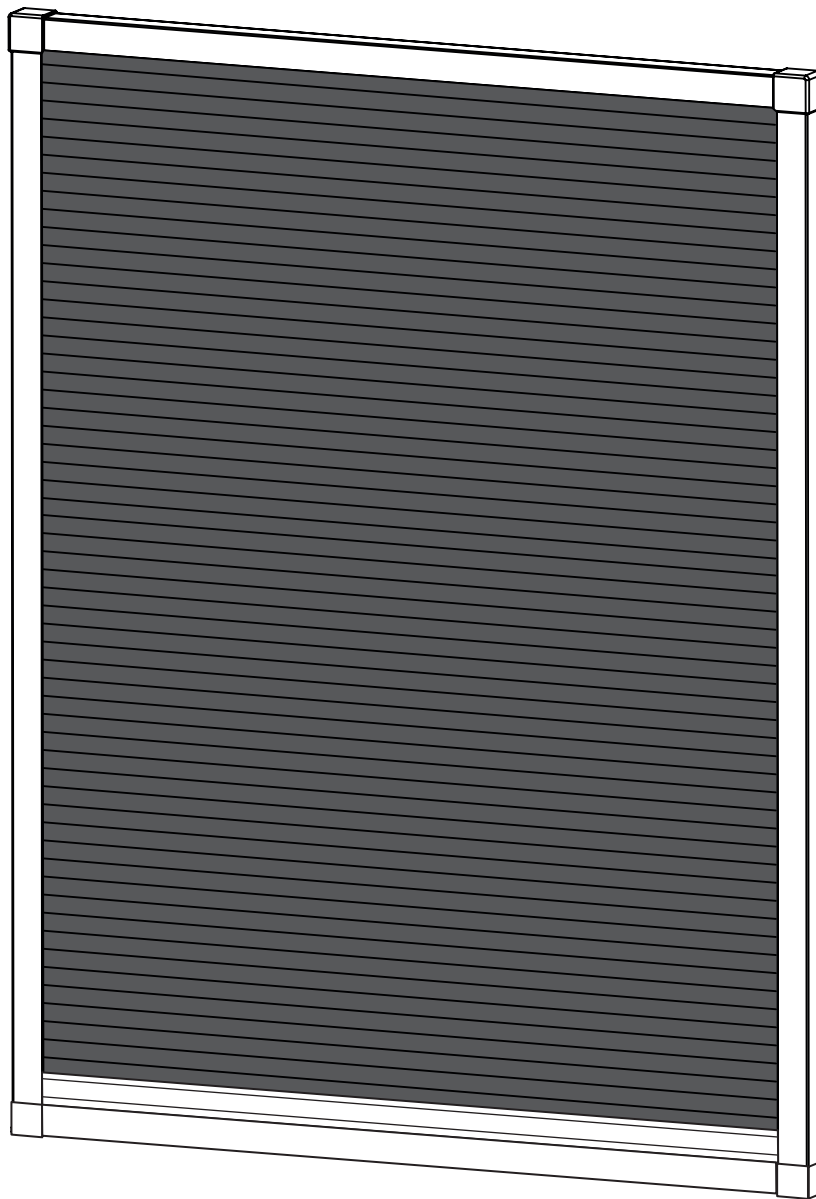


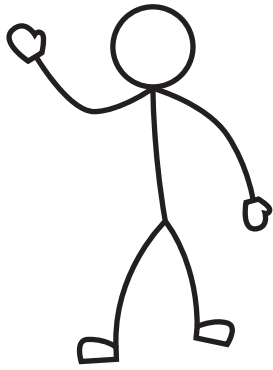


SCHELLENBERG

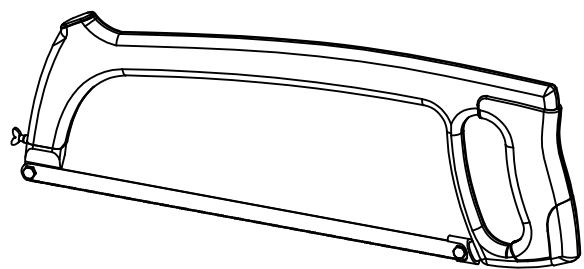
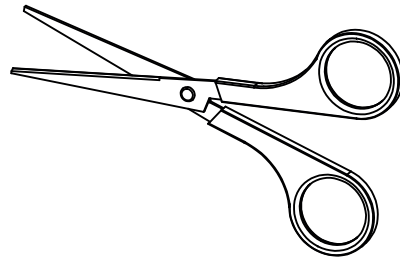
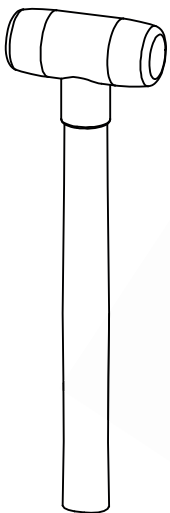
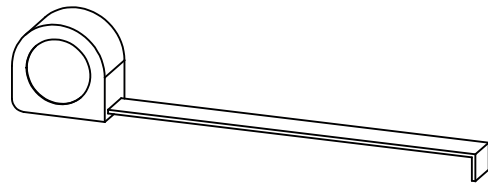
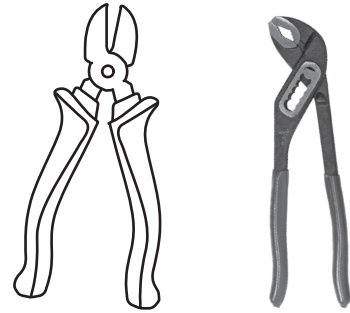
PLISSEE

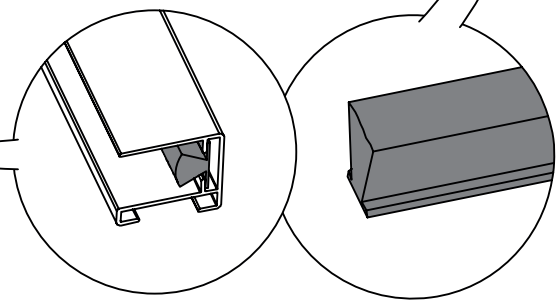
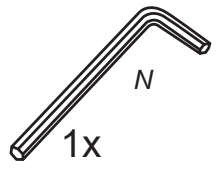
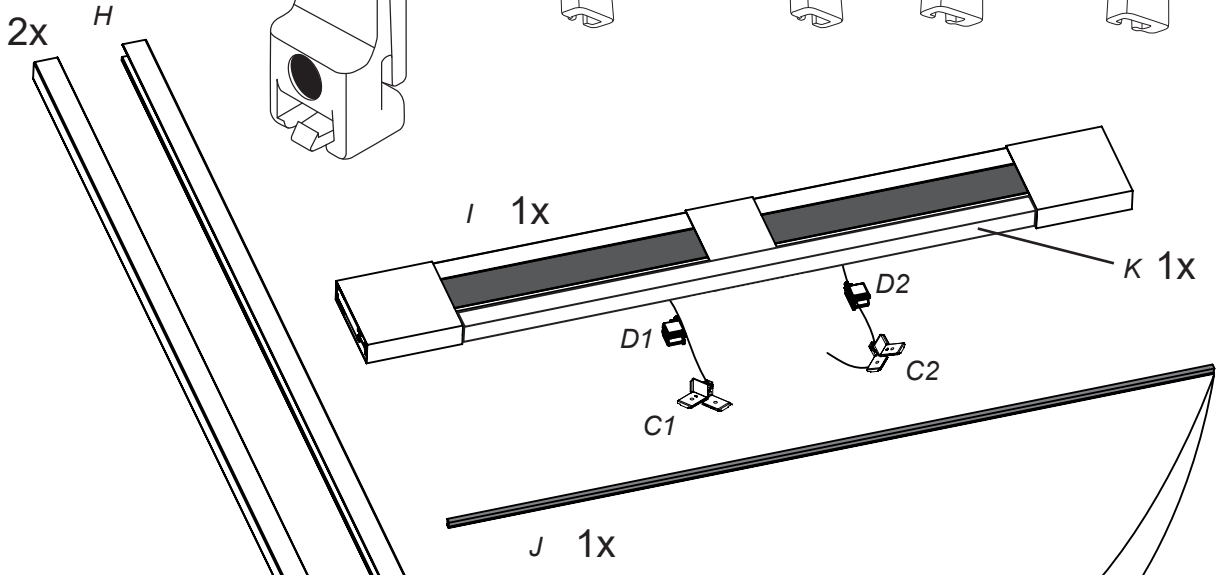
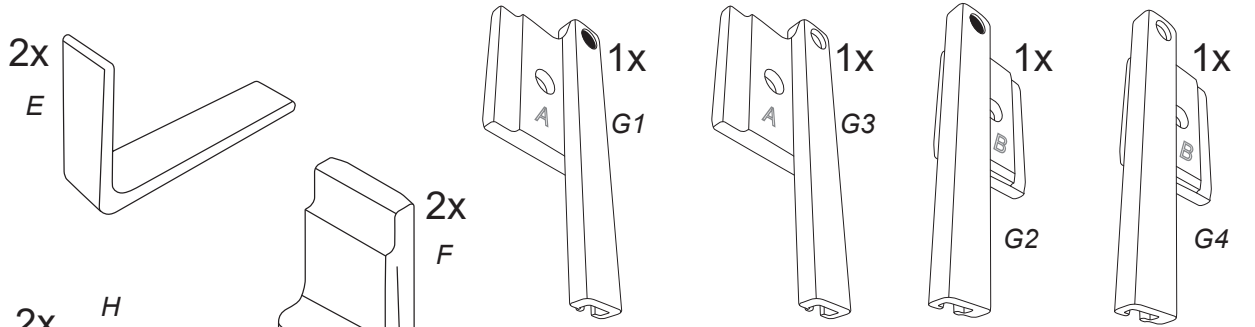
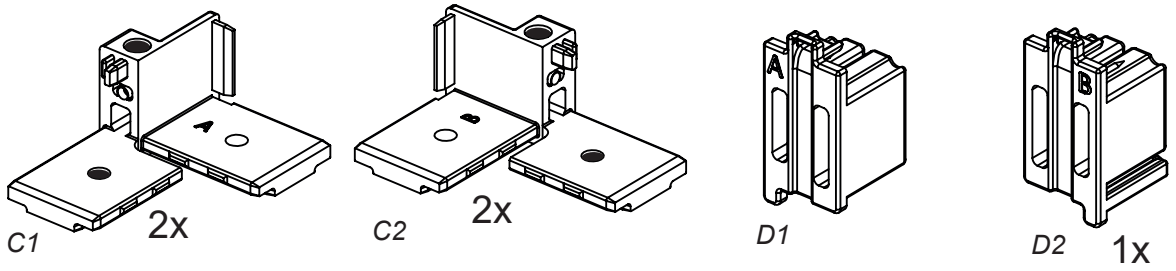
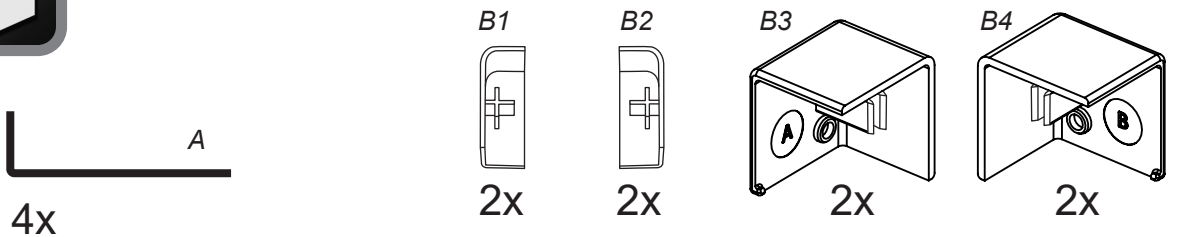
70992



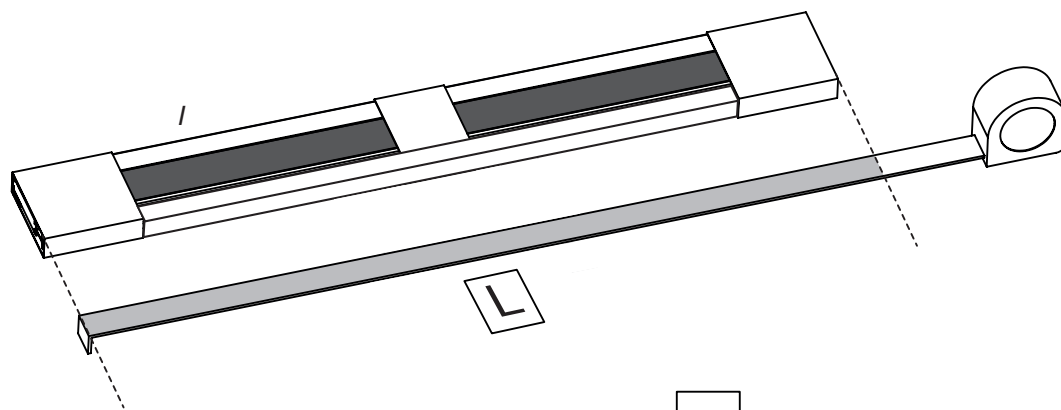


2x



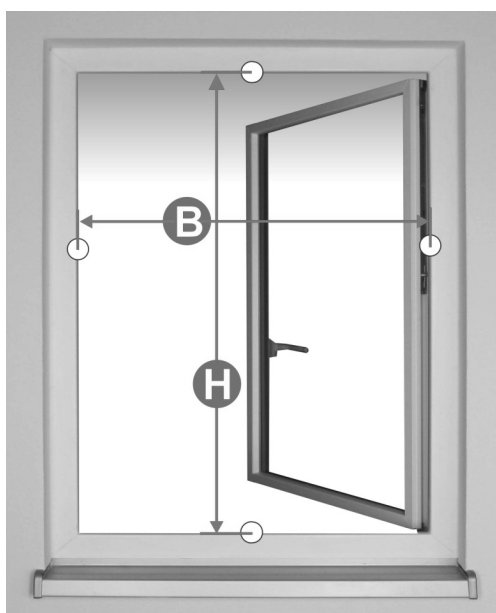


1.



L = _____ , _____ cm

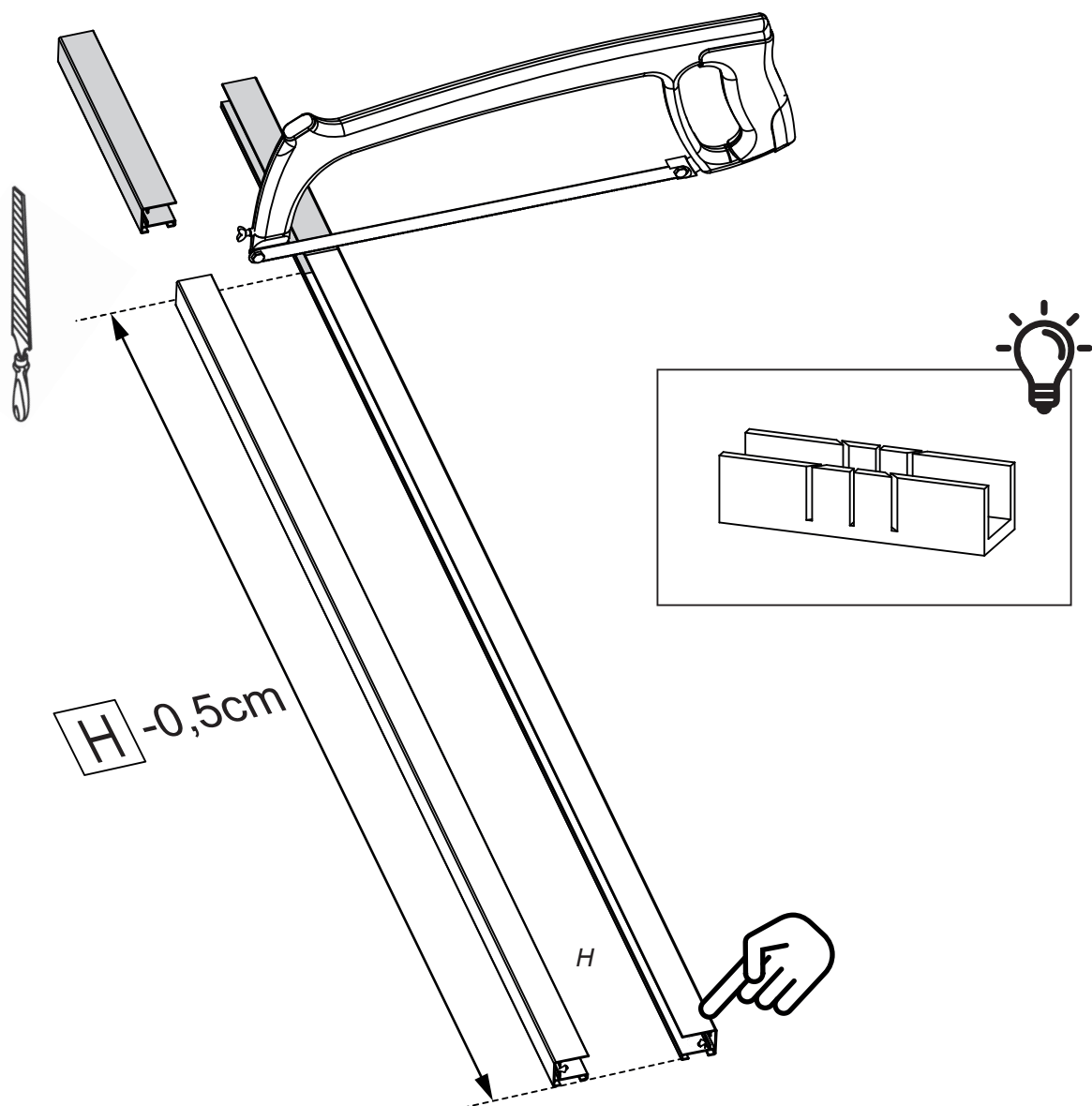
2.



B = _____ , _____ cm

H = _____ , _____ cm

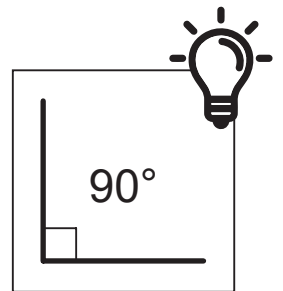
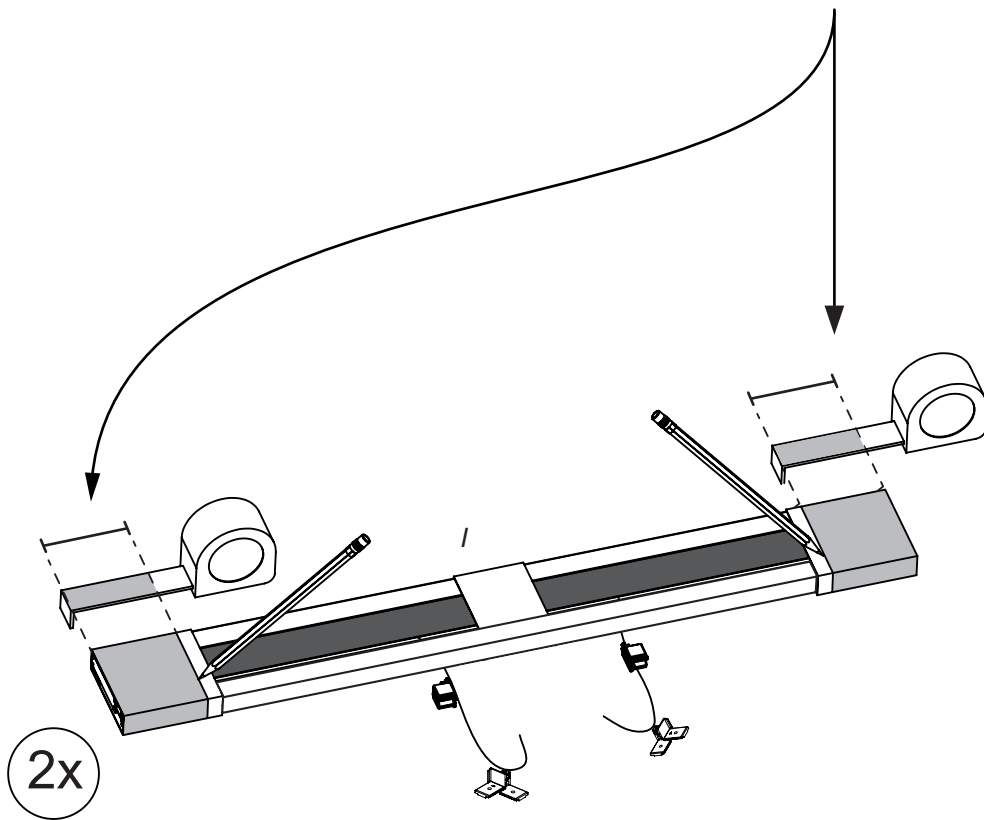
3.



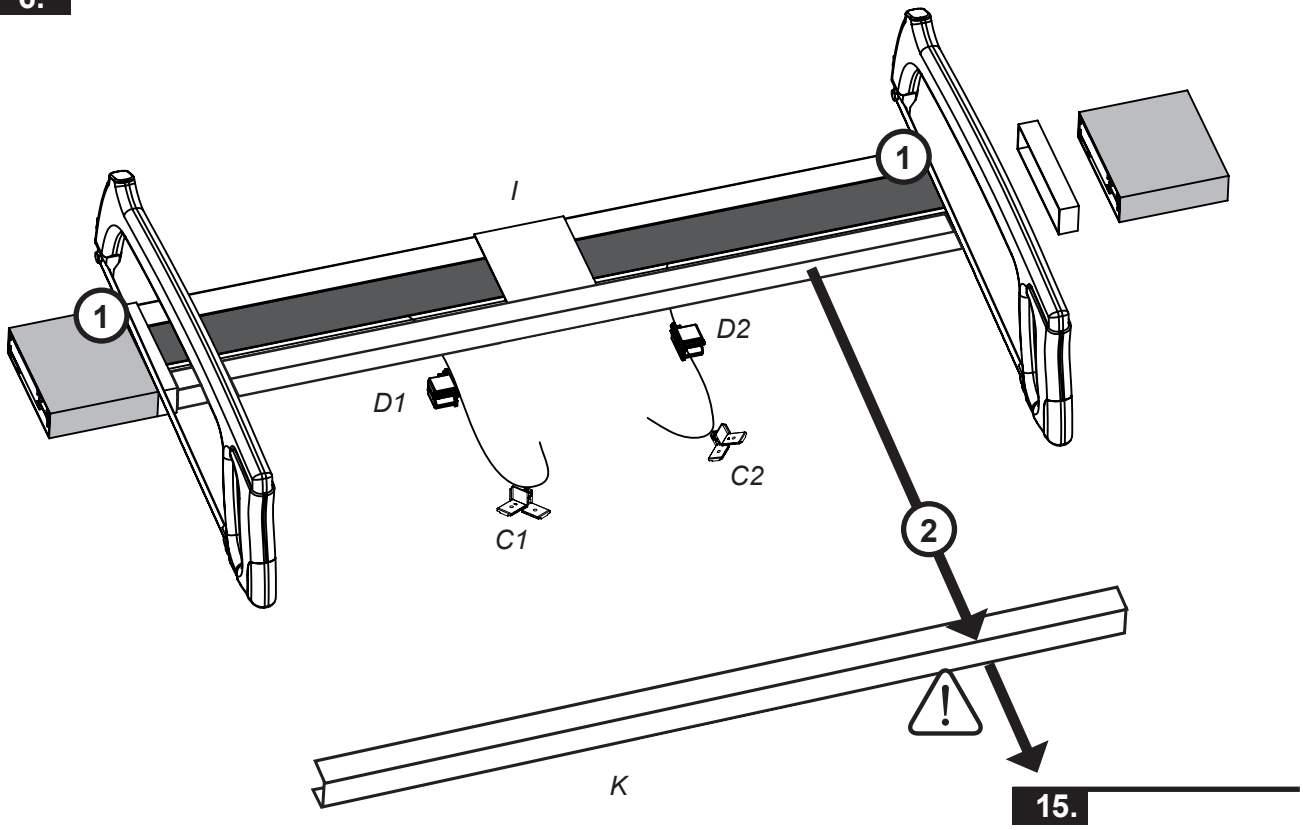
a) $\boxed{L} - \boxed{B} = \underline{\hspace{1cm}}, \underline{\hspace{1cm}} \text{ cm} - \underline{\hspace{1cm}}, \underline{\hspace{1cm}} \text{ cm} = \underline{\hspace{1cm}}, \underline{\hspace{1cm}}$
 $\underline{\hspace{1cm}} \text{ cm}$

b) $\underline{\hspace{1cm}}, \underline{\hspace{1cm}} \text{ cm} - 1,5\text{cm} = \underline{\hspace{1cm}}, \underline{\hspace{1cm}} \text{ cm}$

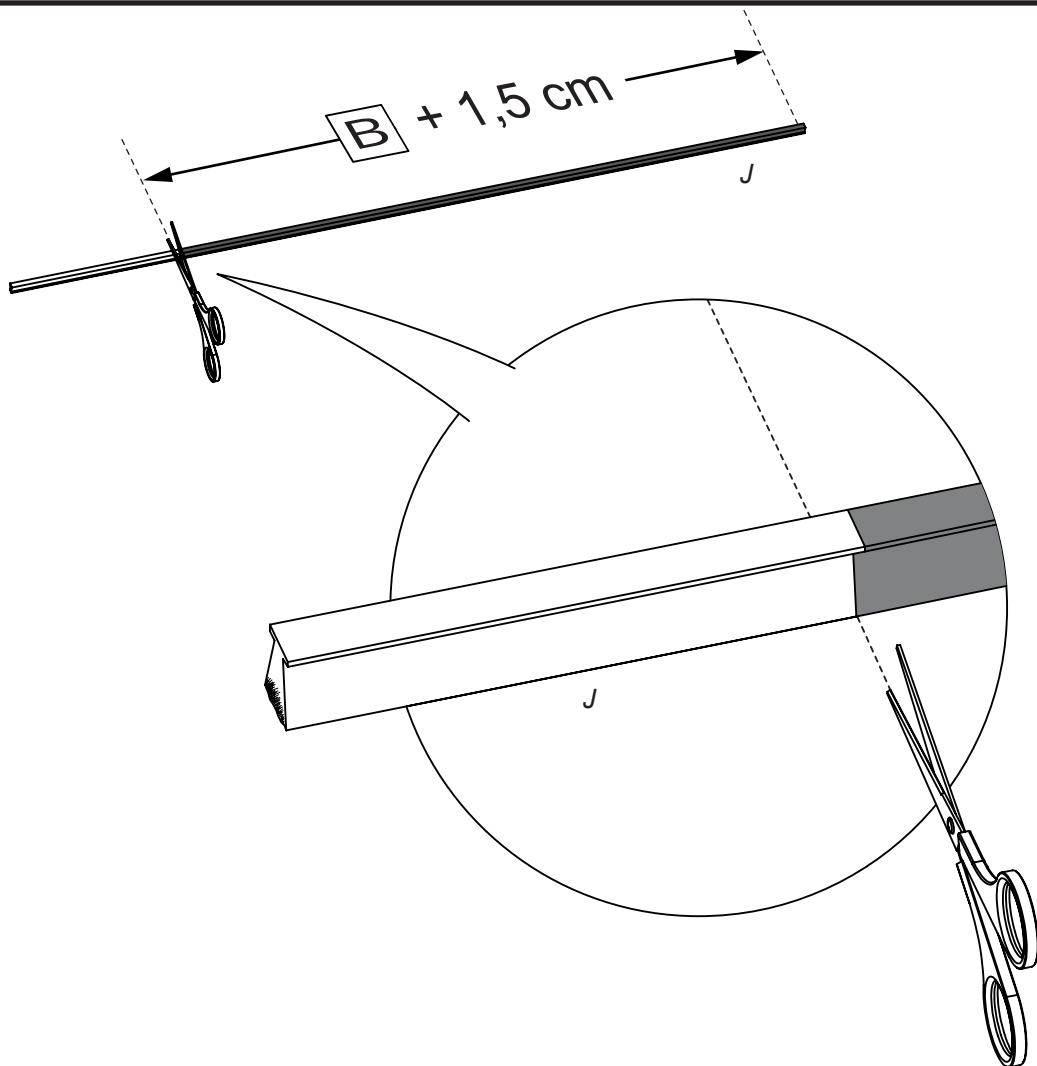
c) $\frac{\underline{\hspace{1cm}}, \underline{\hspace{1cm}}}{2} = \boxed{\underline{\hspace{1cm}}, \underline{\hspace{1cm}} \text{ cm}}$



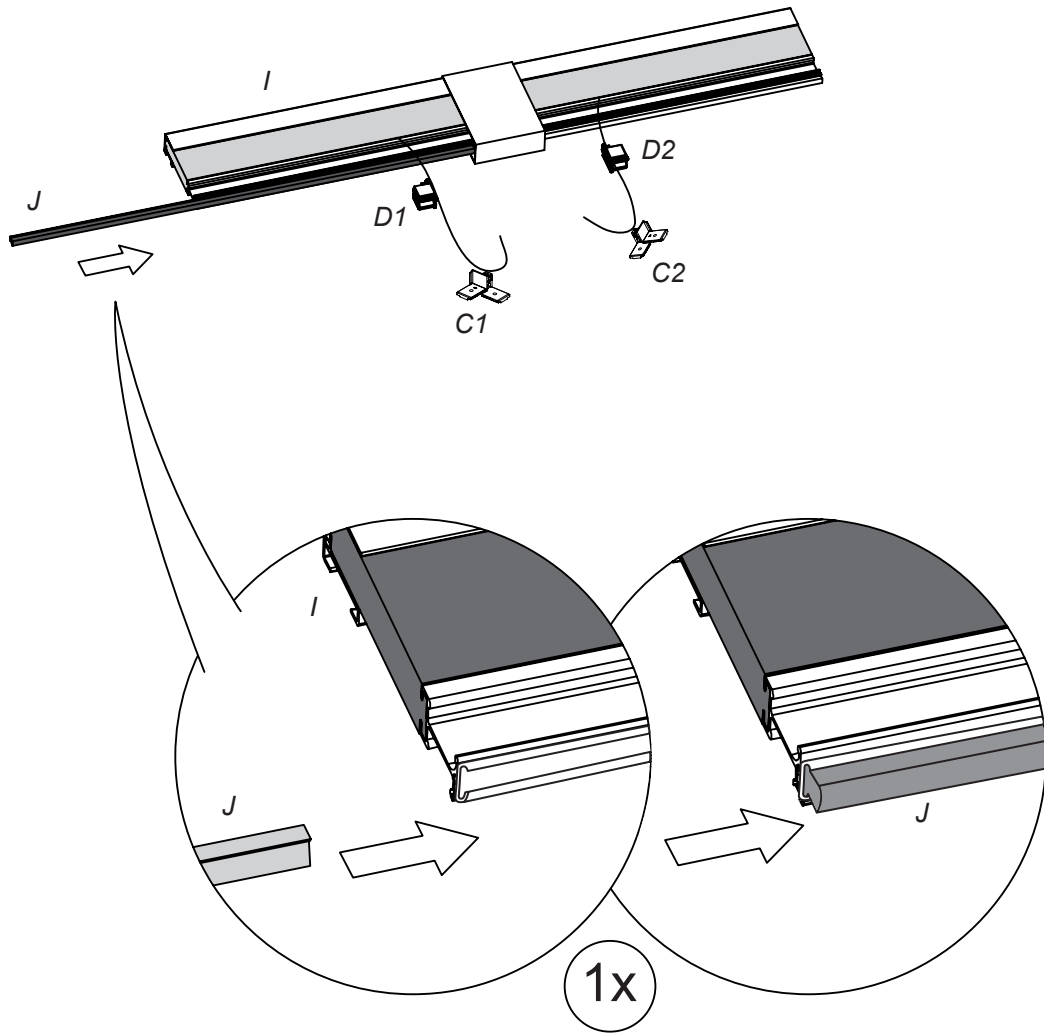
6.



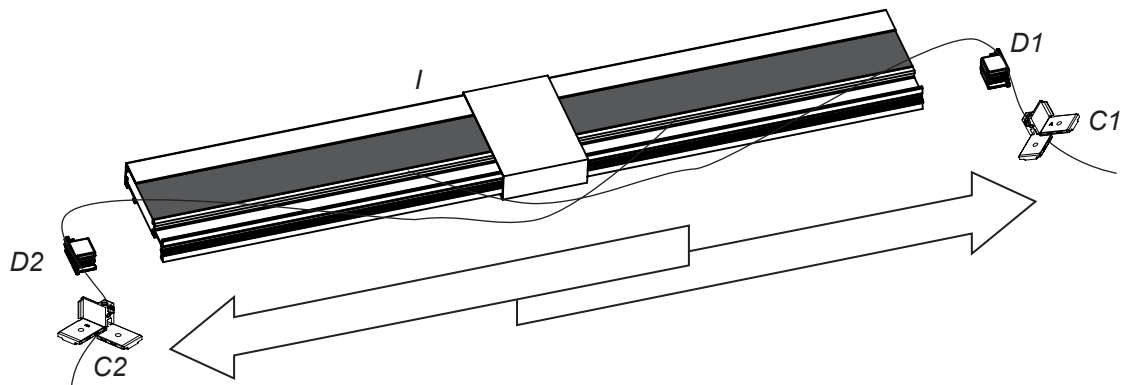
7.



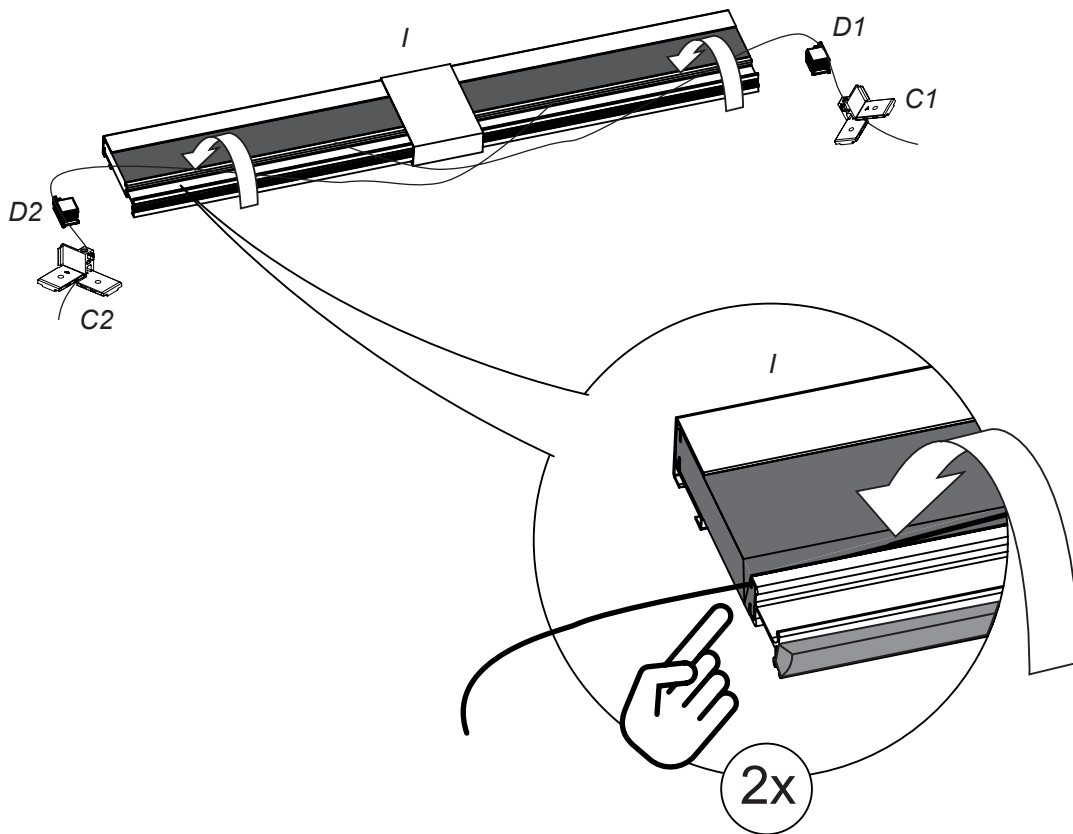
8.



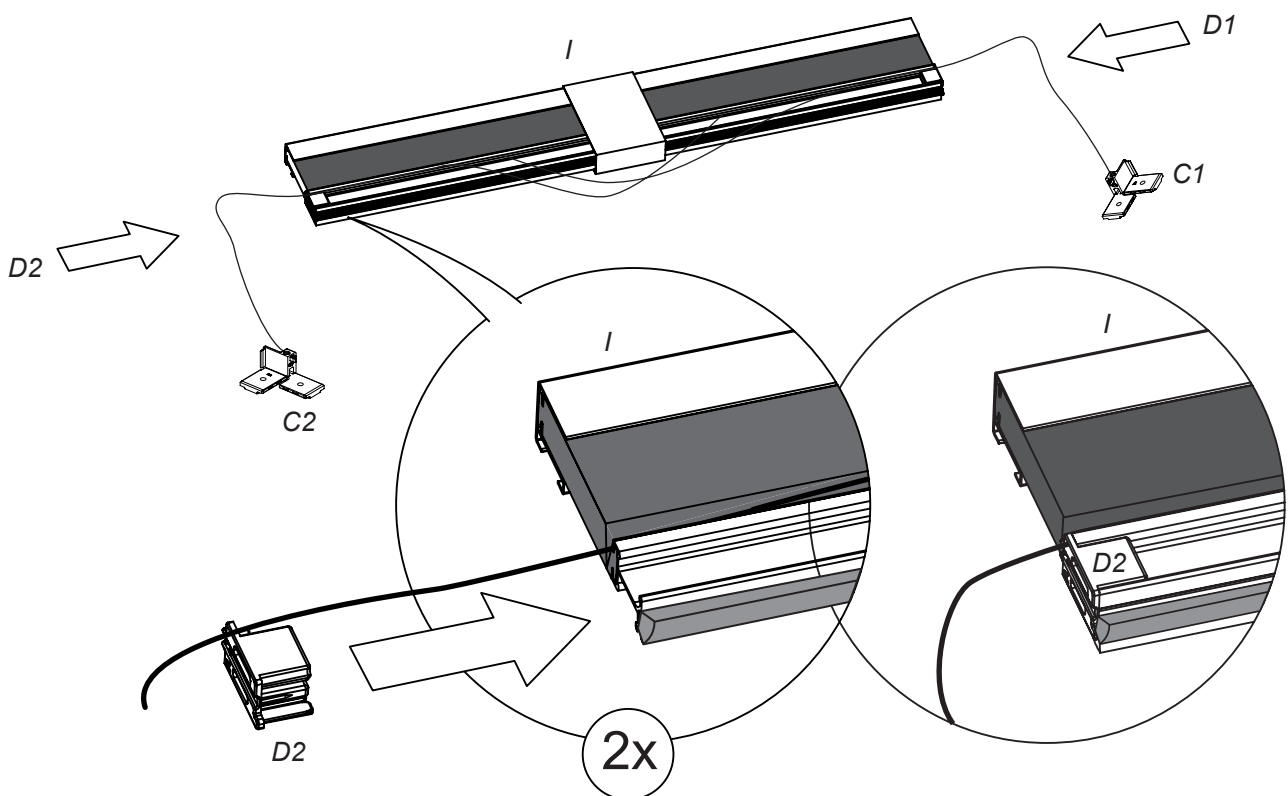
9.



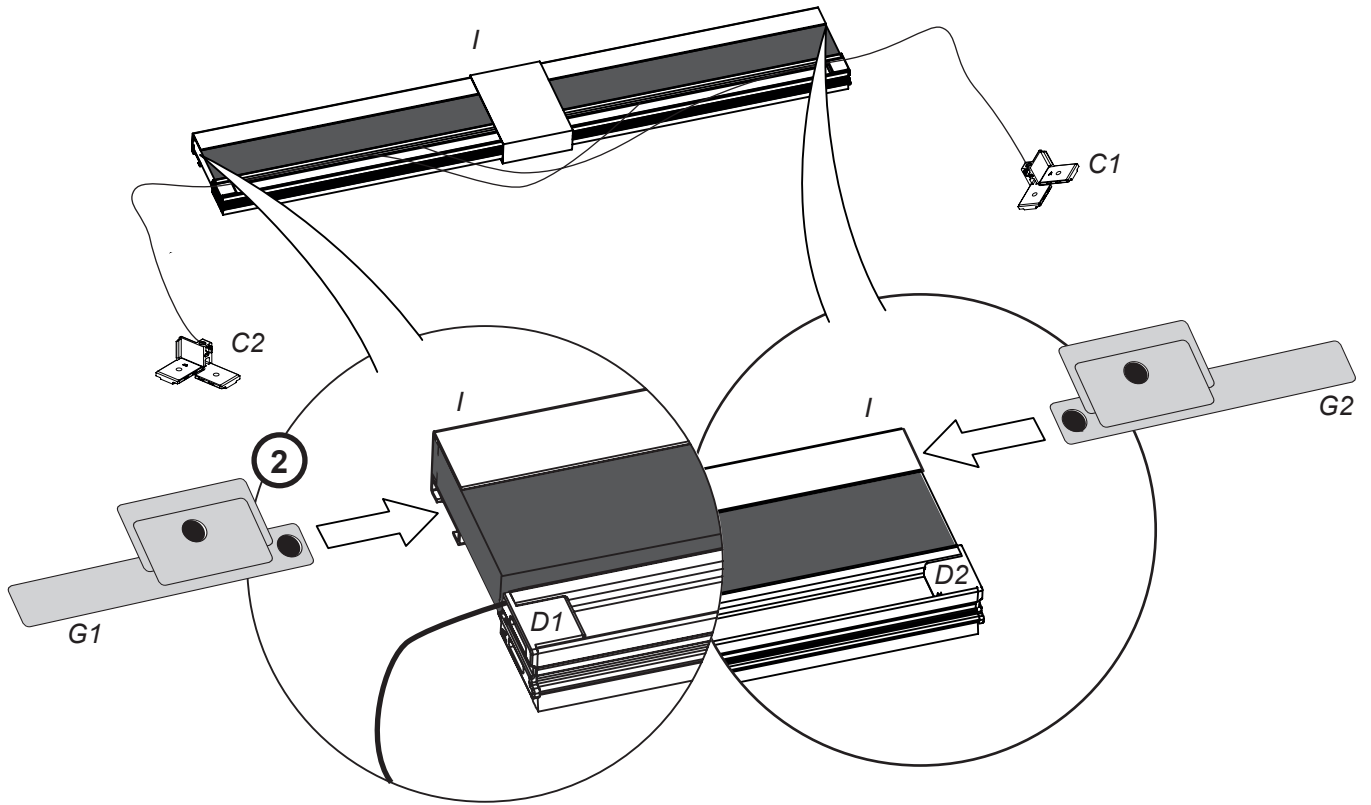
10.



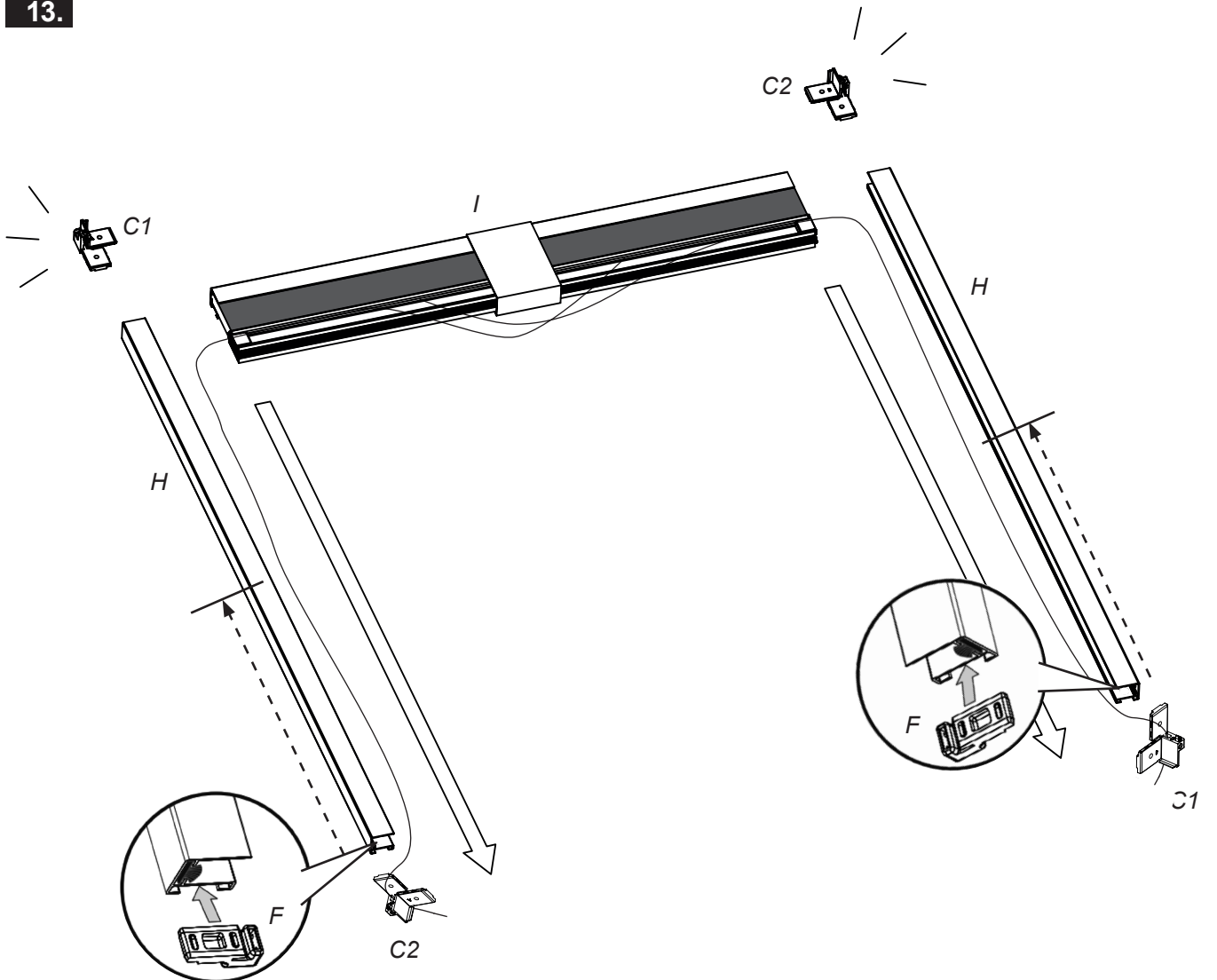
11.

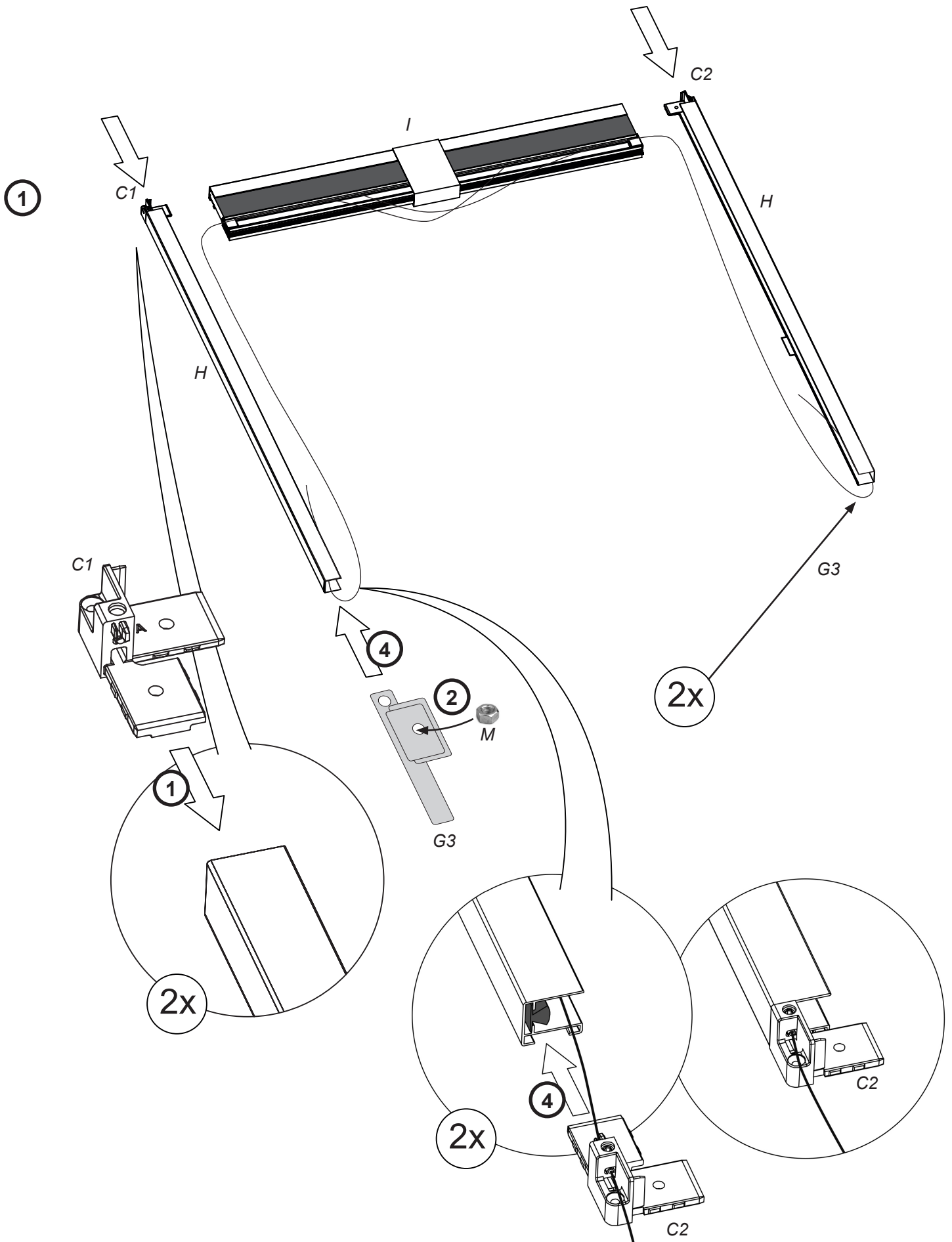


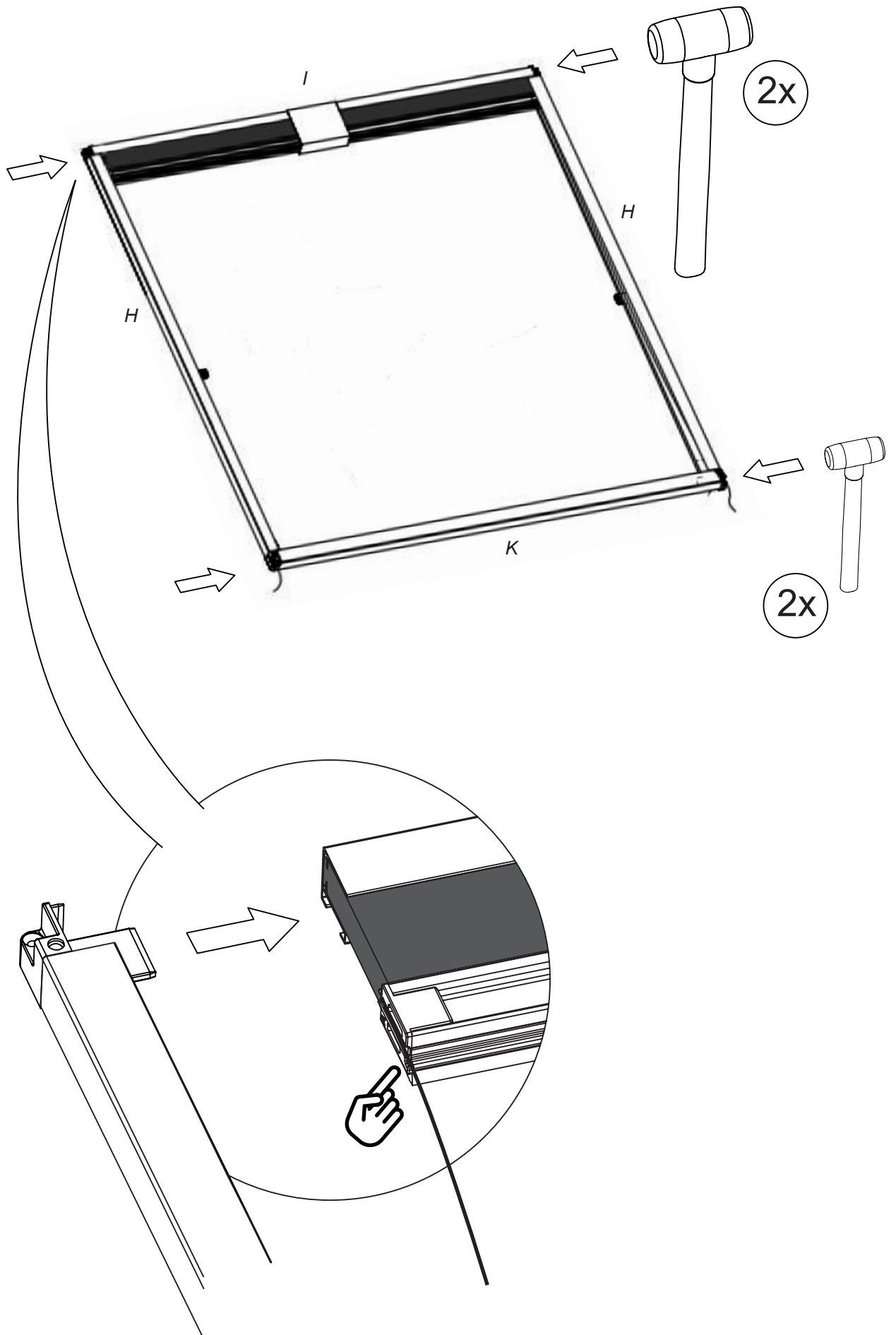
12.



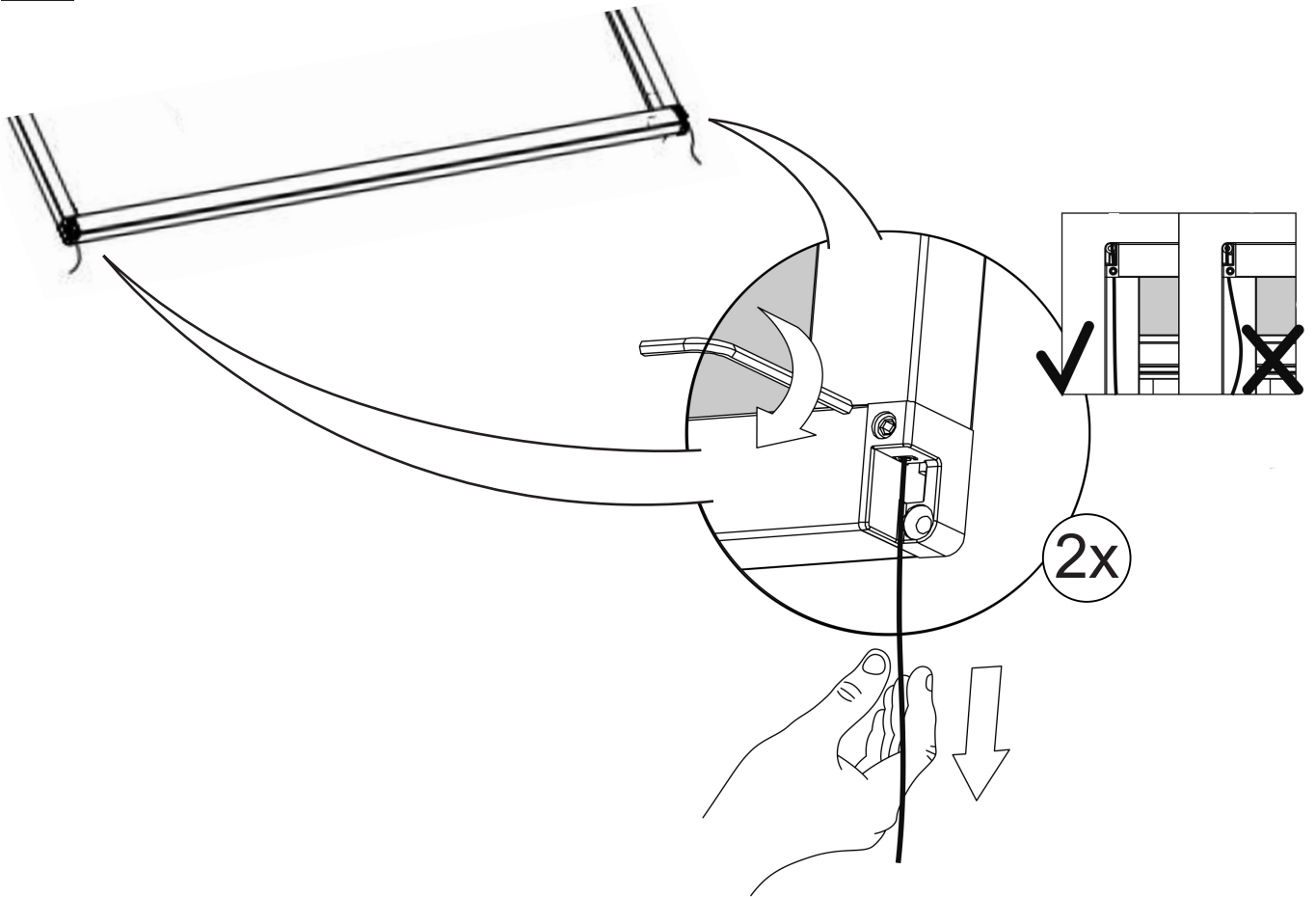
13.







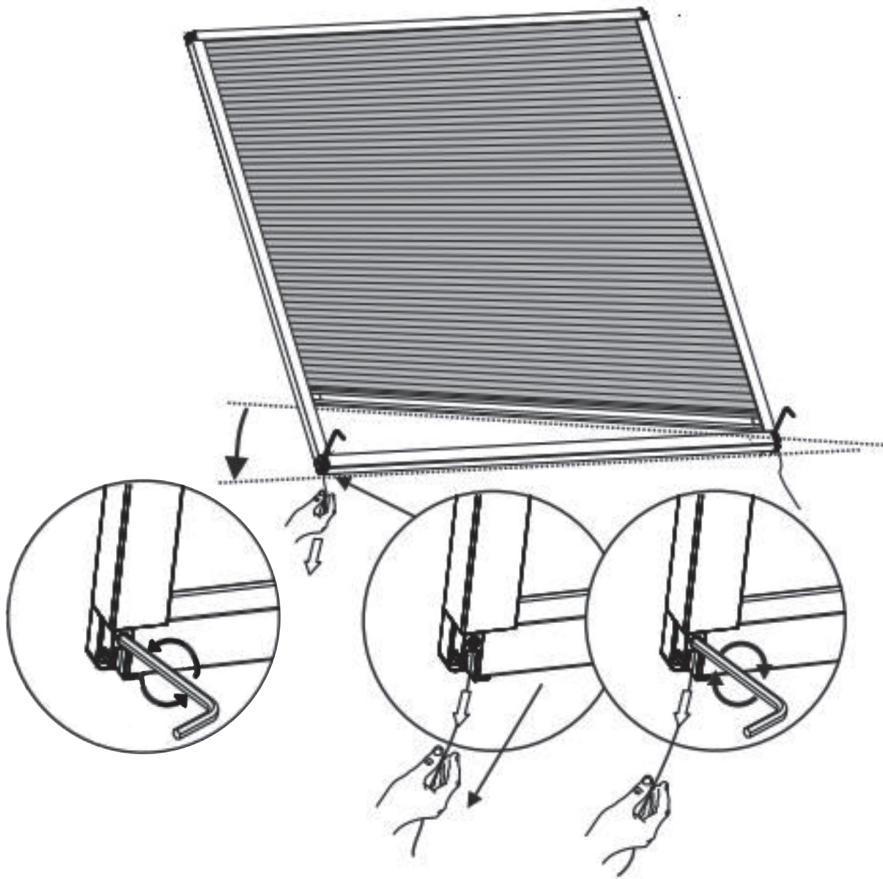
16.



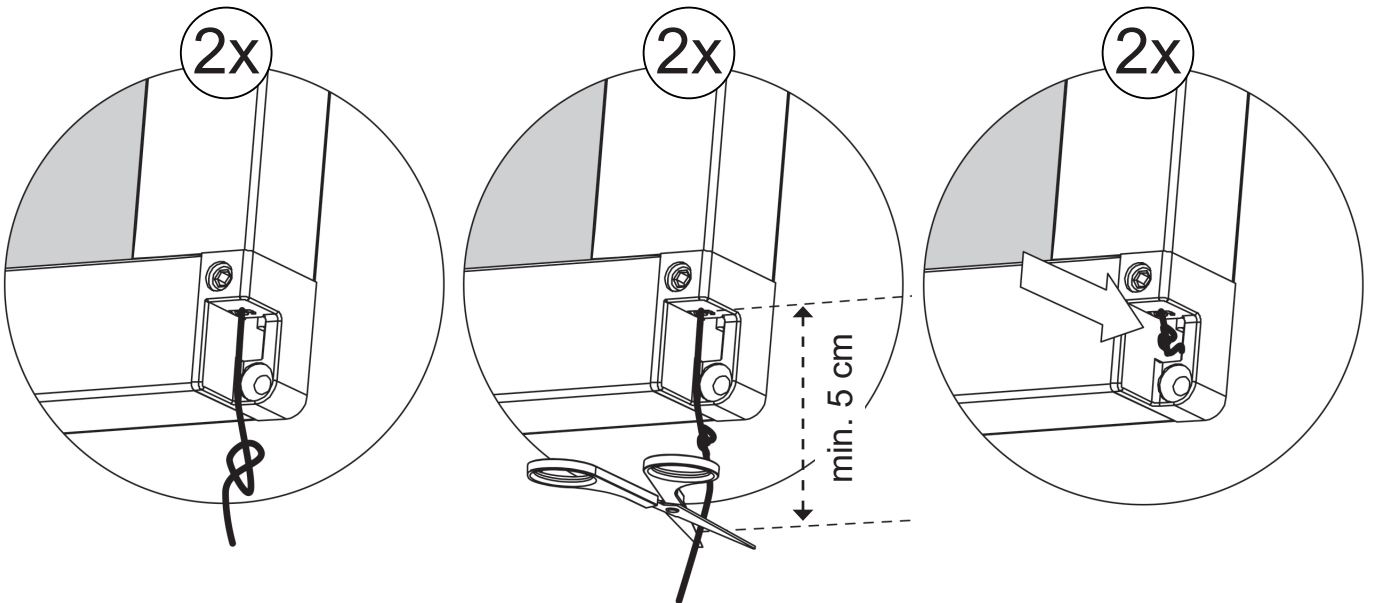
17.



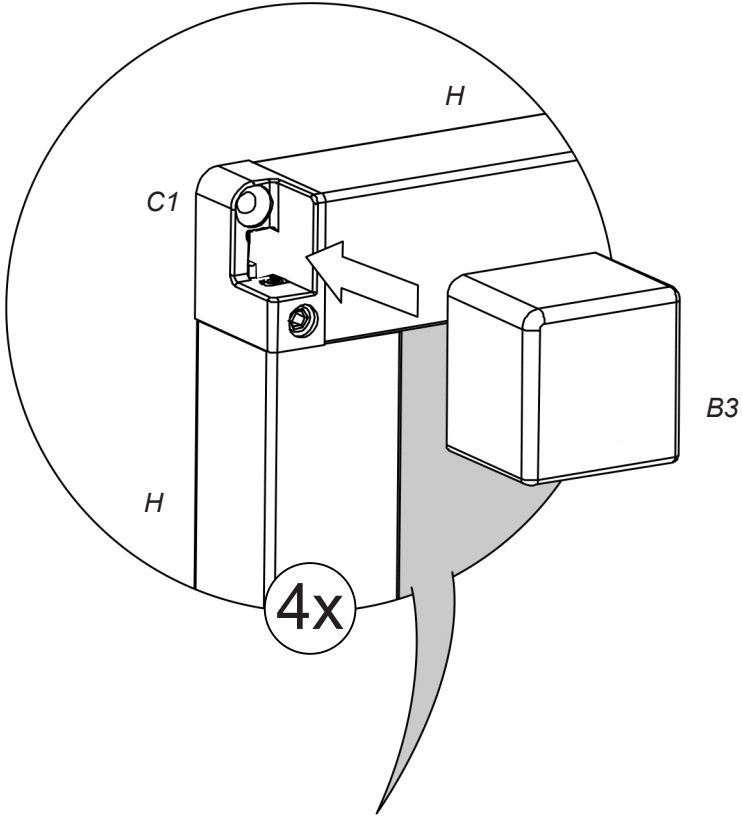
18.



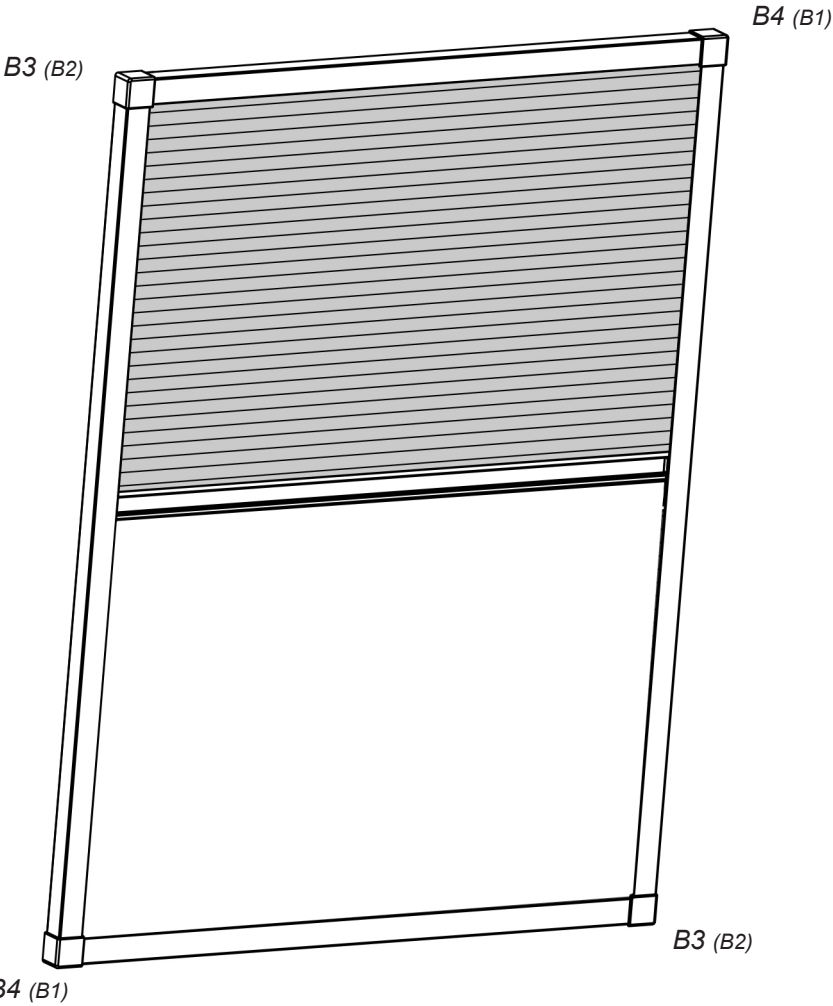
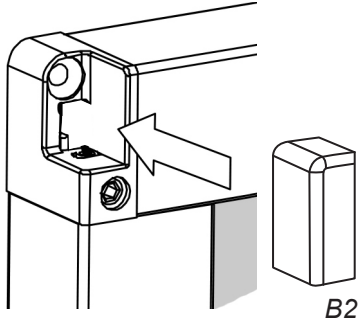
19.



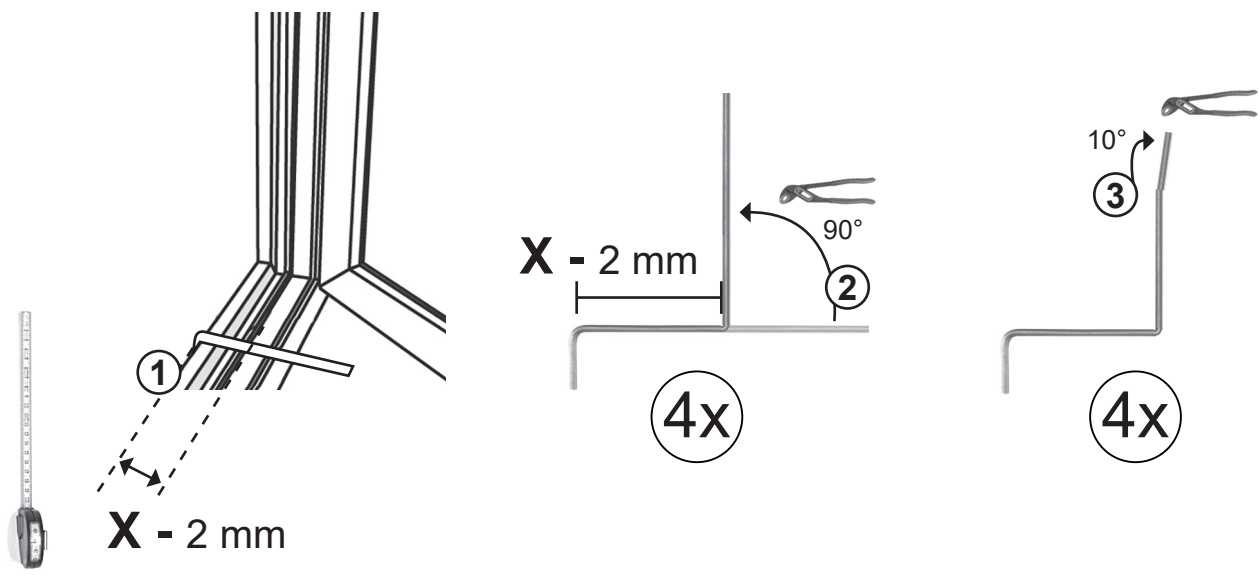
OPT 1



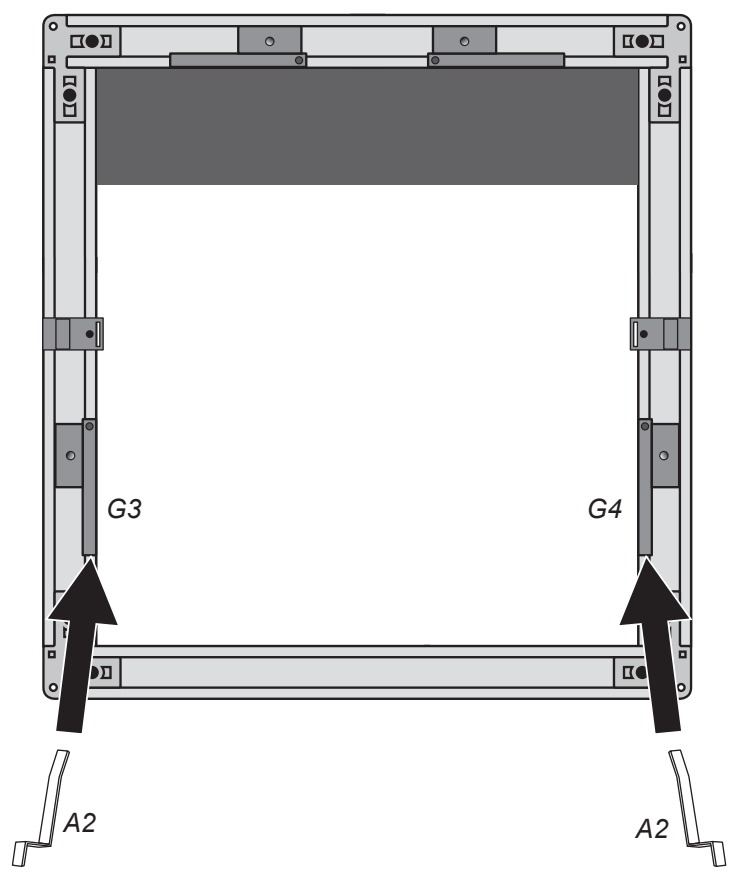
OPT 2



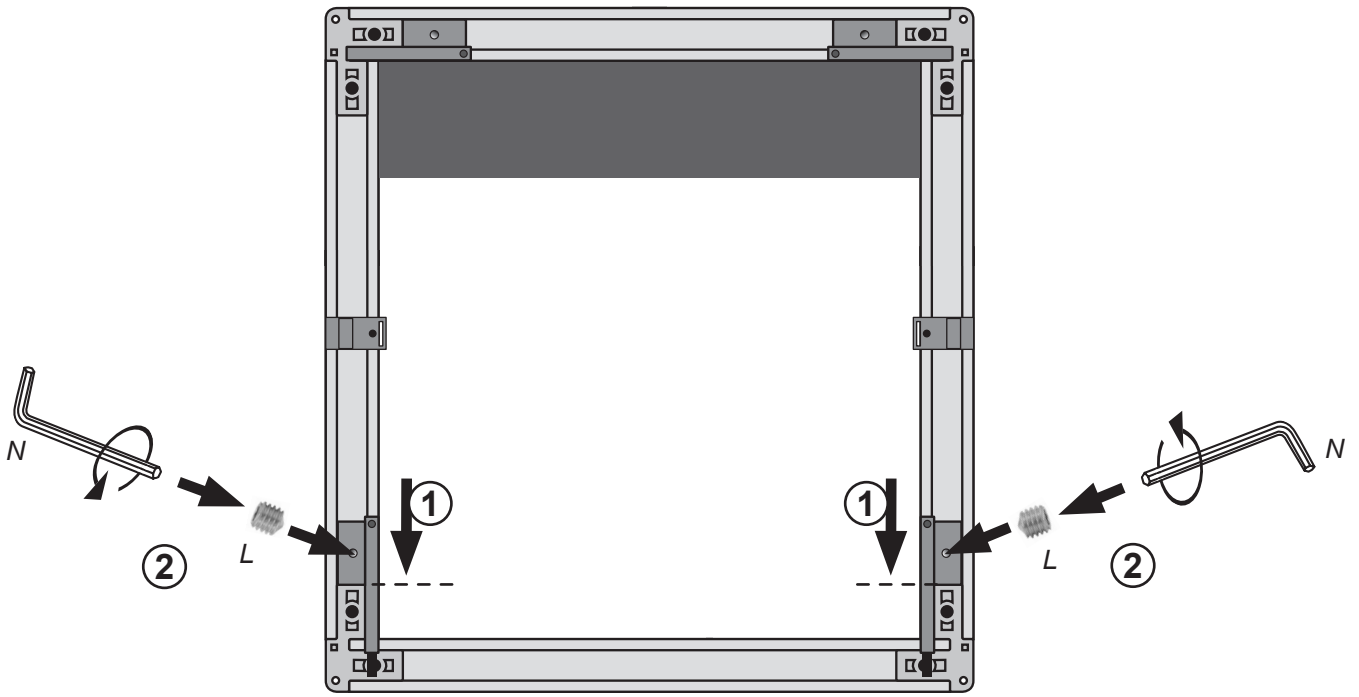
21.



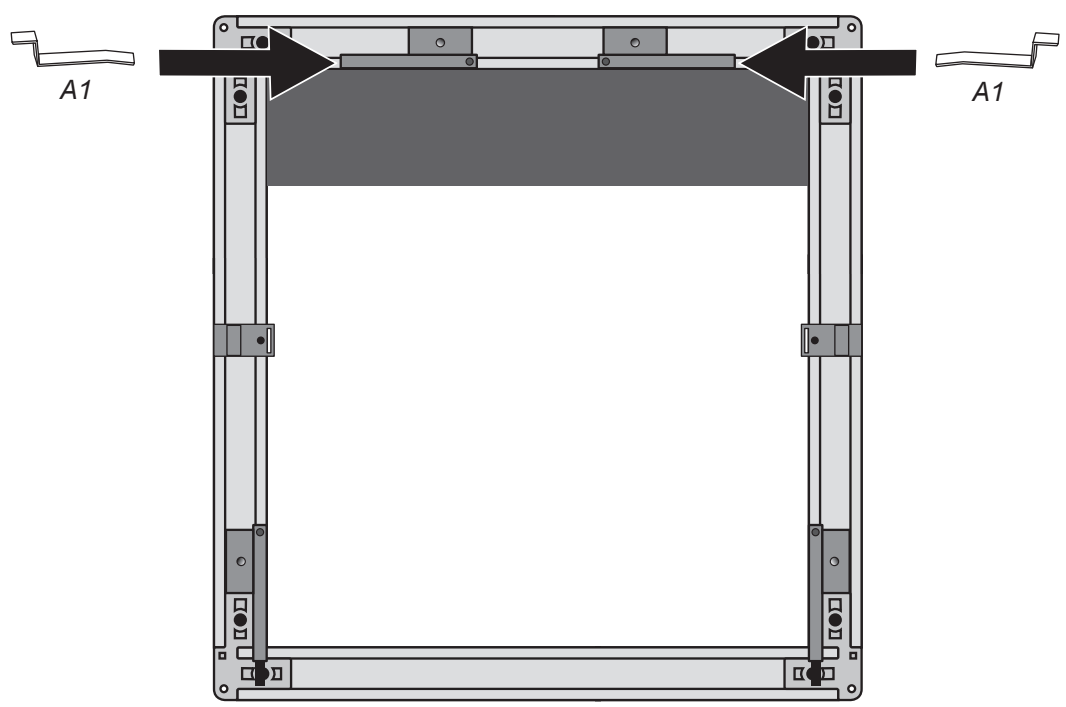
22.



23.



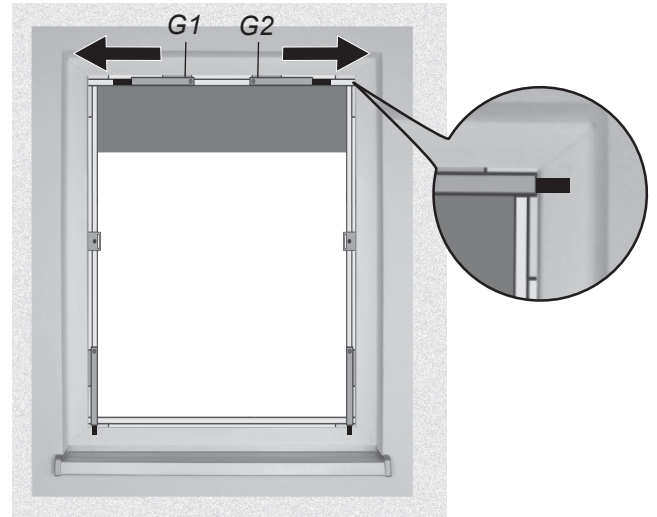
24.



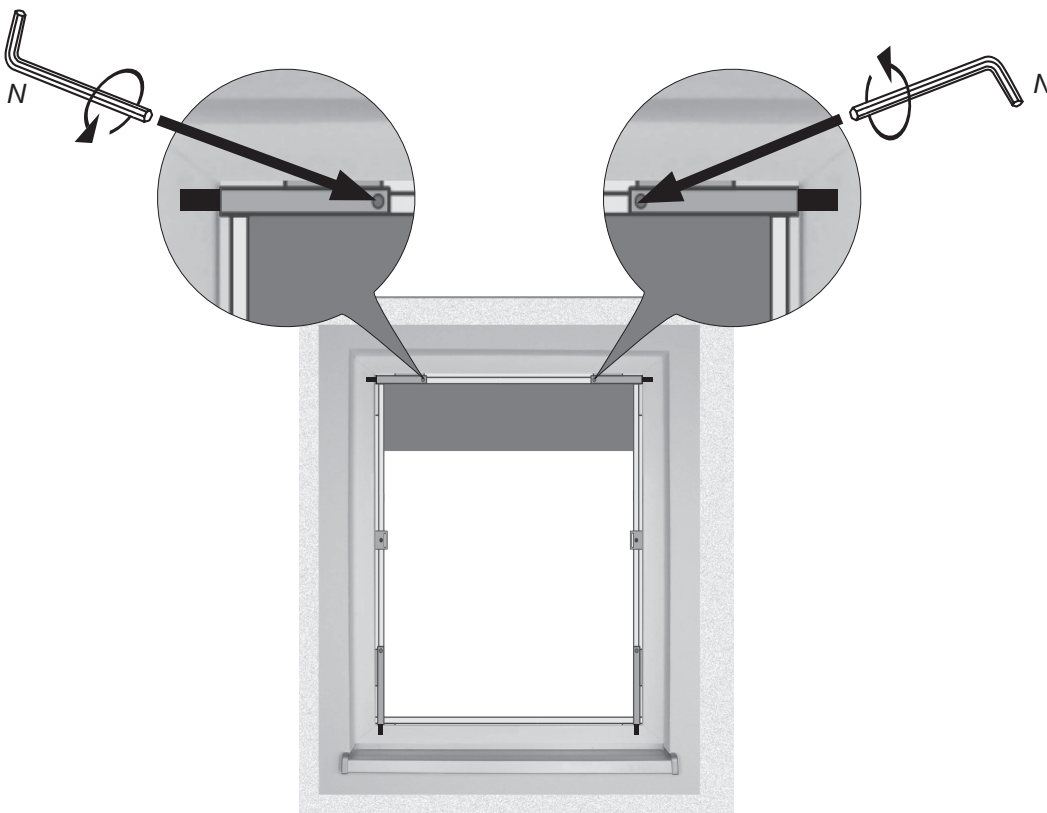
25.



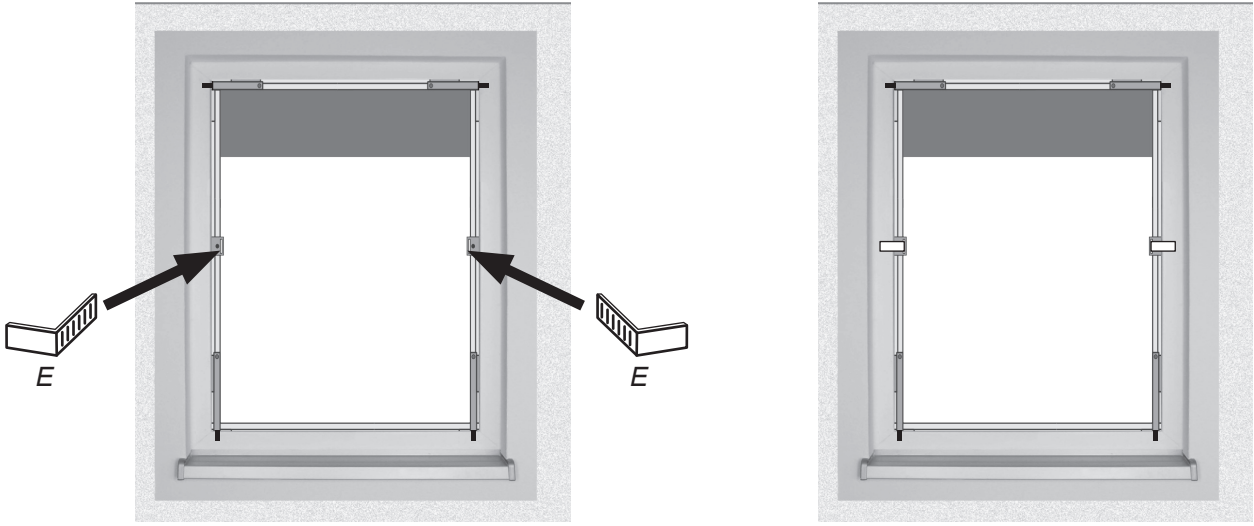
26.



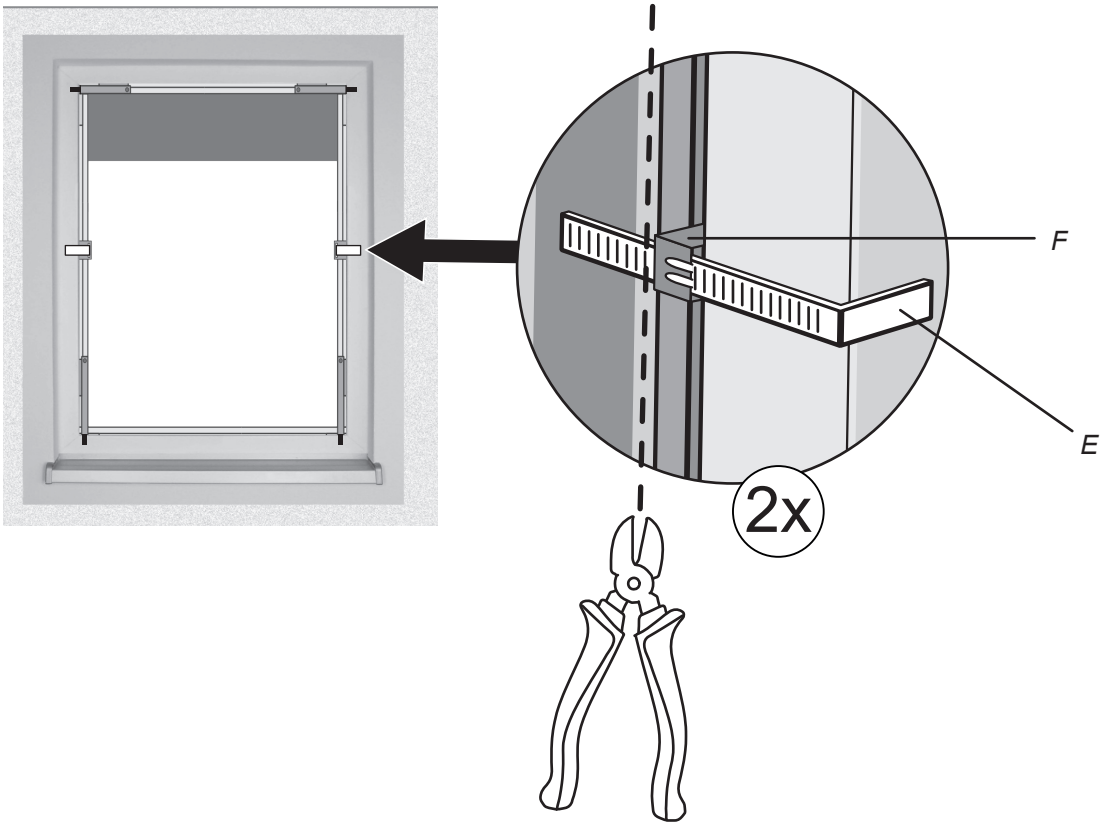
27.



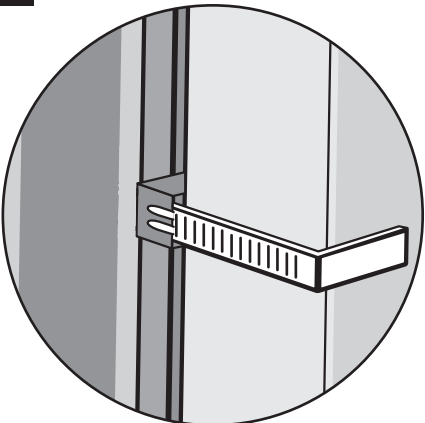
28.



29.



30.





Alfred Schellenberg GmbH
An den Weiden 31
D-57078 Siegen
service.int@schellenberg.de
www.schellenberg.de