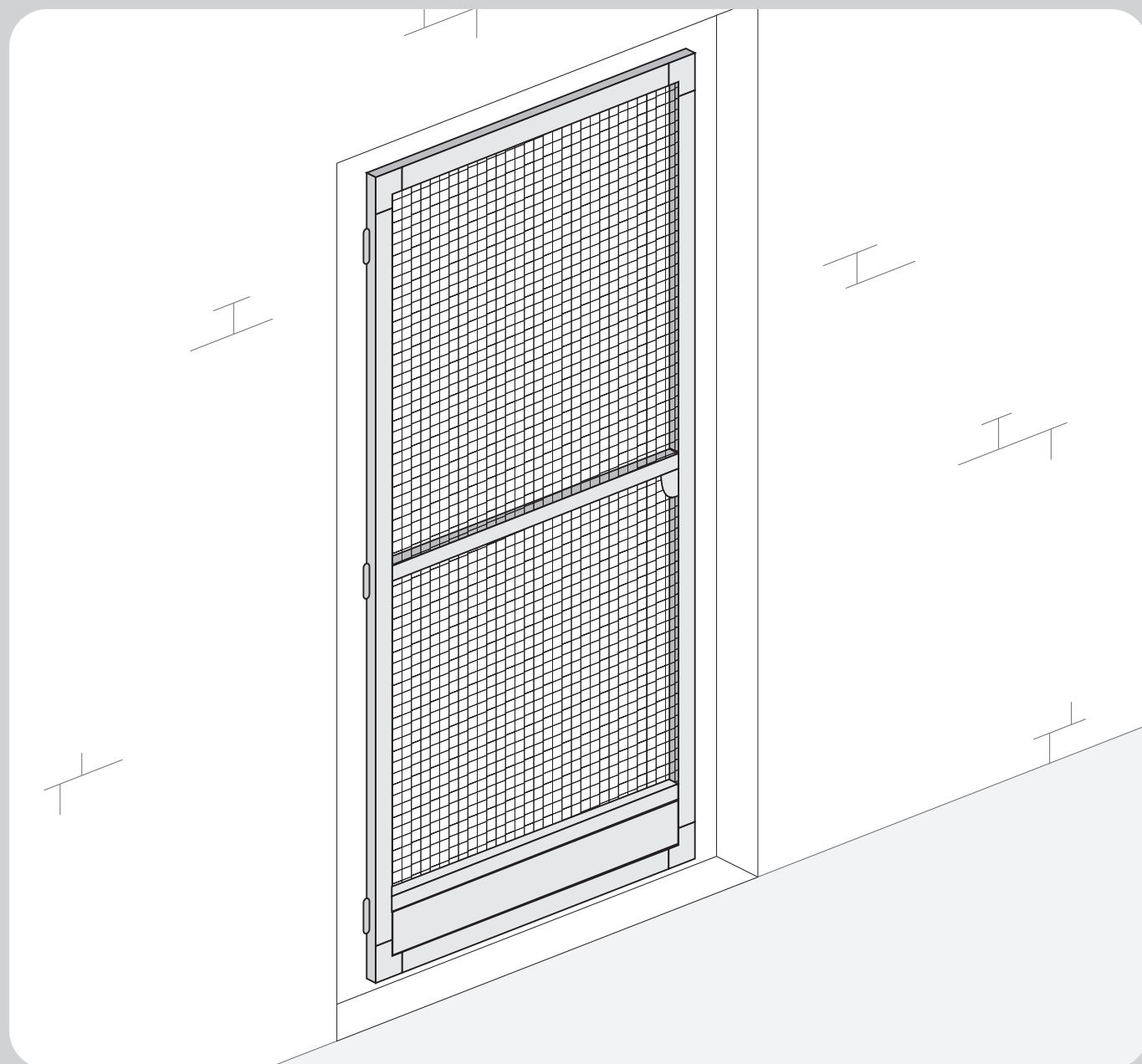
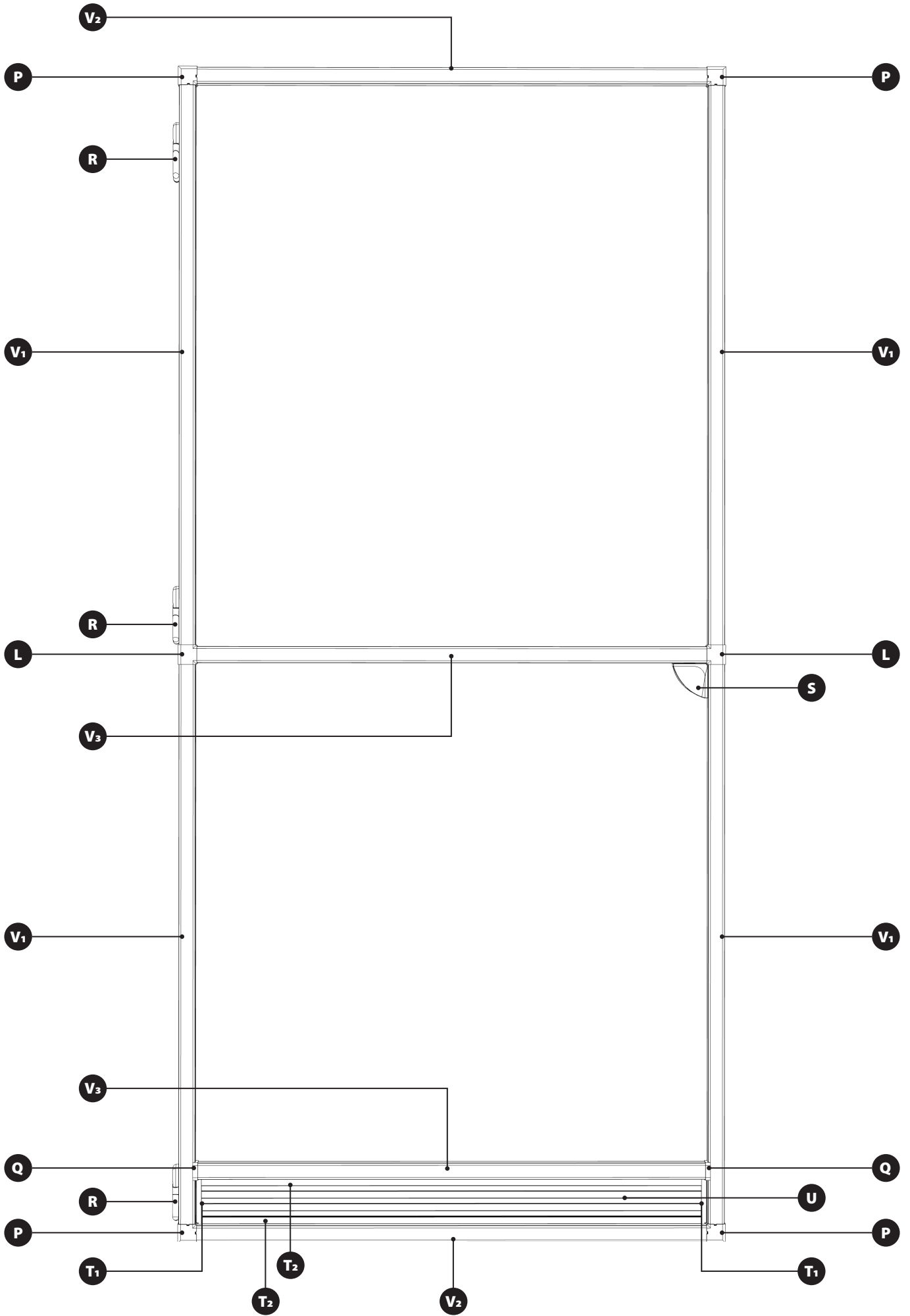
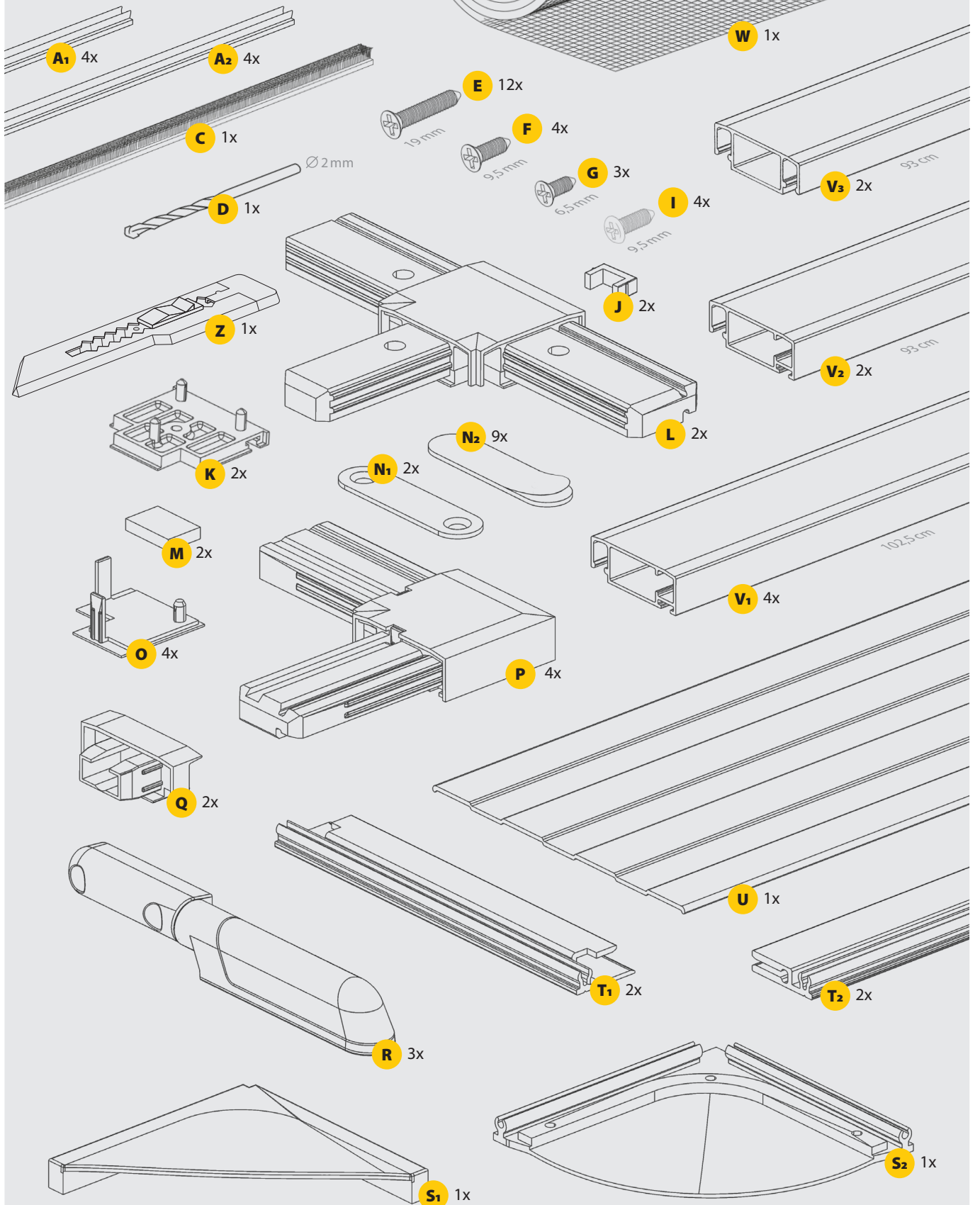
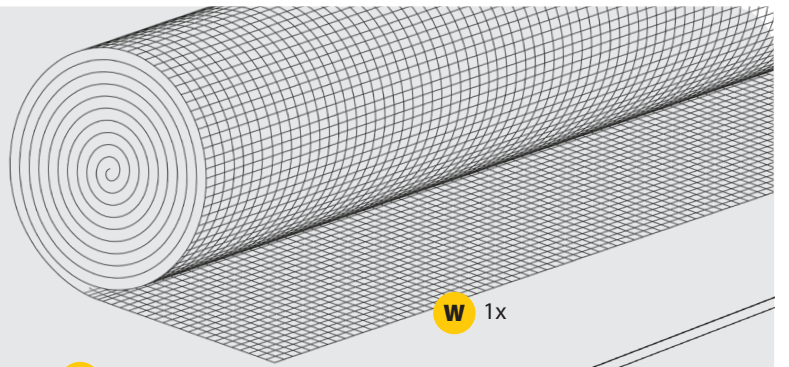


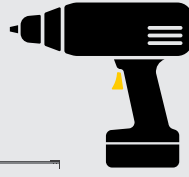
INSECTSYSTEM PREMIUM

70093, 70094, 70095, 70096

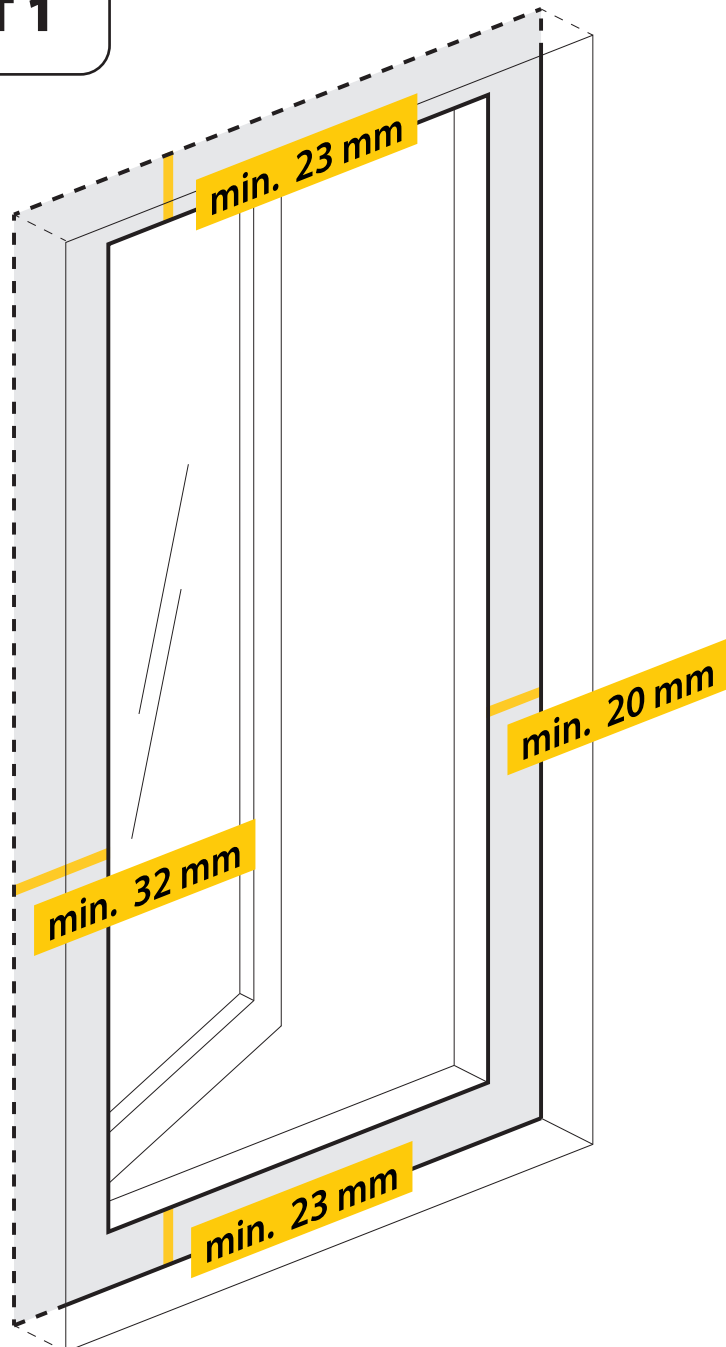








OPT 1

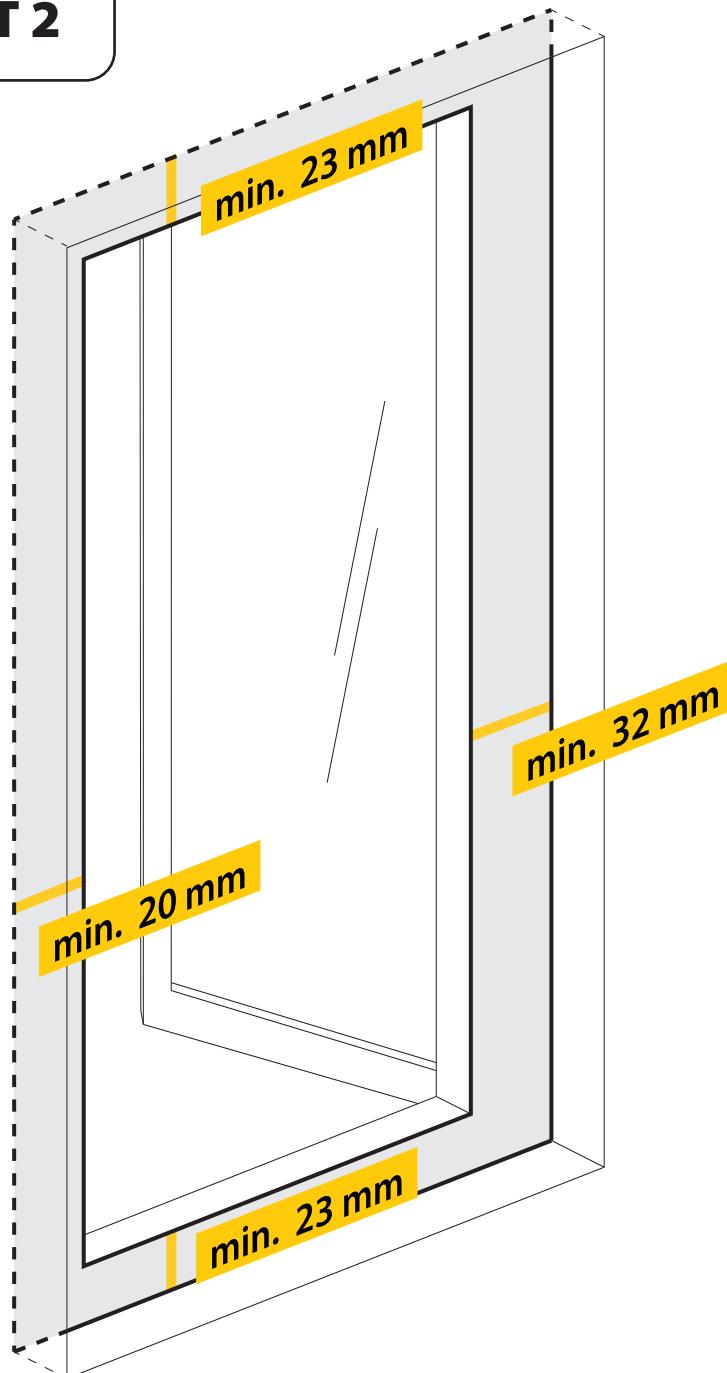




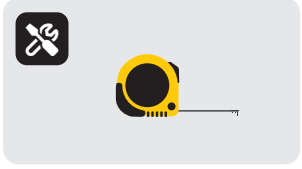
www.youtube.com/asmedien



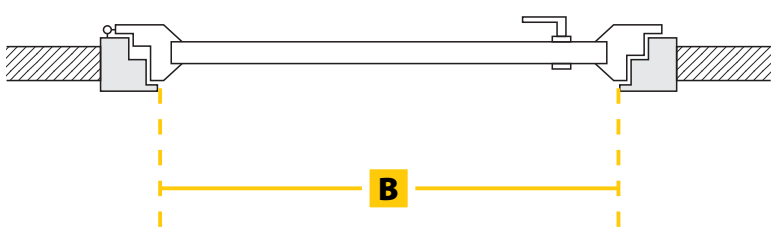
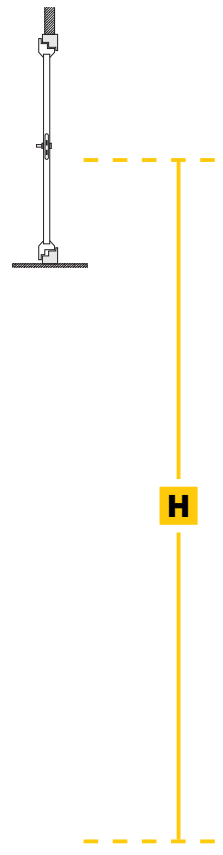
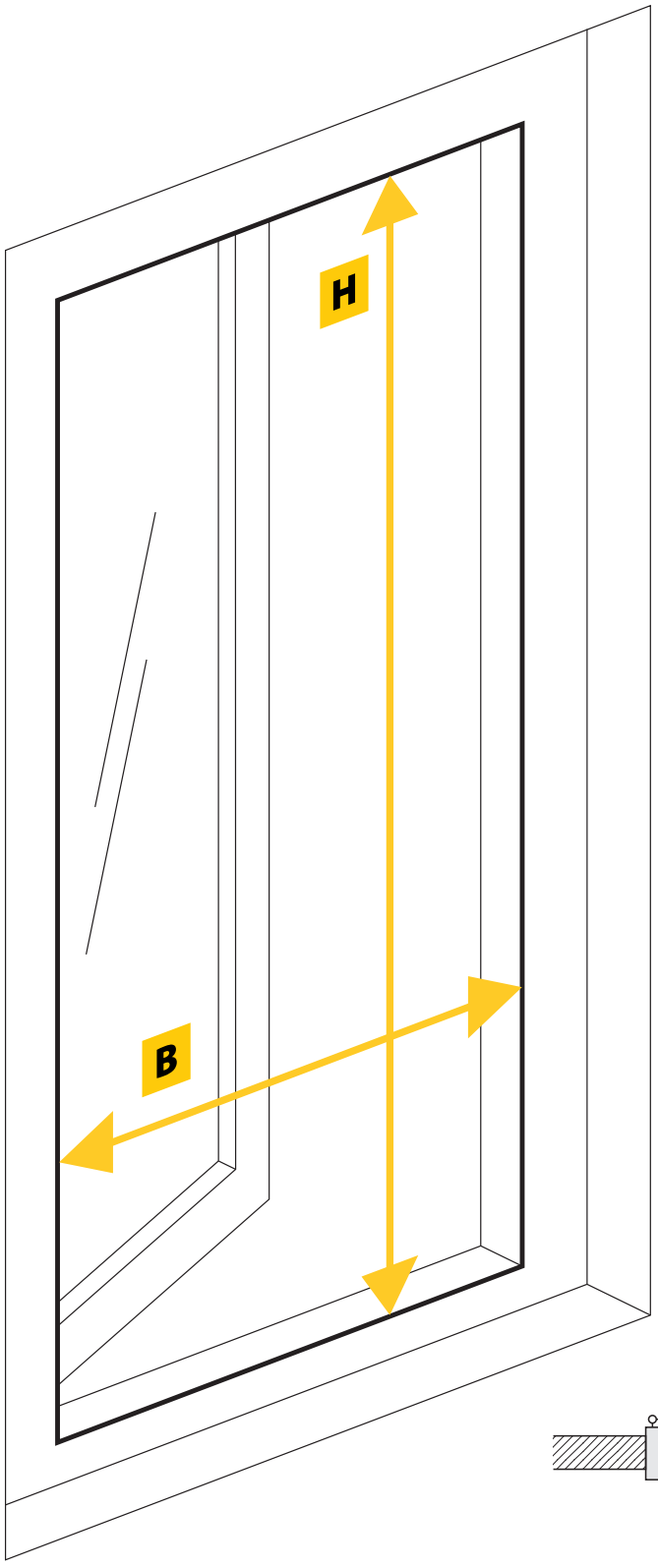
OPT 2



1



 **B** = _____ cm **H** = _____ cm





$$V_1 = (H - 6,0 \text{ cm}) : 2 = \underline{\hspace{2cm}} \text{ cm}$$



$$V_2 = B - 3,0 \text{ cm} = \underline{\hspace{2cm}} \text{ cm}$$



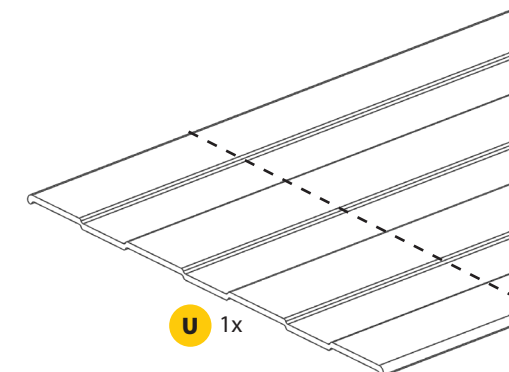
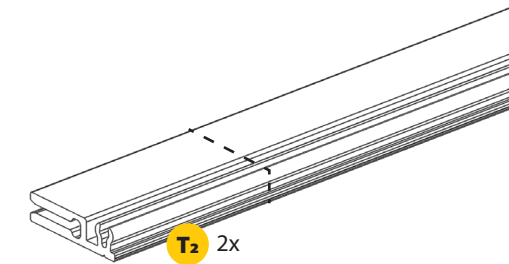
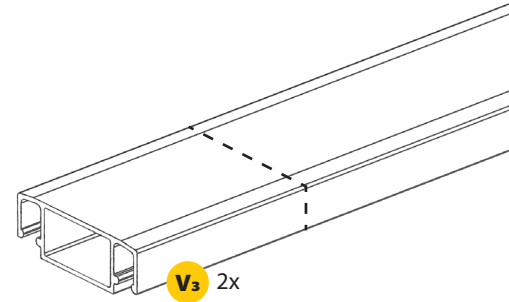
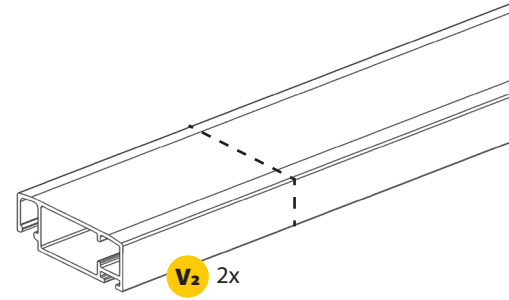
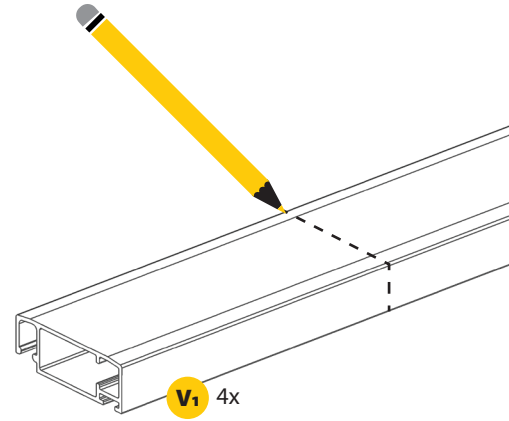
$$V_3 = B - 3,0 \text{ cm} = \underline{\hspace{2cm}} \text{ cm}$$

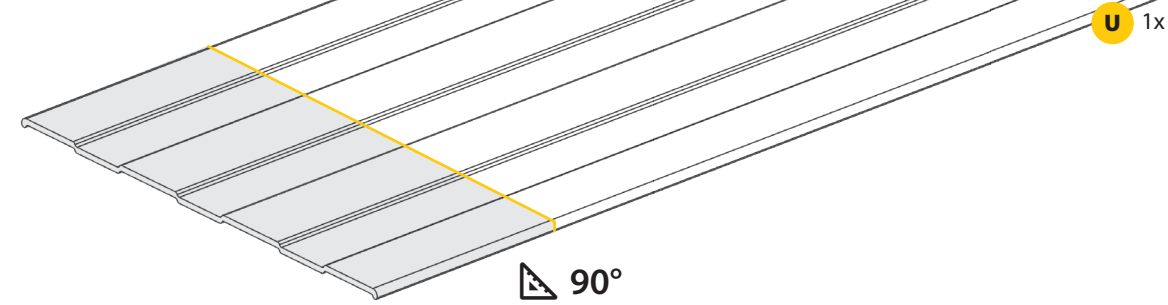
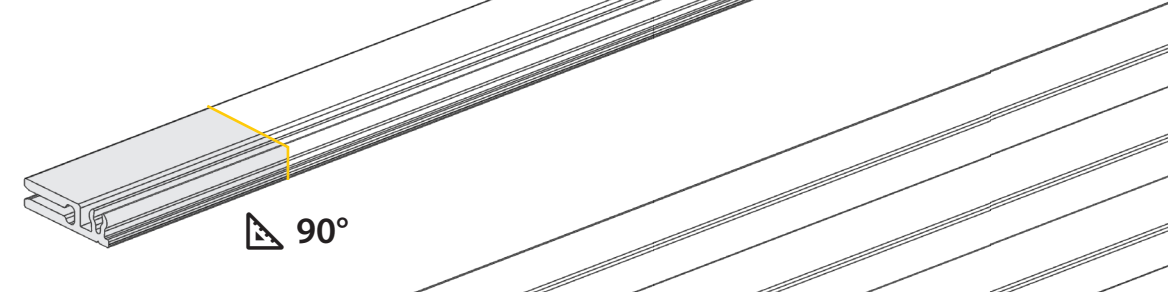
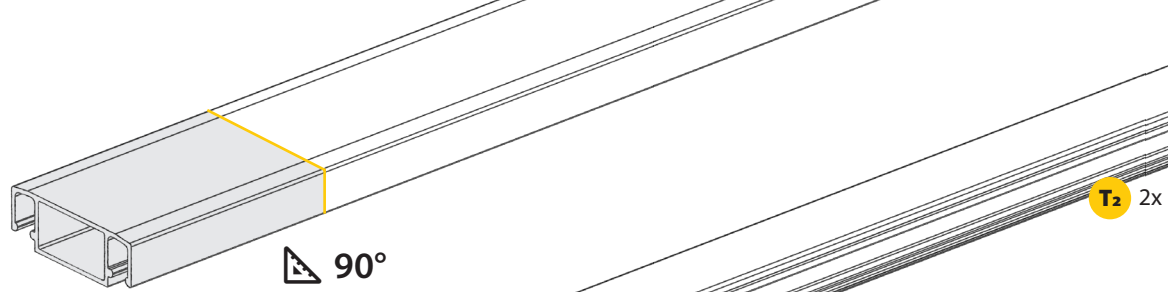
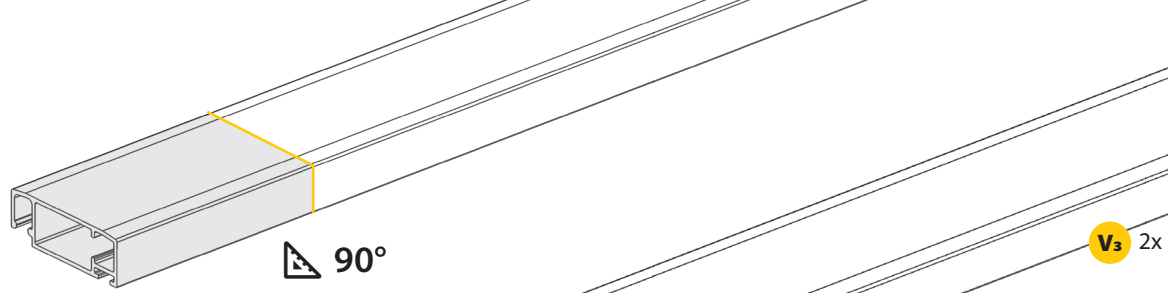
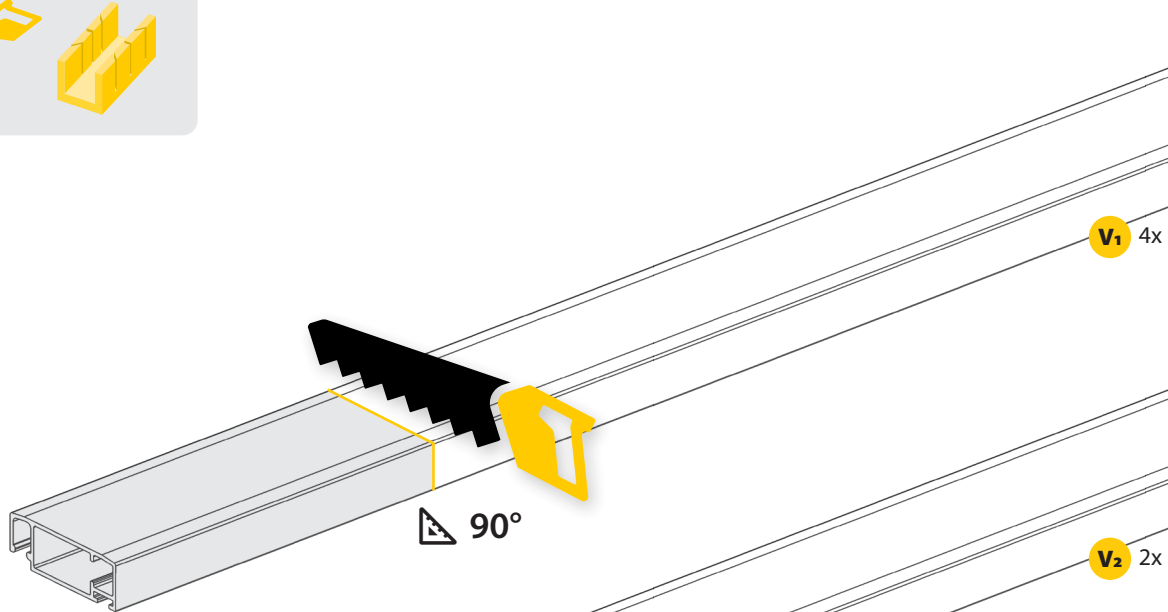
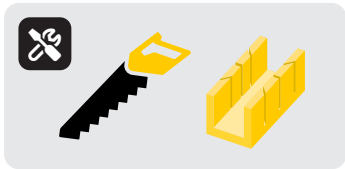


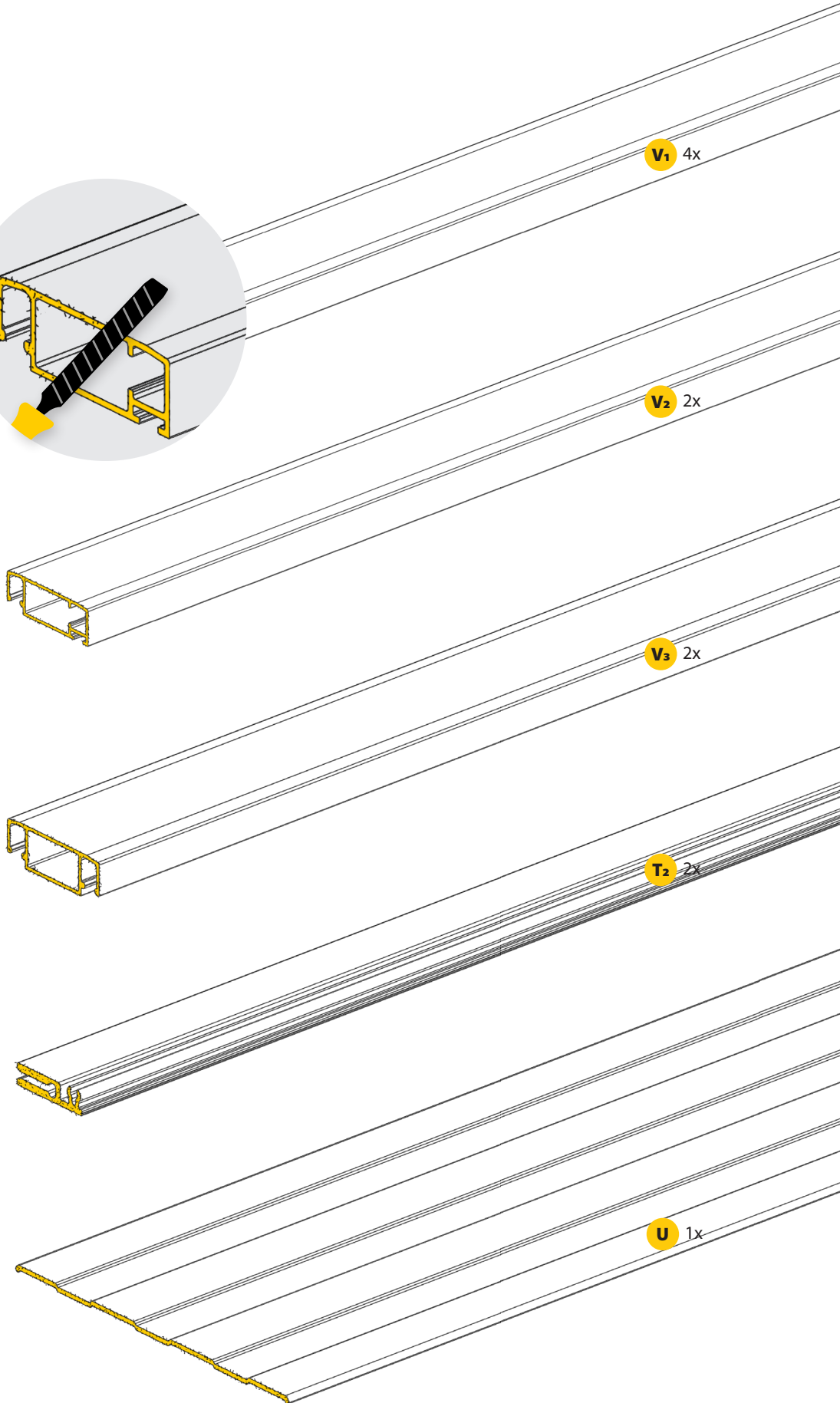
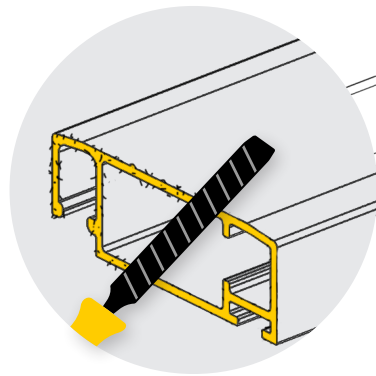
$$T_2 = B - 4,8 \text{ cm} = \underline{\hspace{2cm}} \text{ cm}$$



$$U = B - 3,0 \text{ cm} = \underline{\hspace{2cm}} \text{ cm}$$

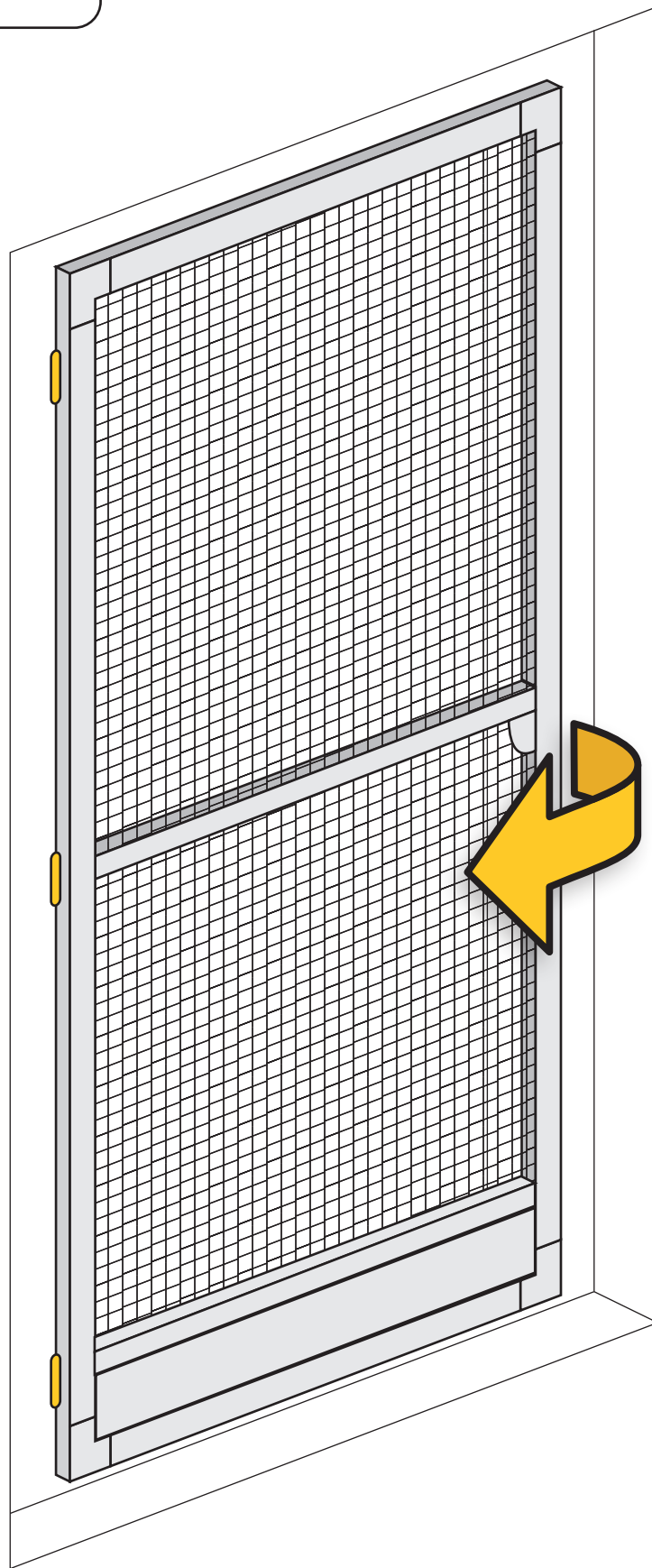






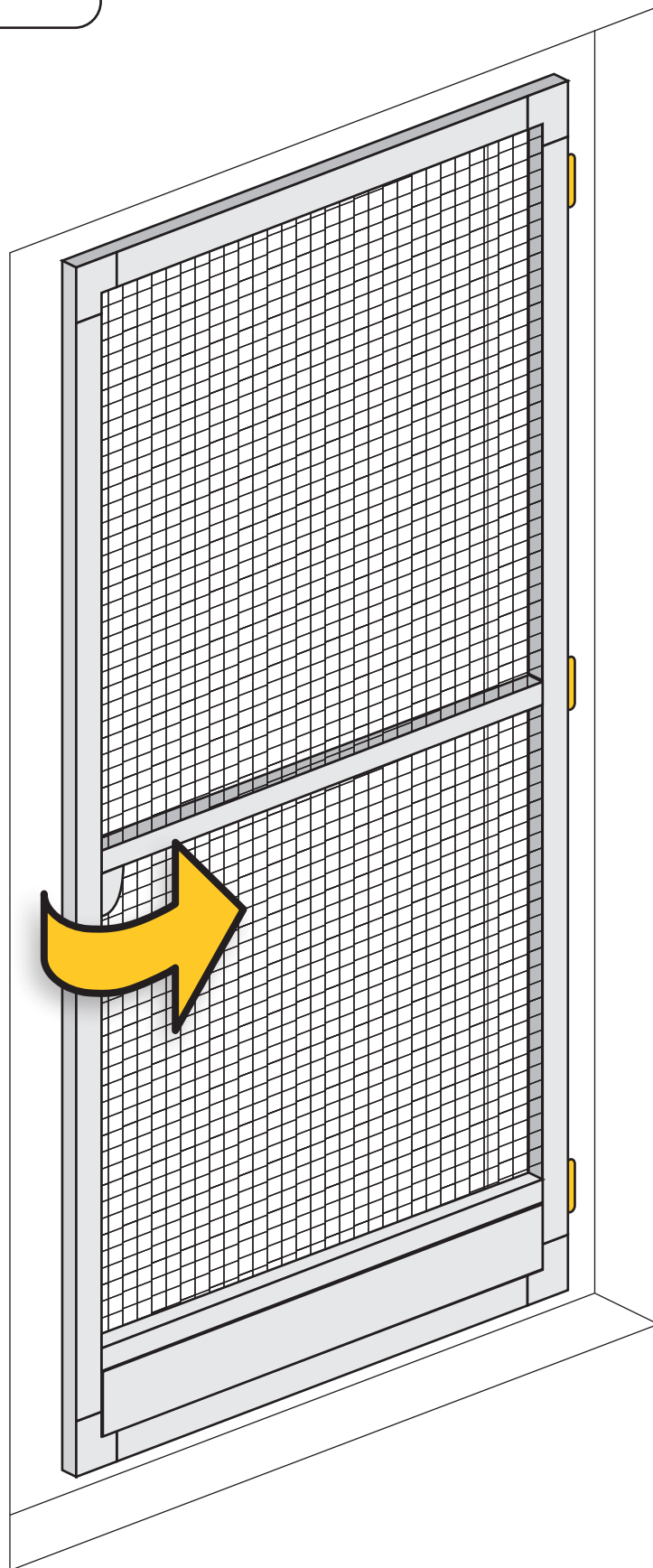


OPT 1

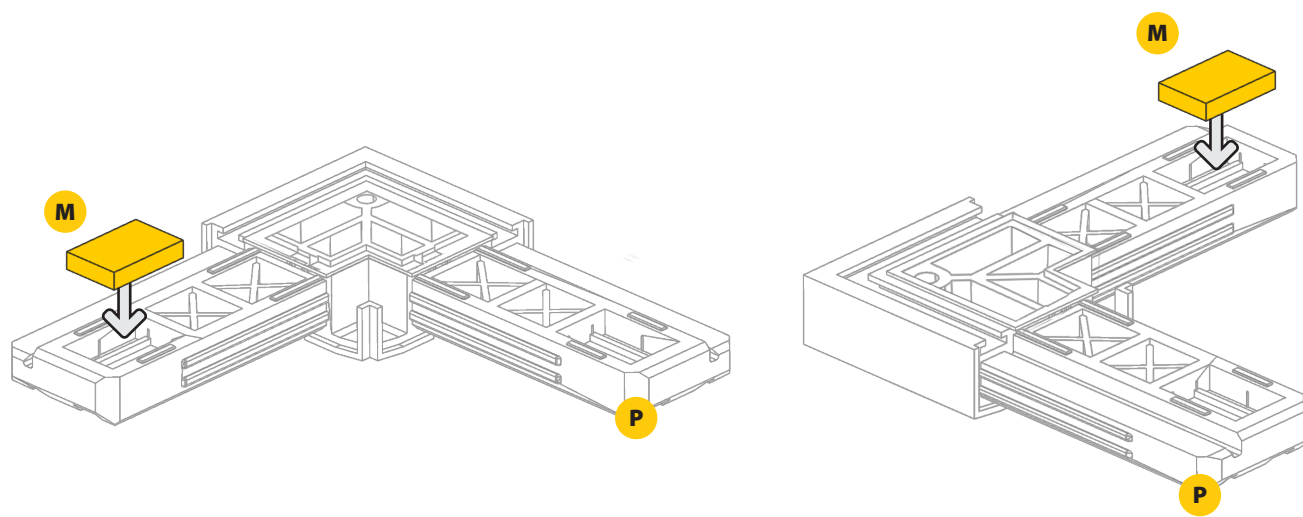




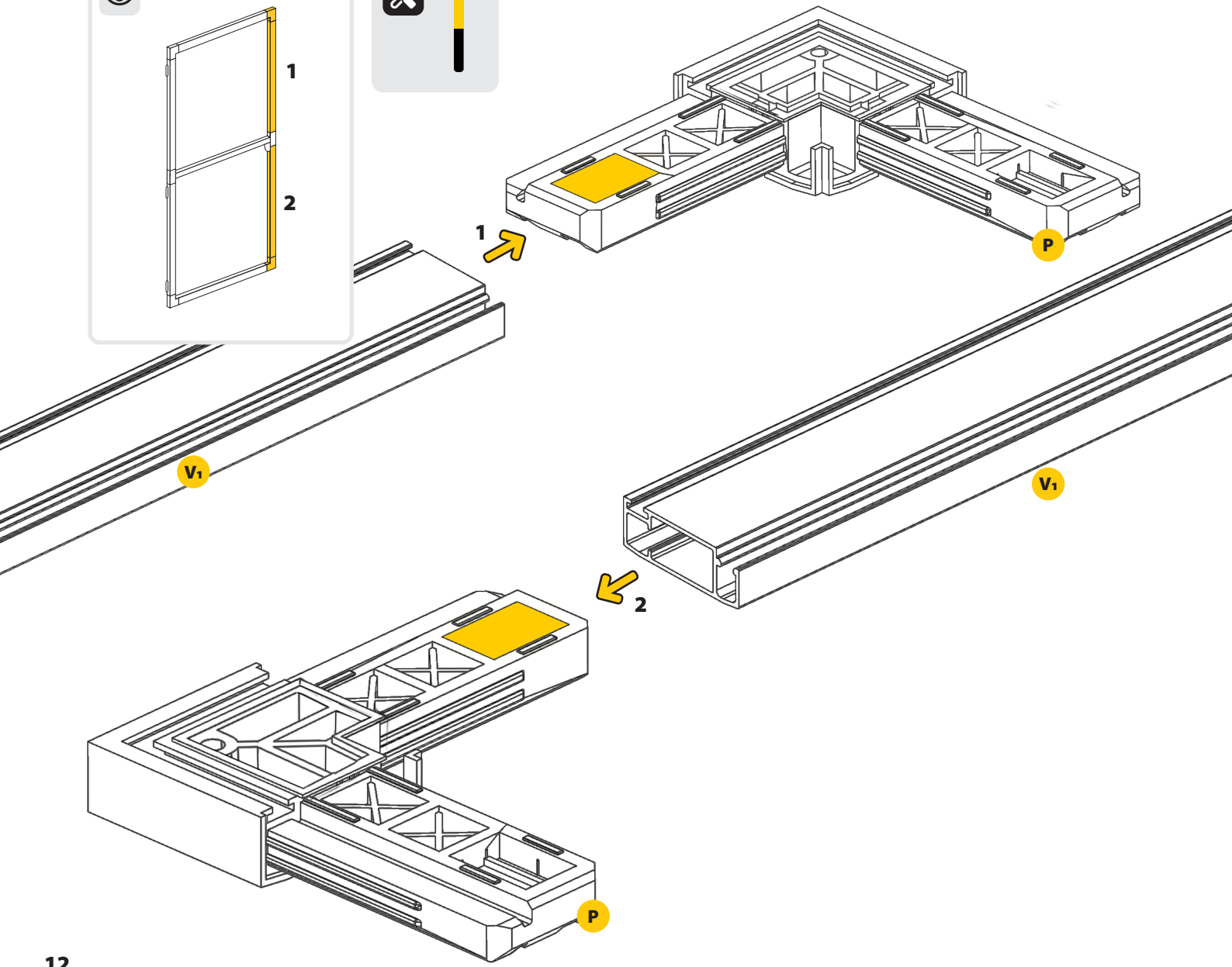
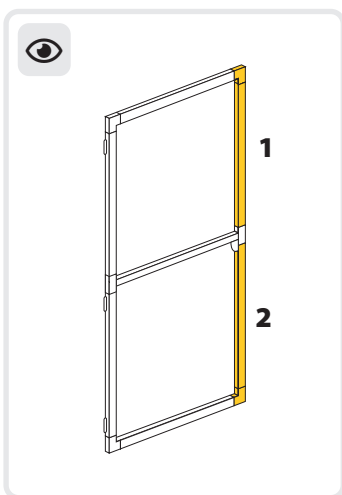
OPT 2



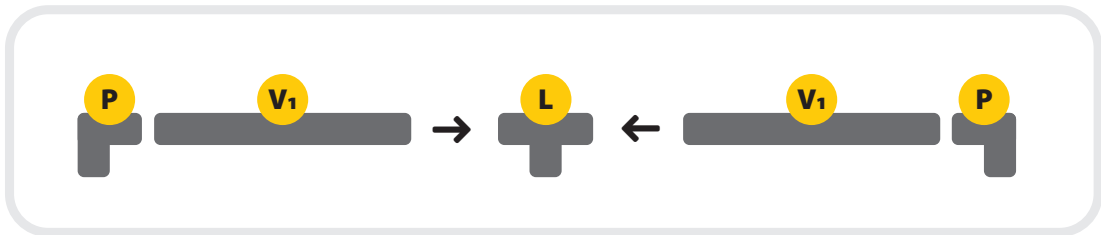
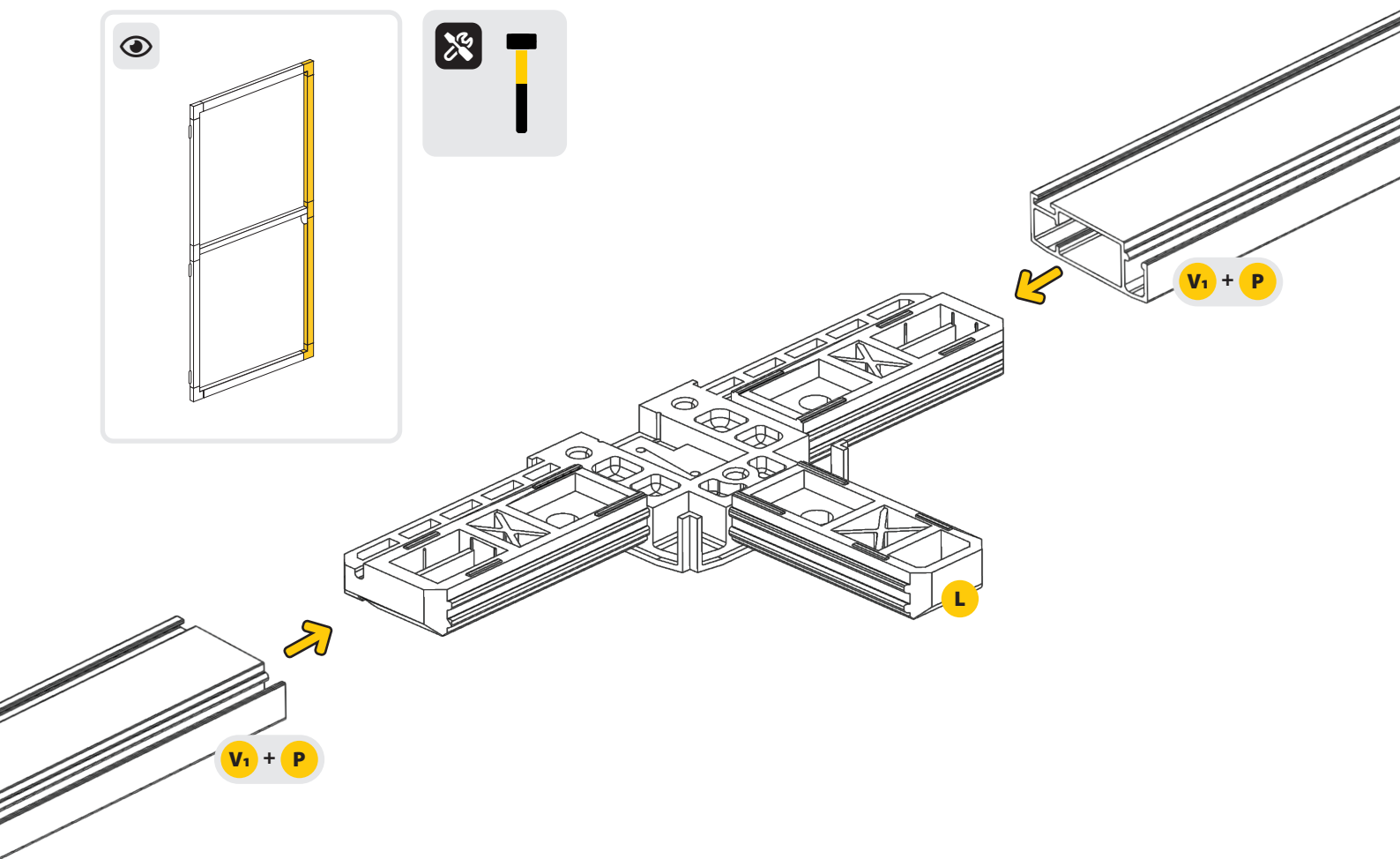
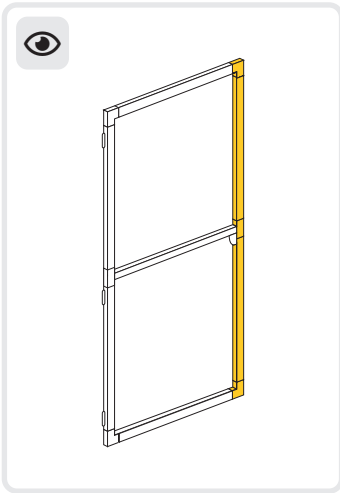
5 OPT 1



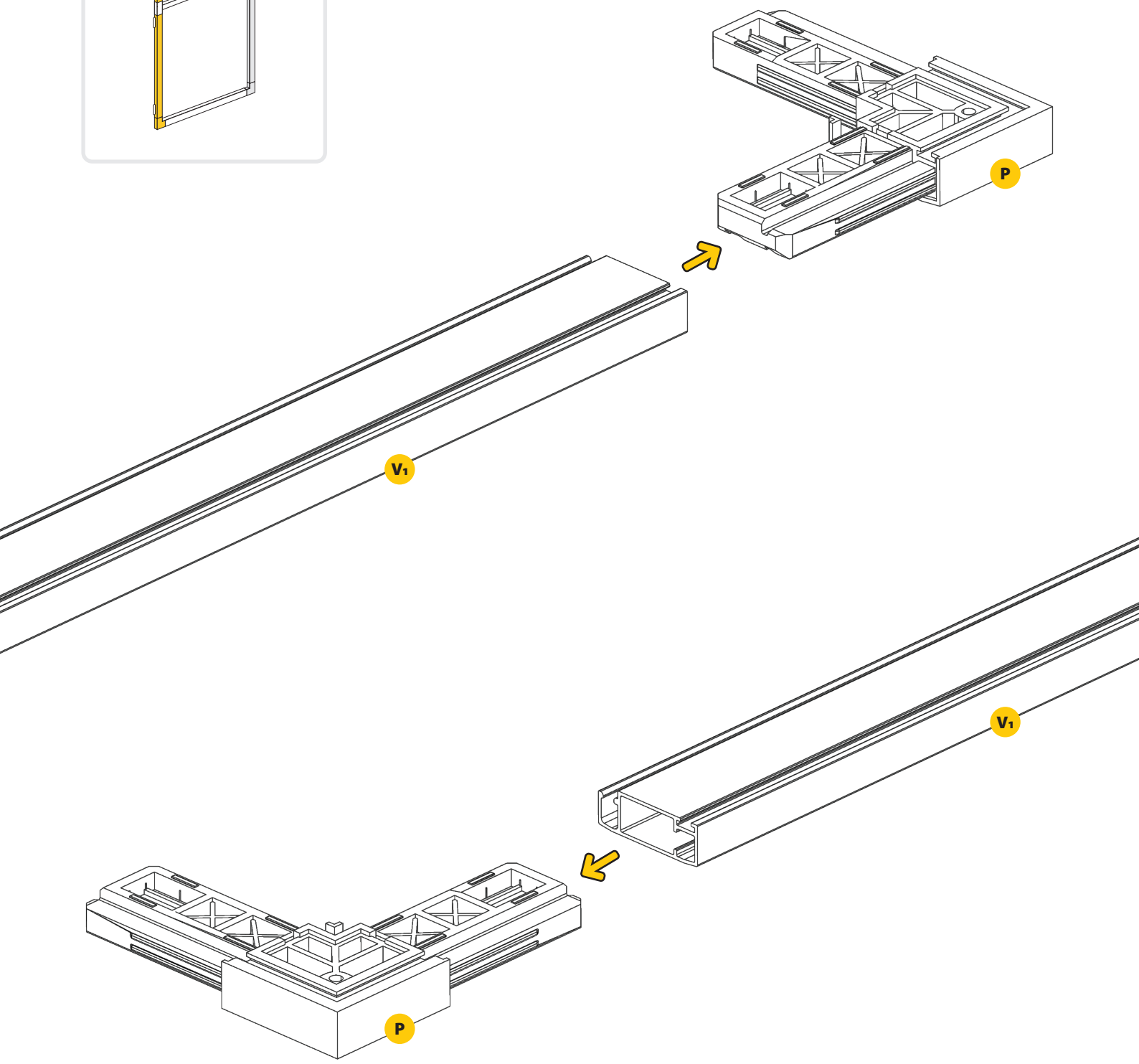
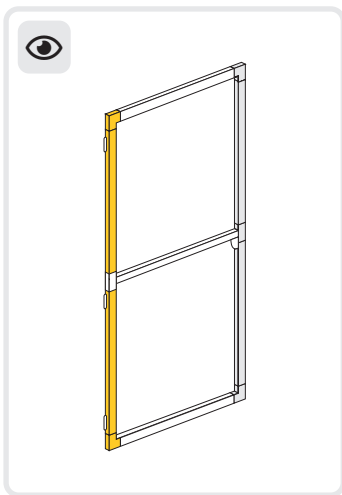
6 OPT 1



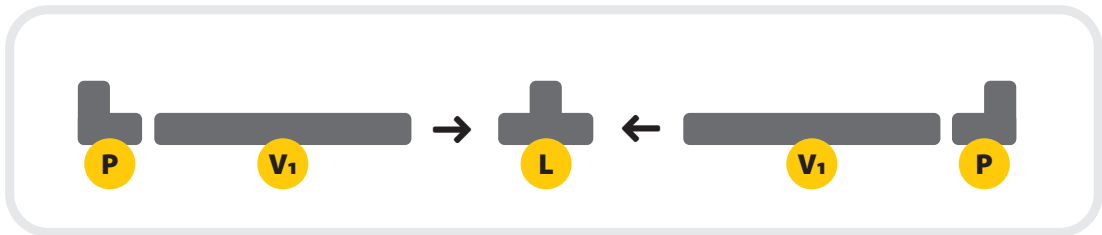
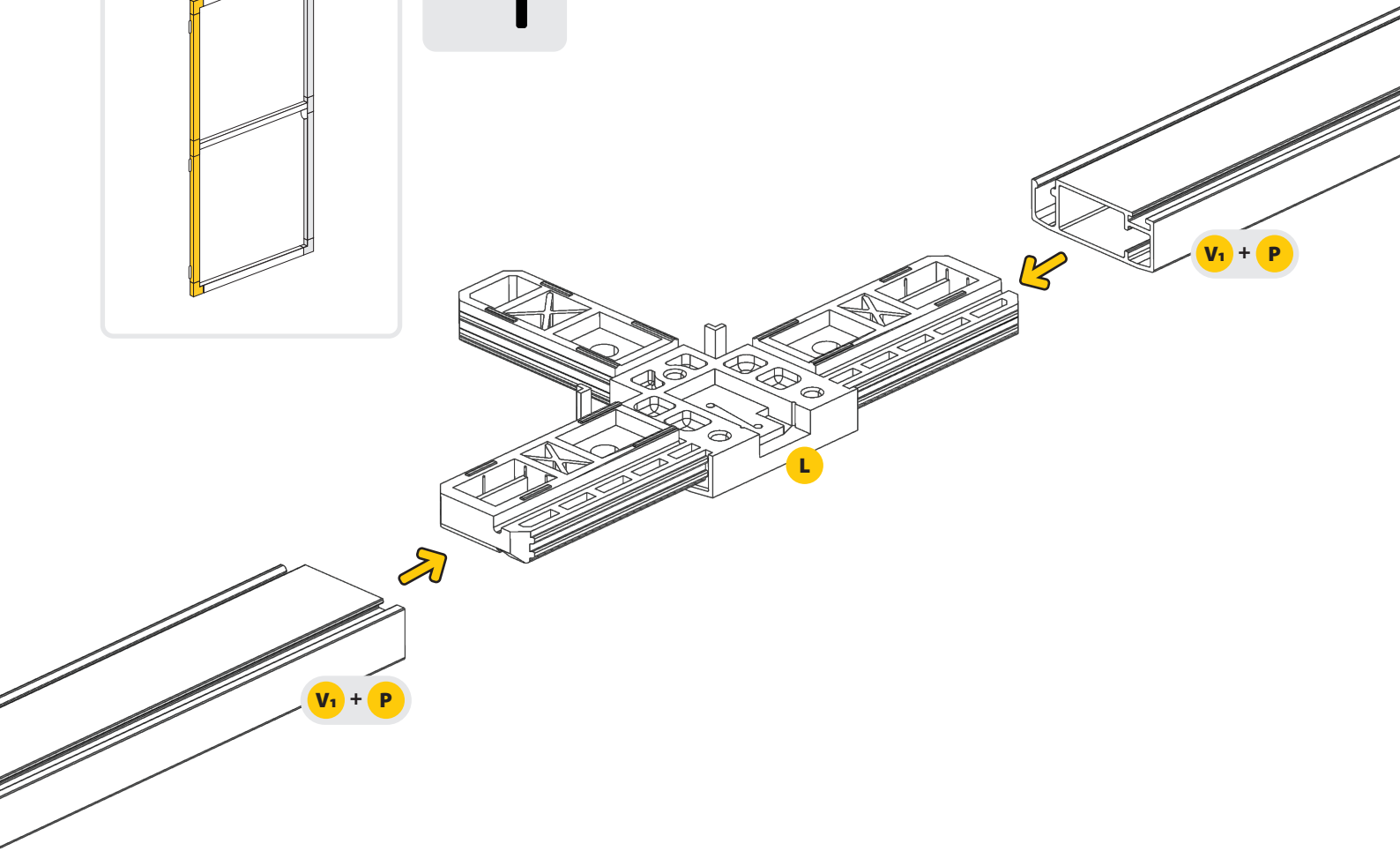
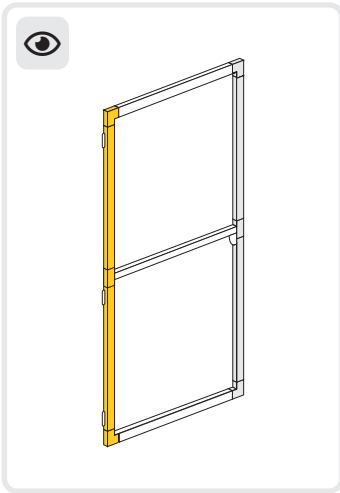
7 OPT 1



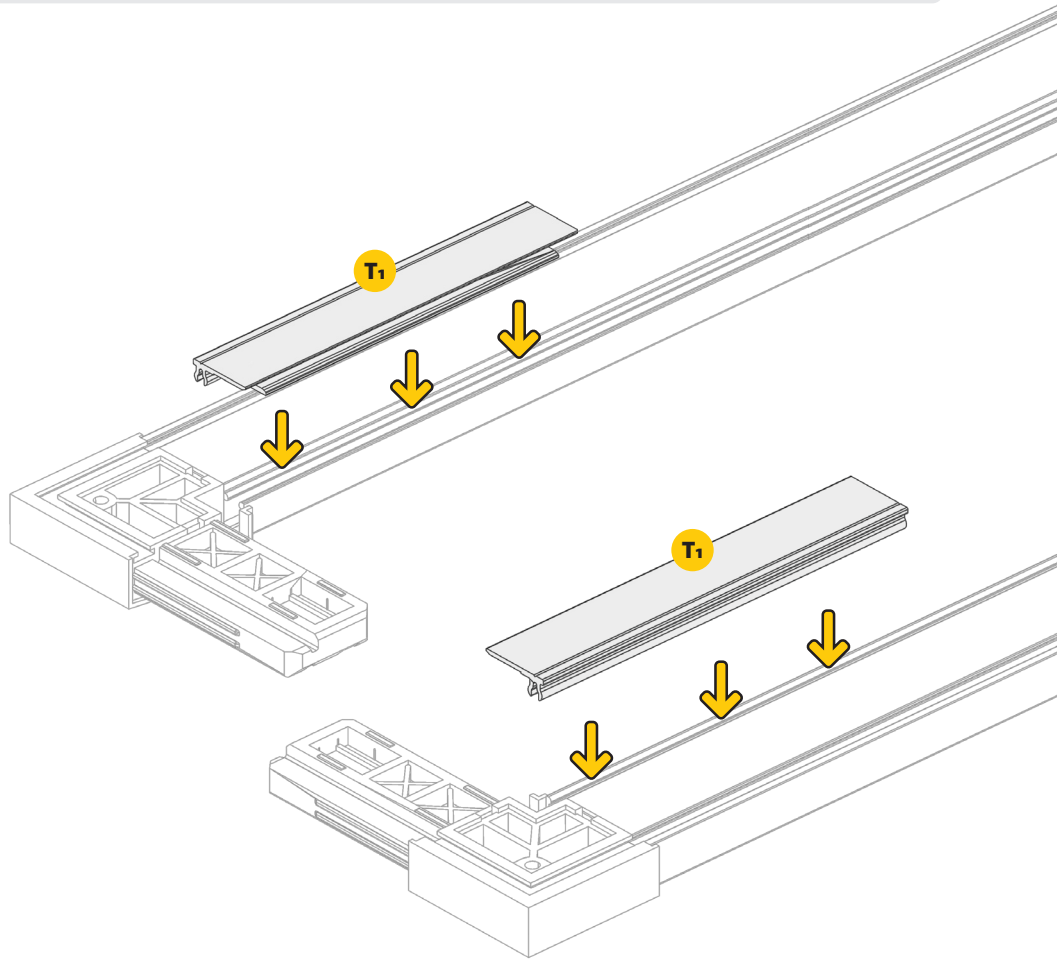
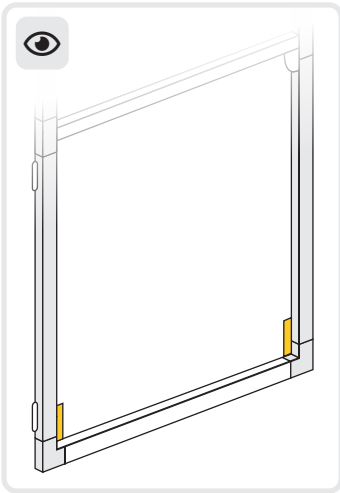
8 OPT 1



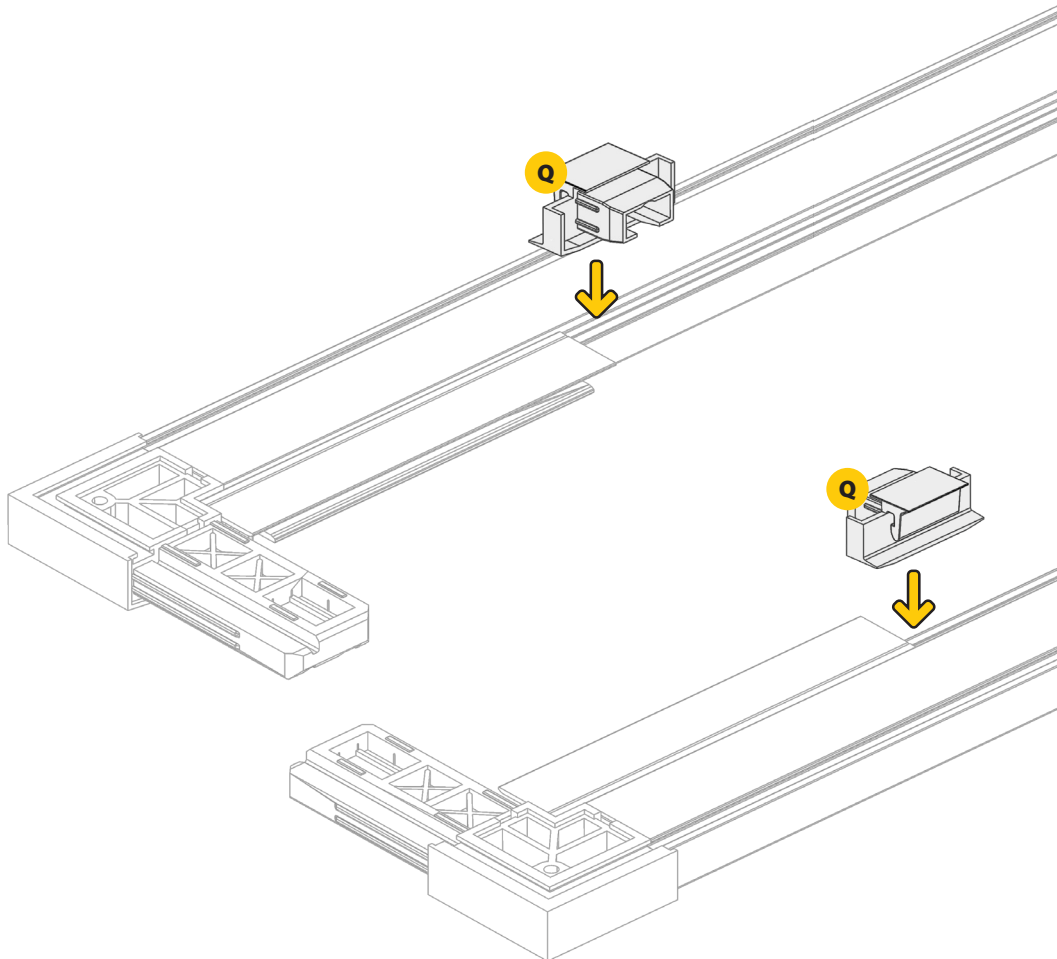
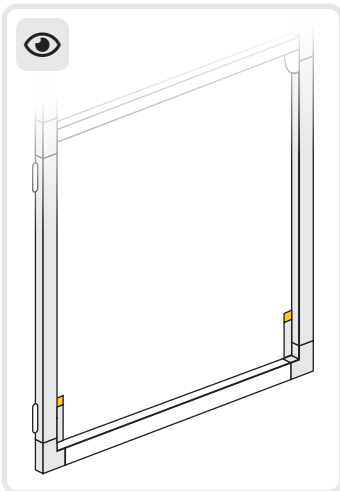
9 OPT 1



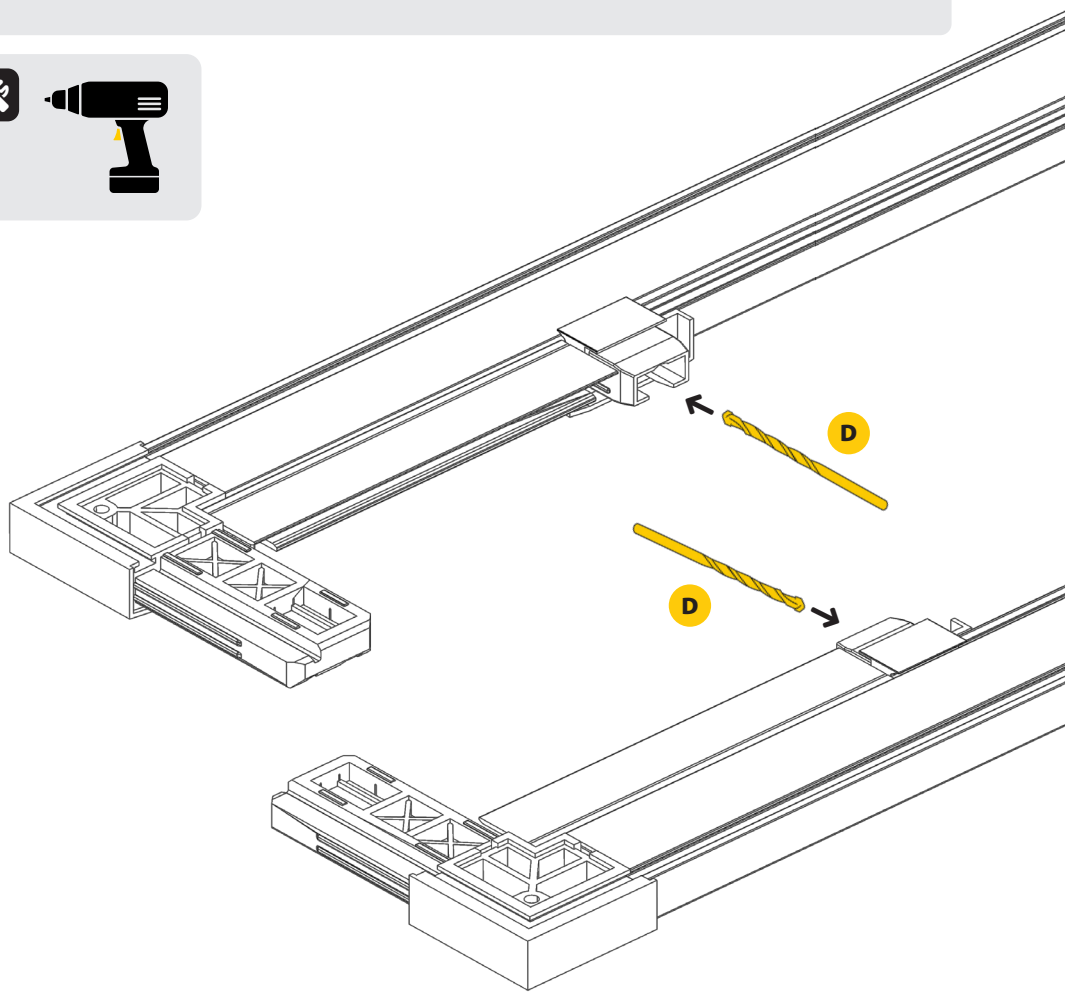
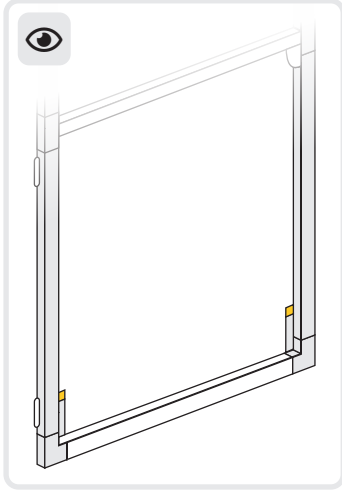
10 OPT 1



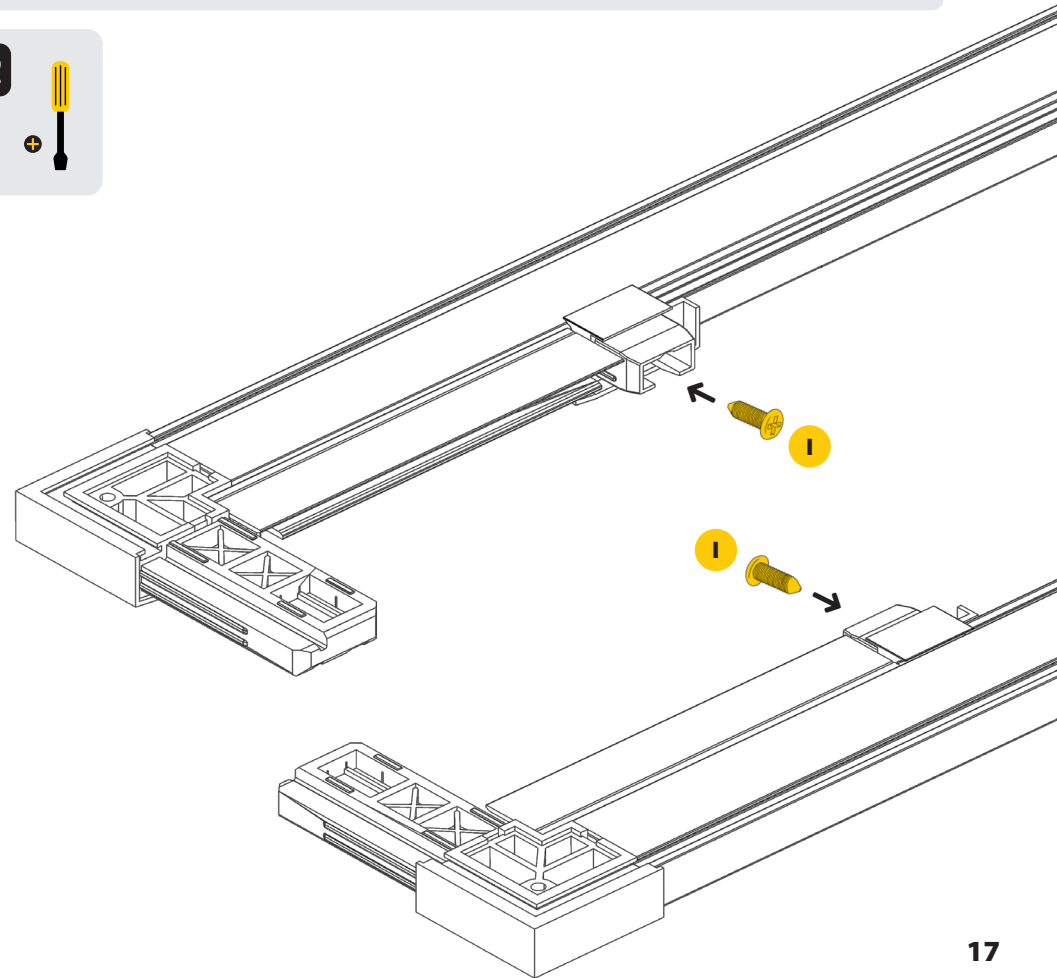
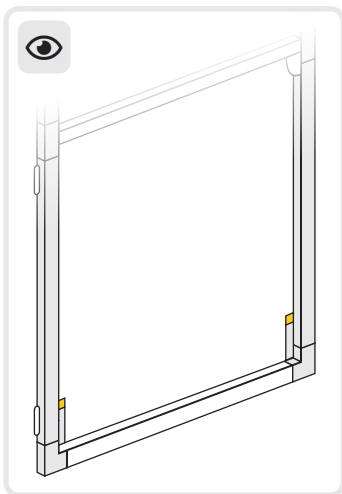
11 OPT 1

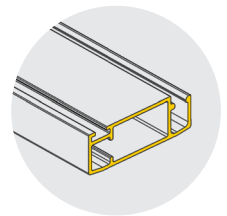
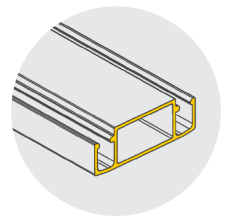
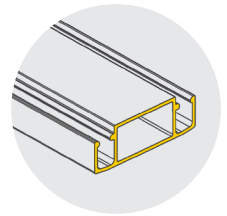
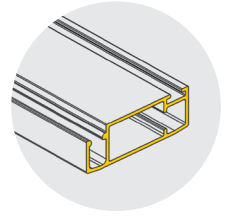
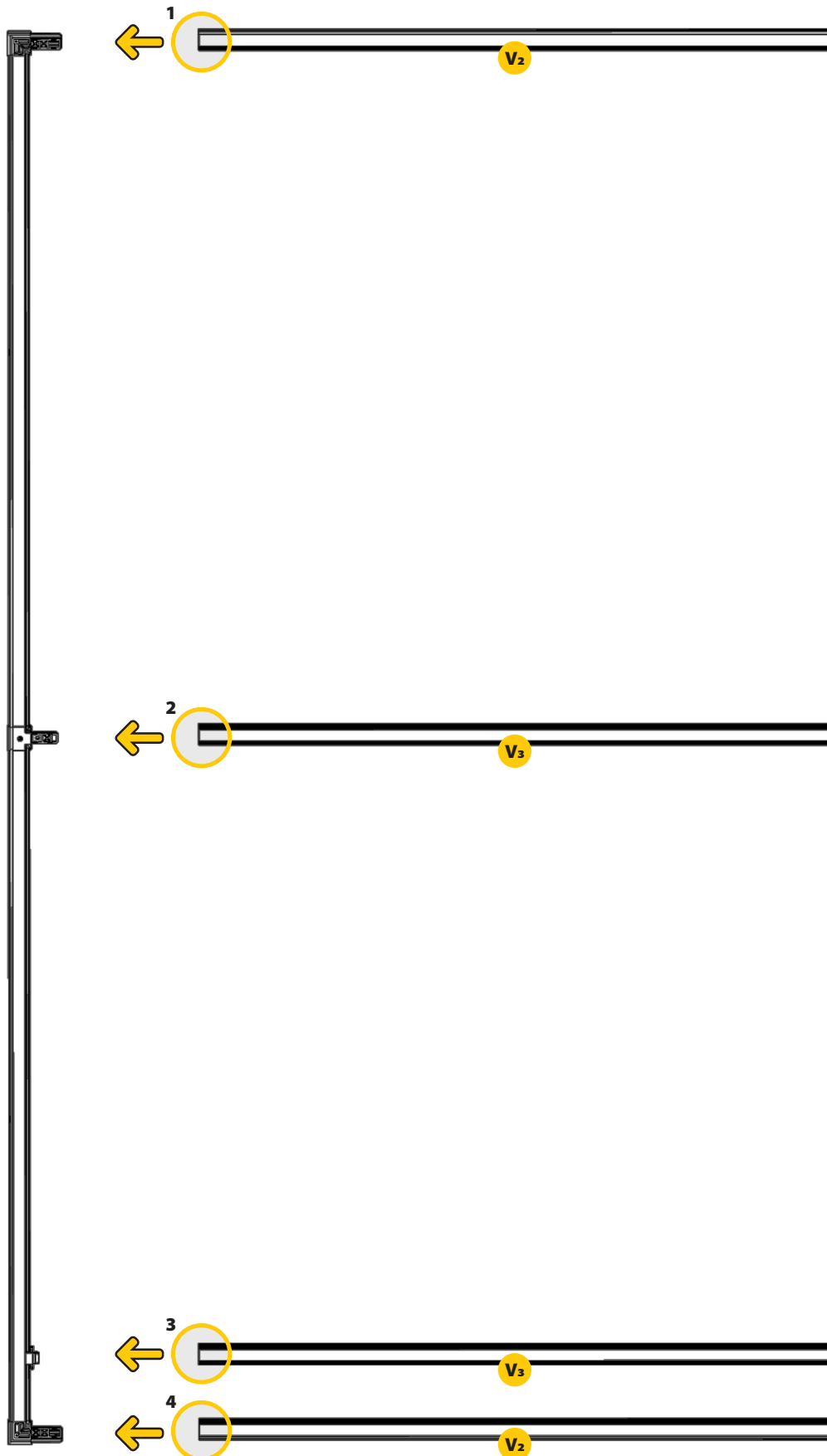


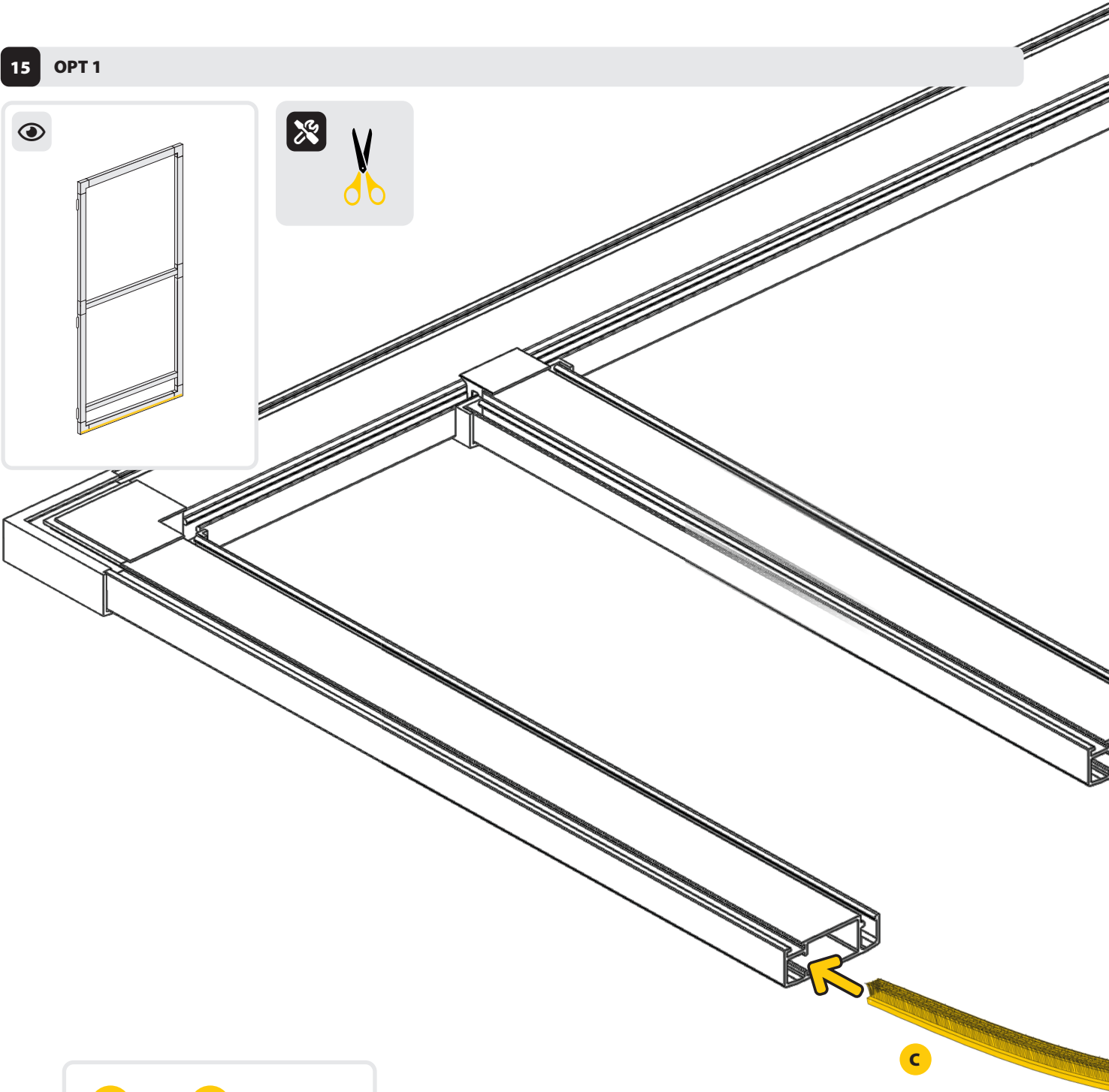
12 OPT 1



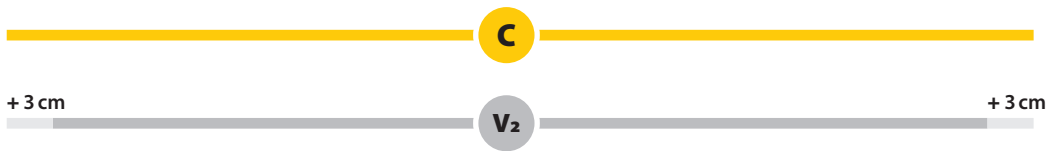
13 OPT 1

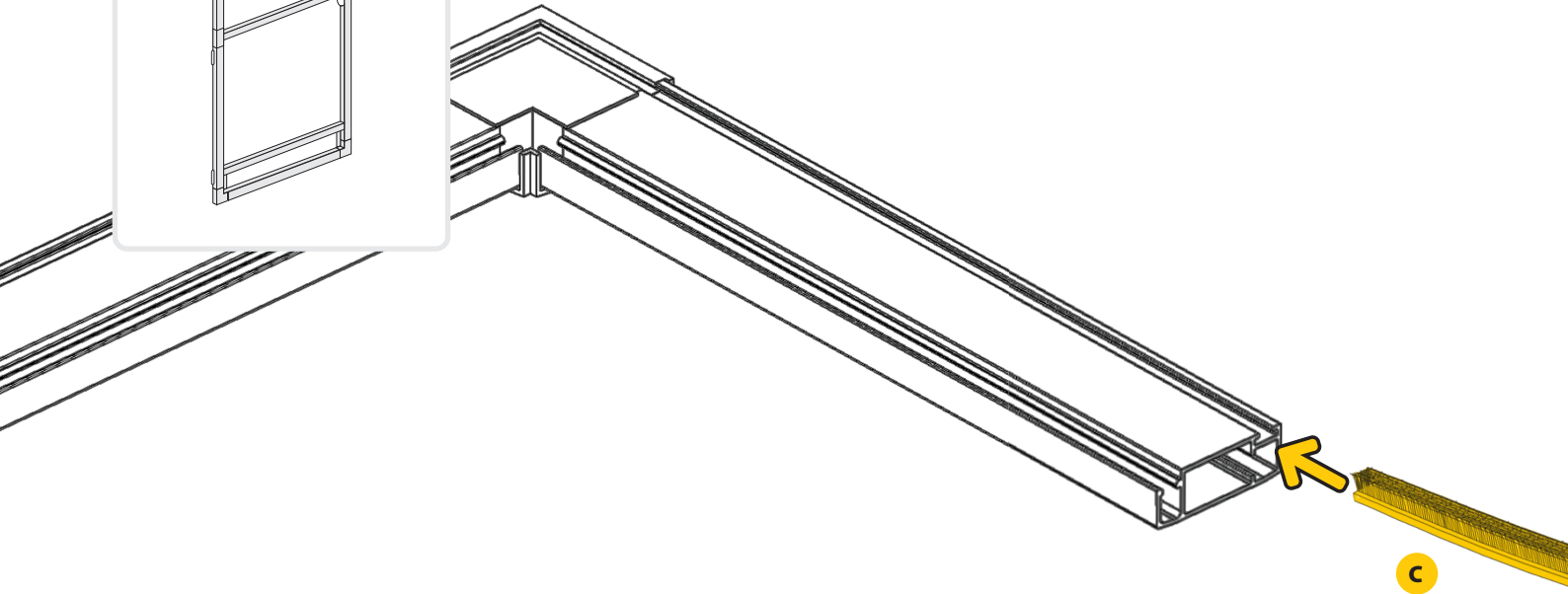




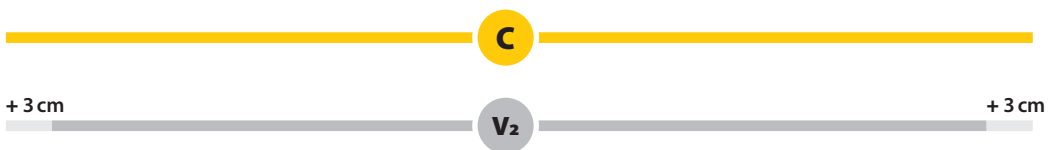


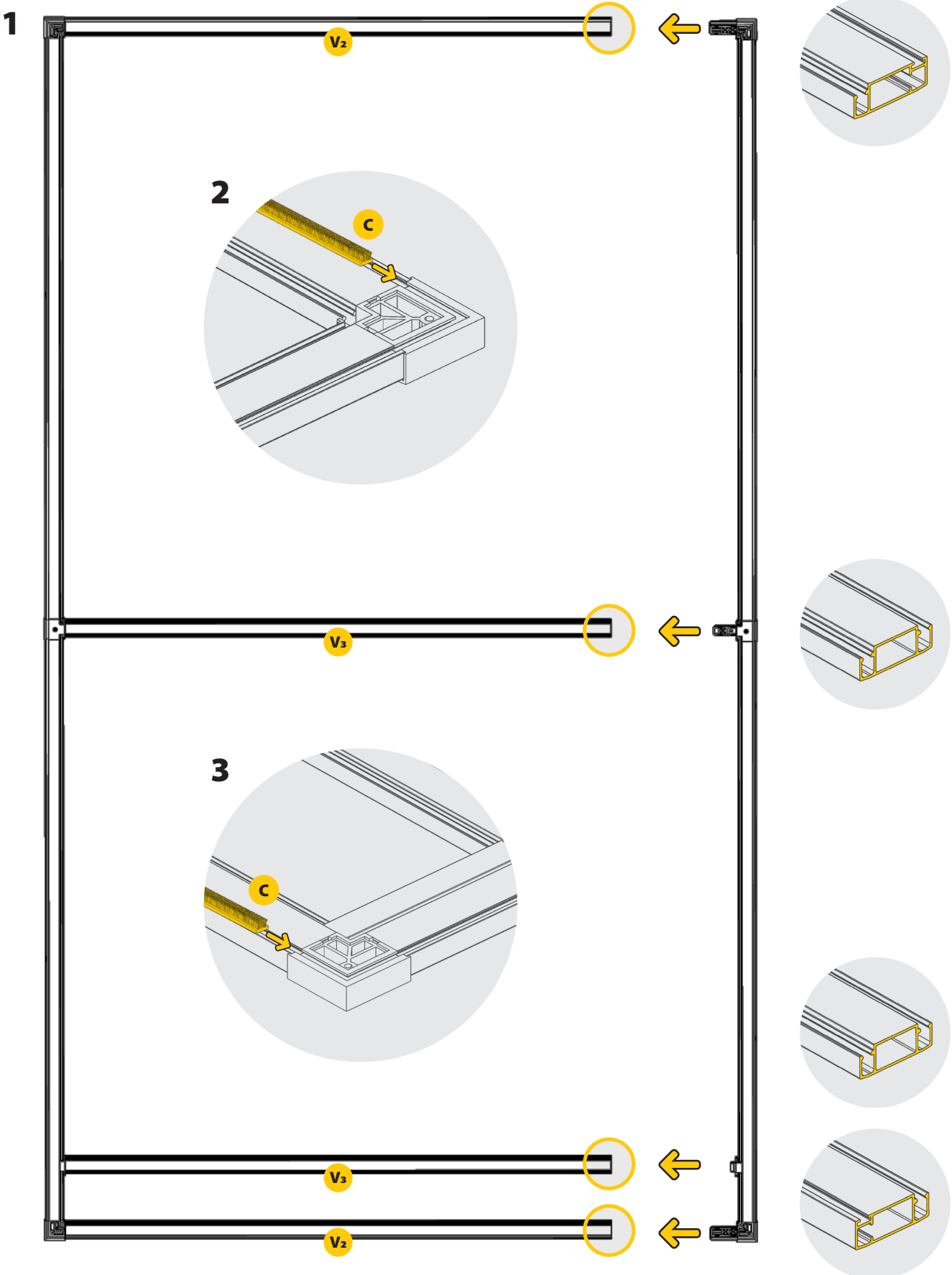
$$c = v_2 + 6 \text{ cm}$$



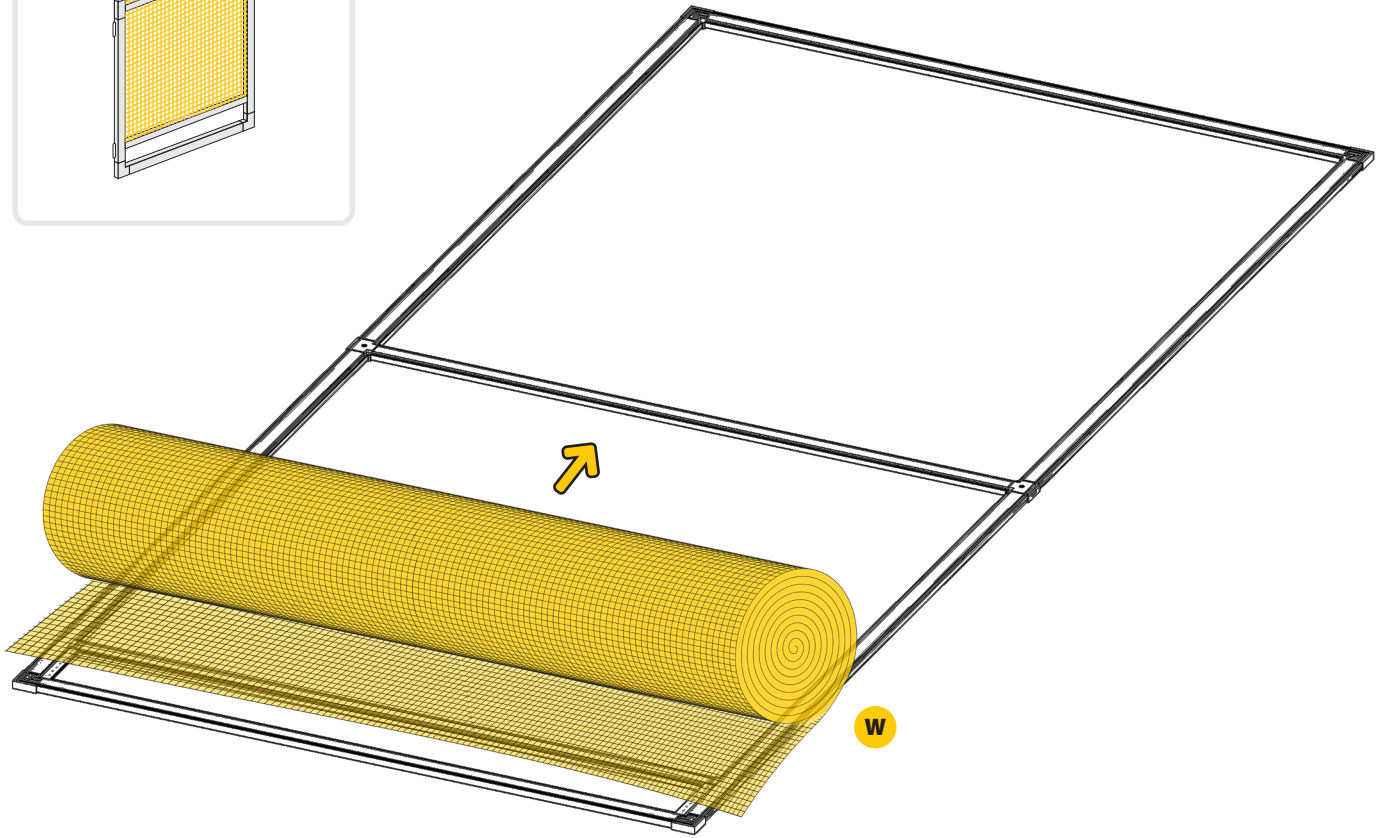
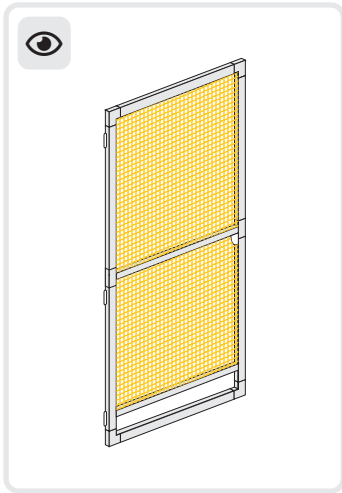


$$c = v_2 + 6 \text{ cm}$$

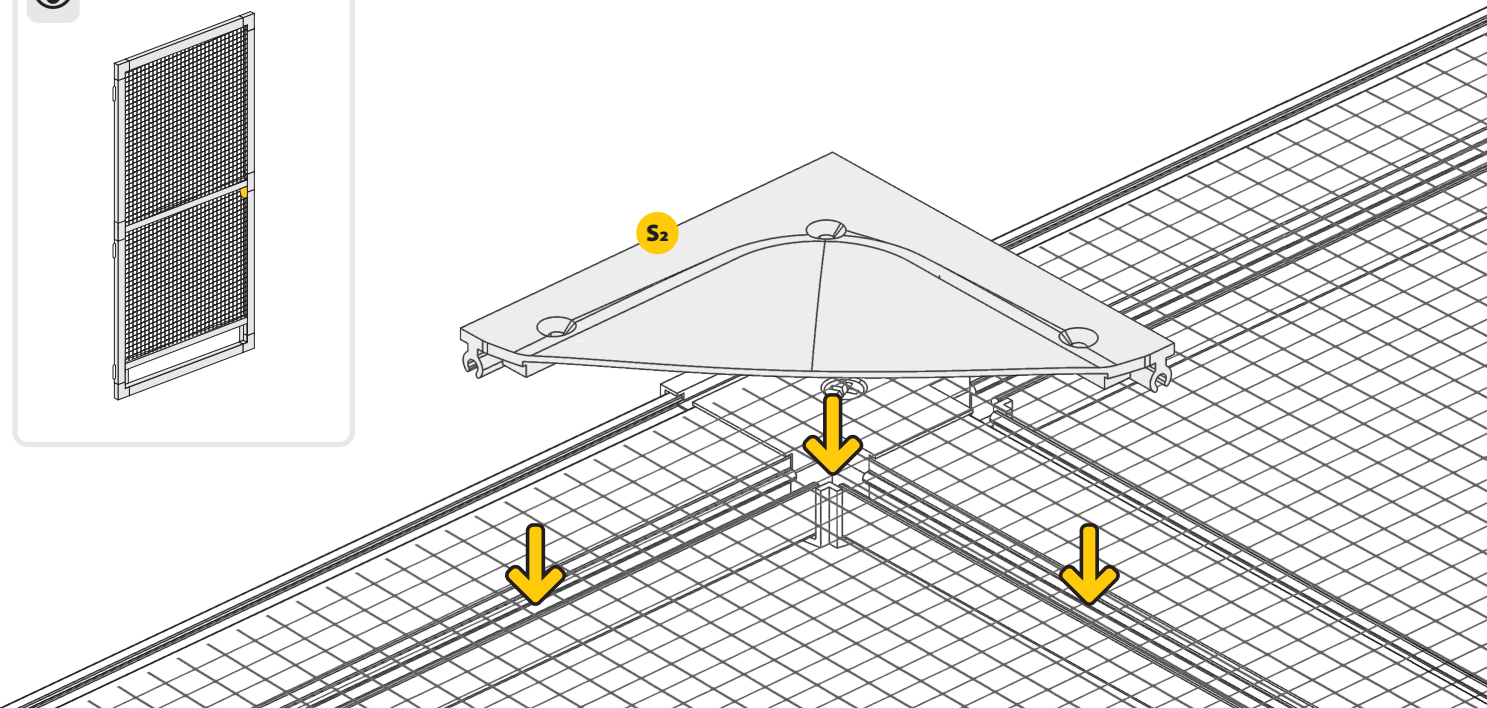
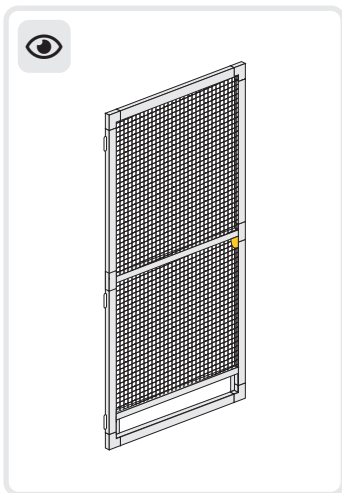


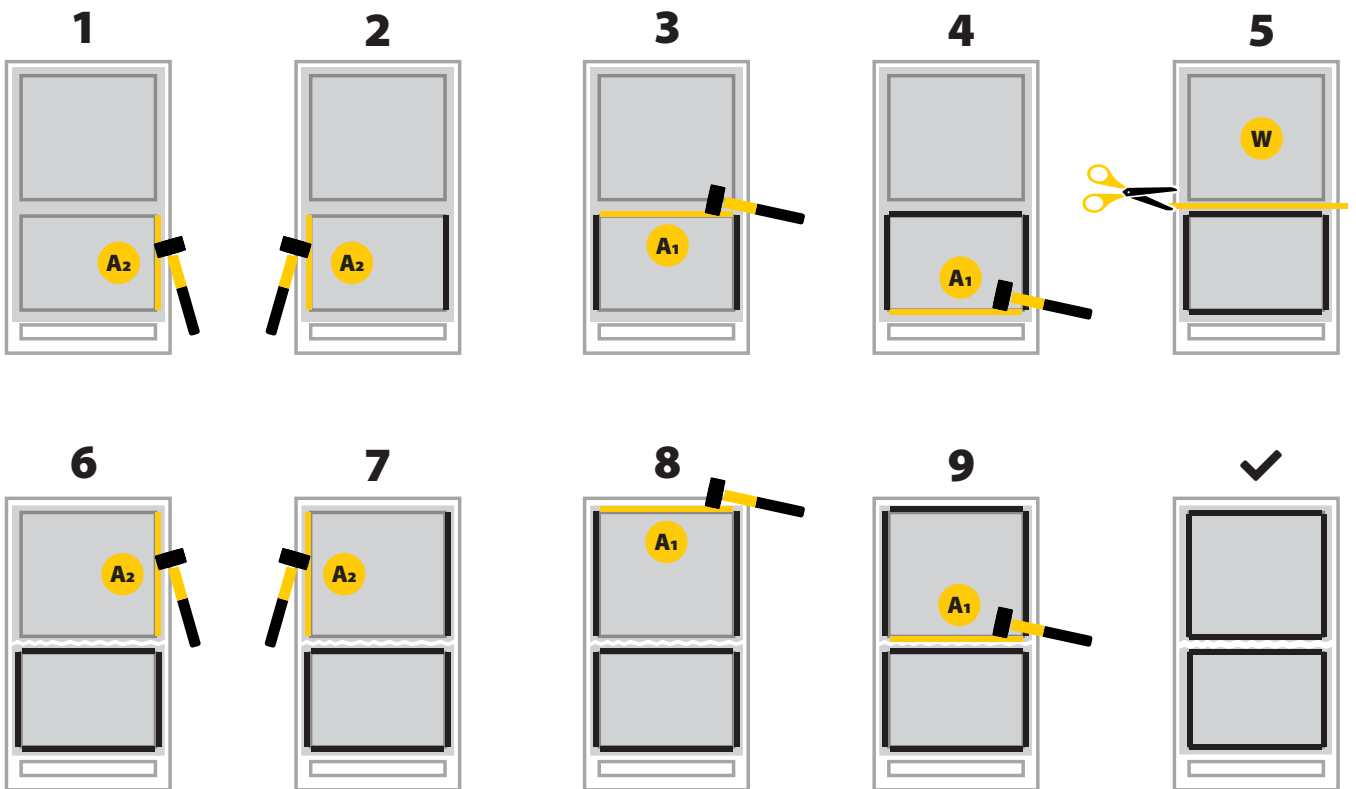
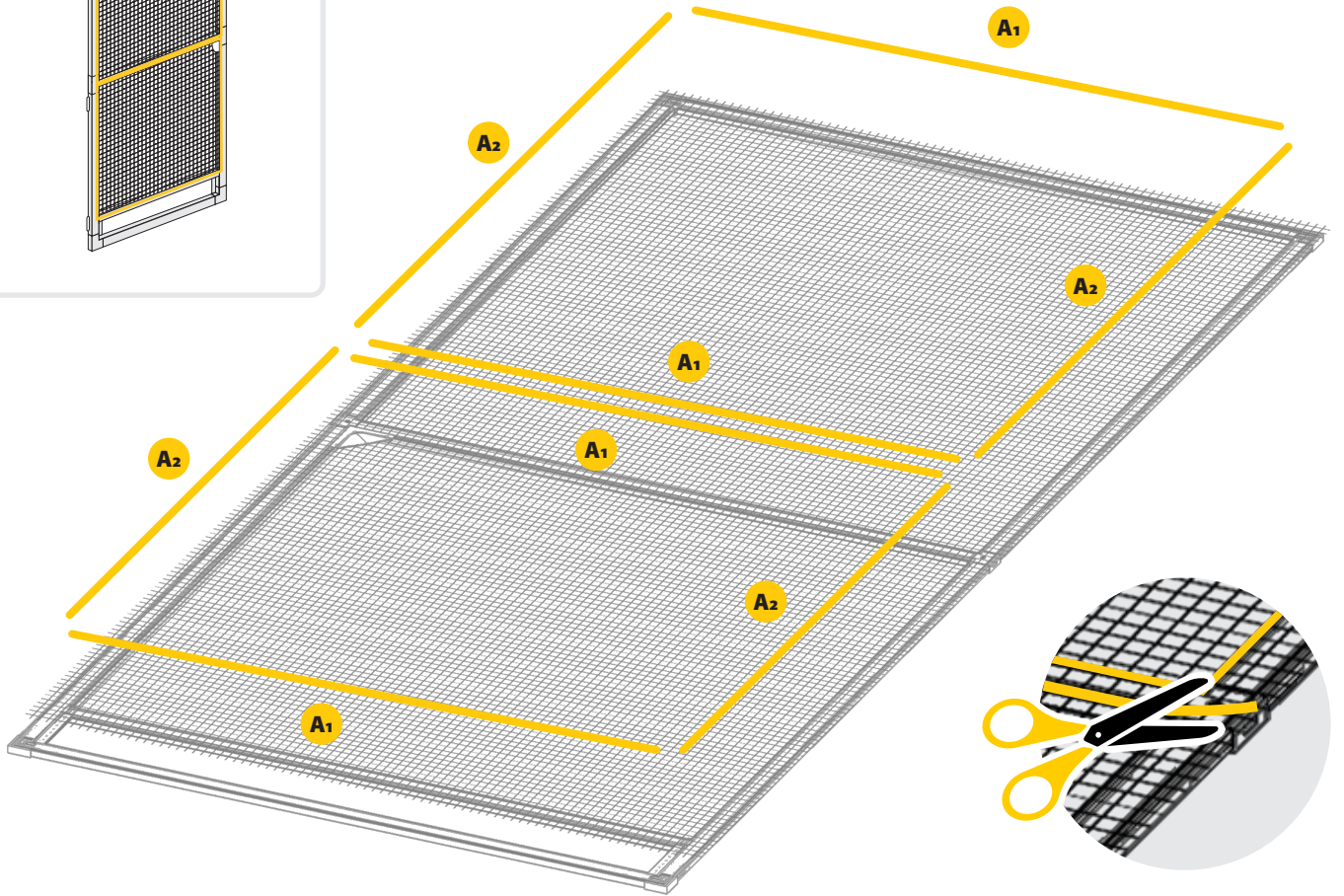
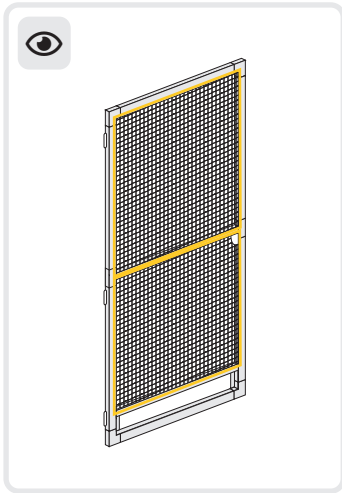


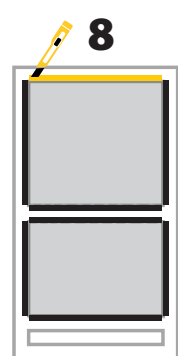
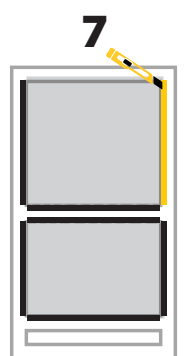
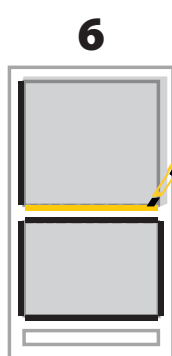
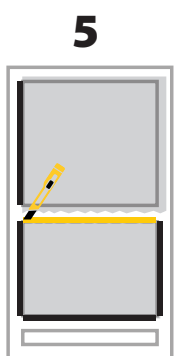
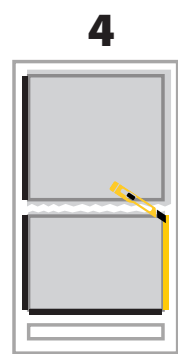
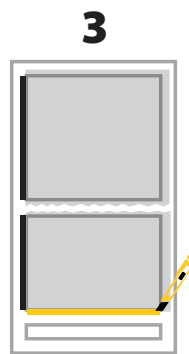
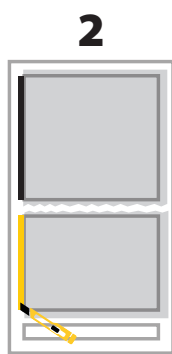
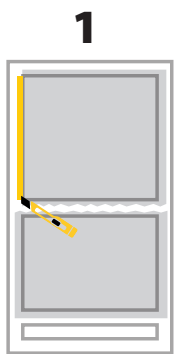
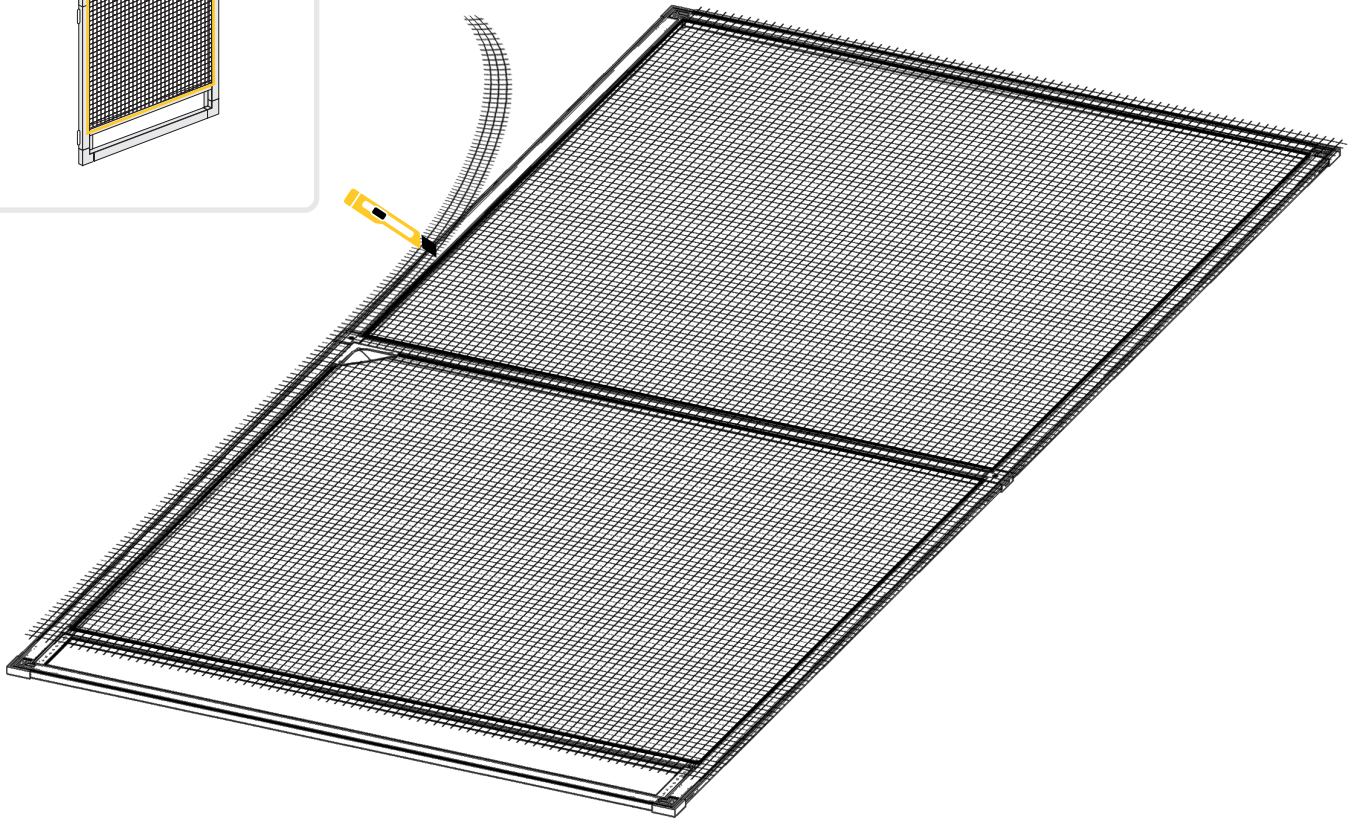
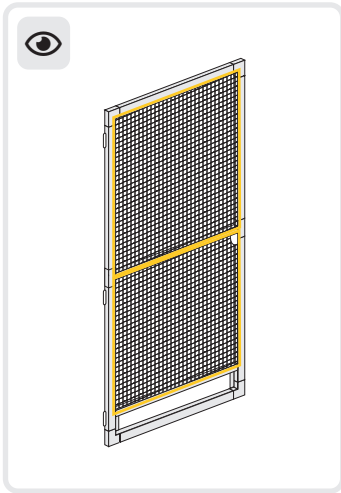
18 OPT 1

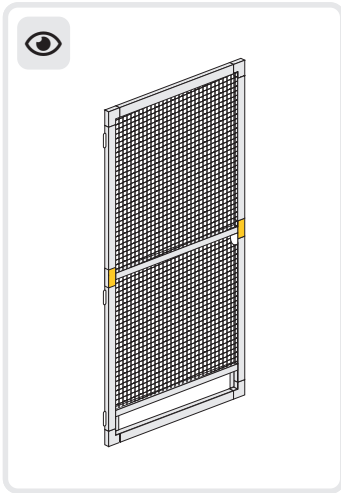


19 OPT 1

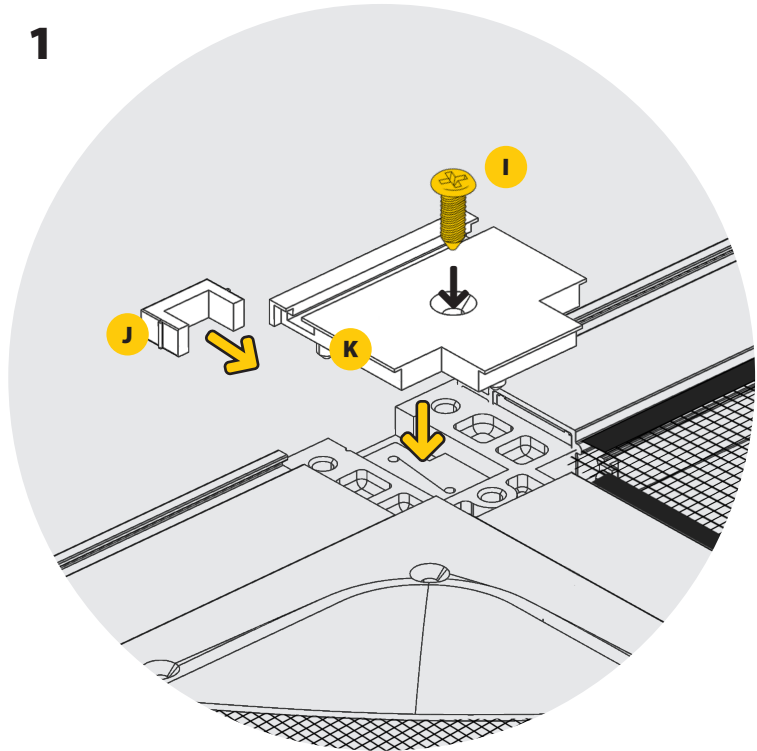




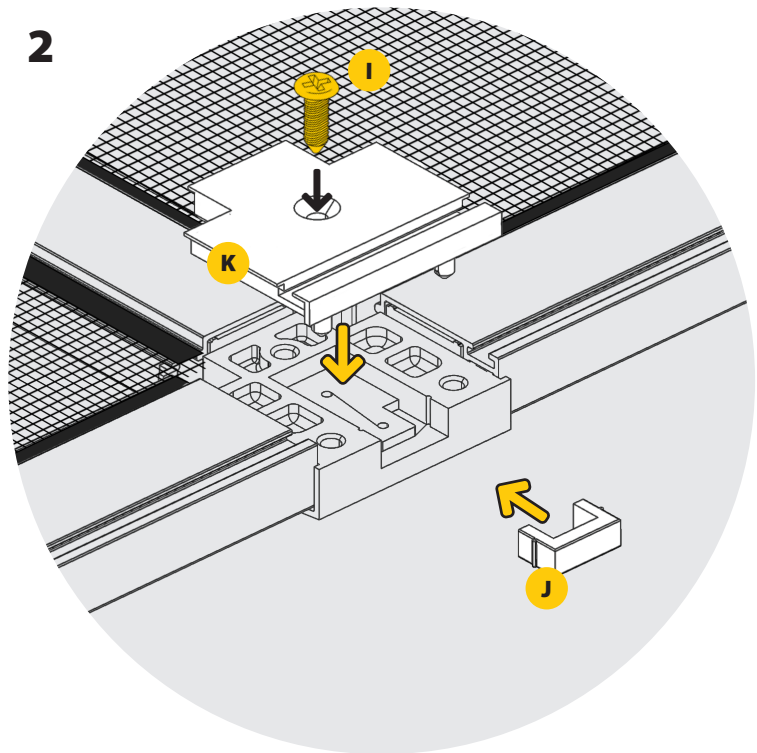




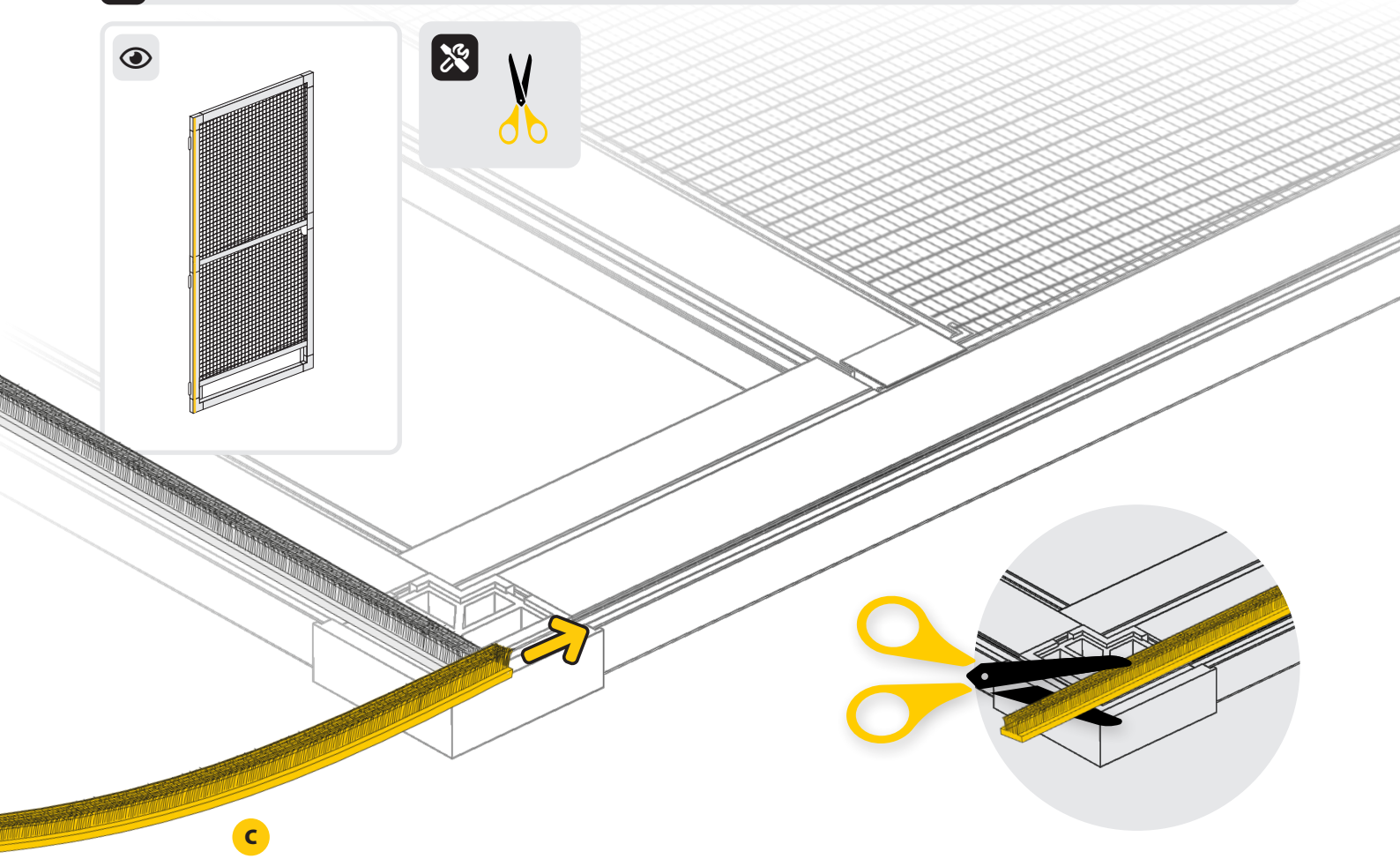
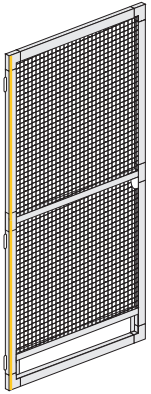
1



2

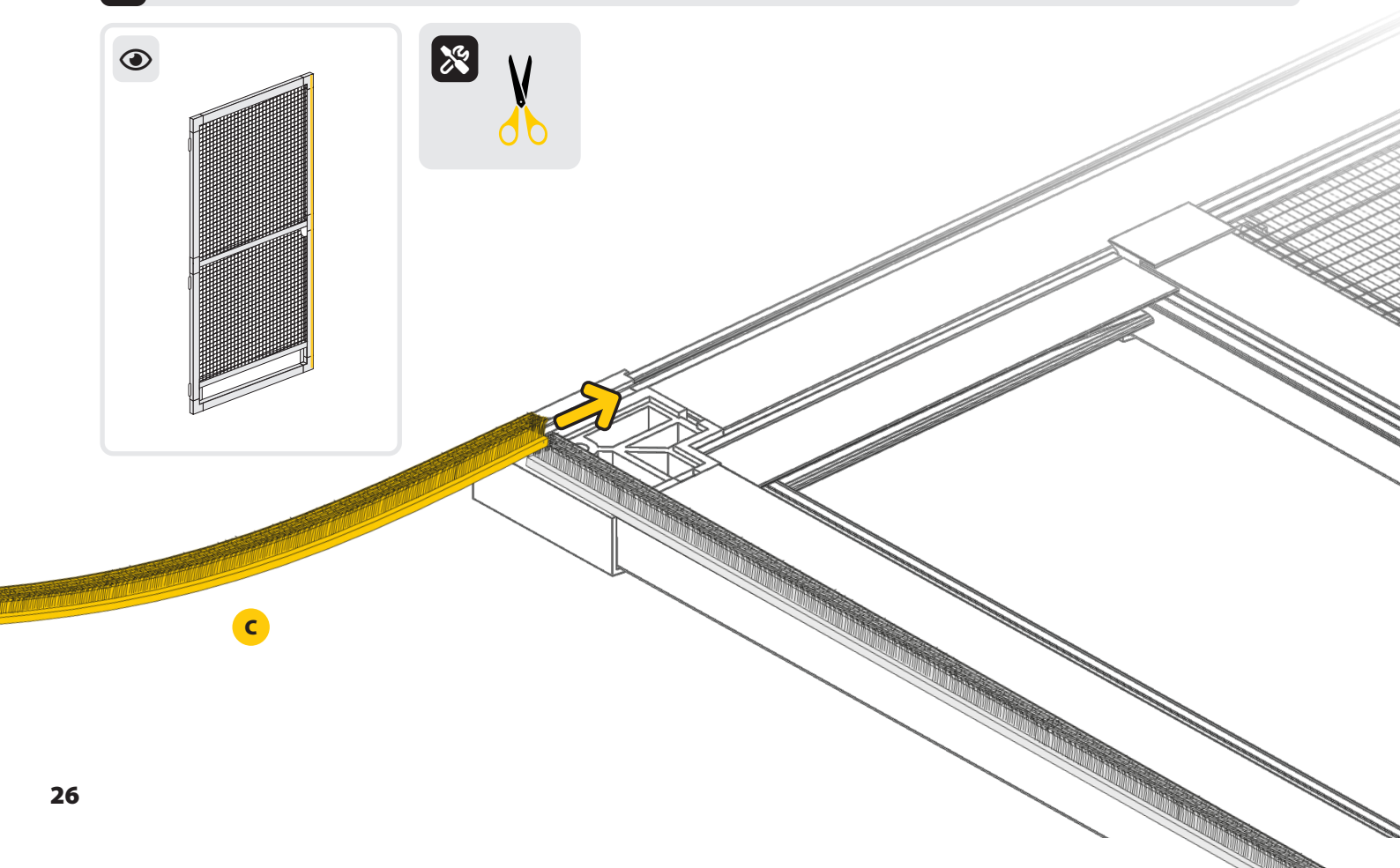
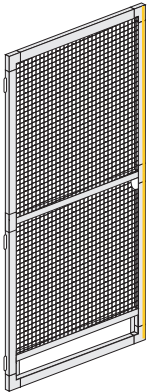


23 OPT 1

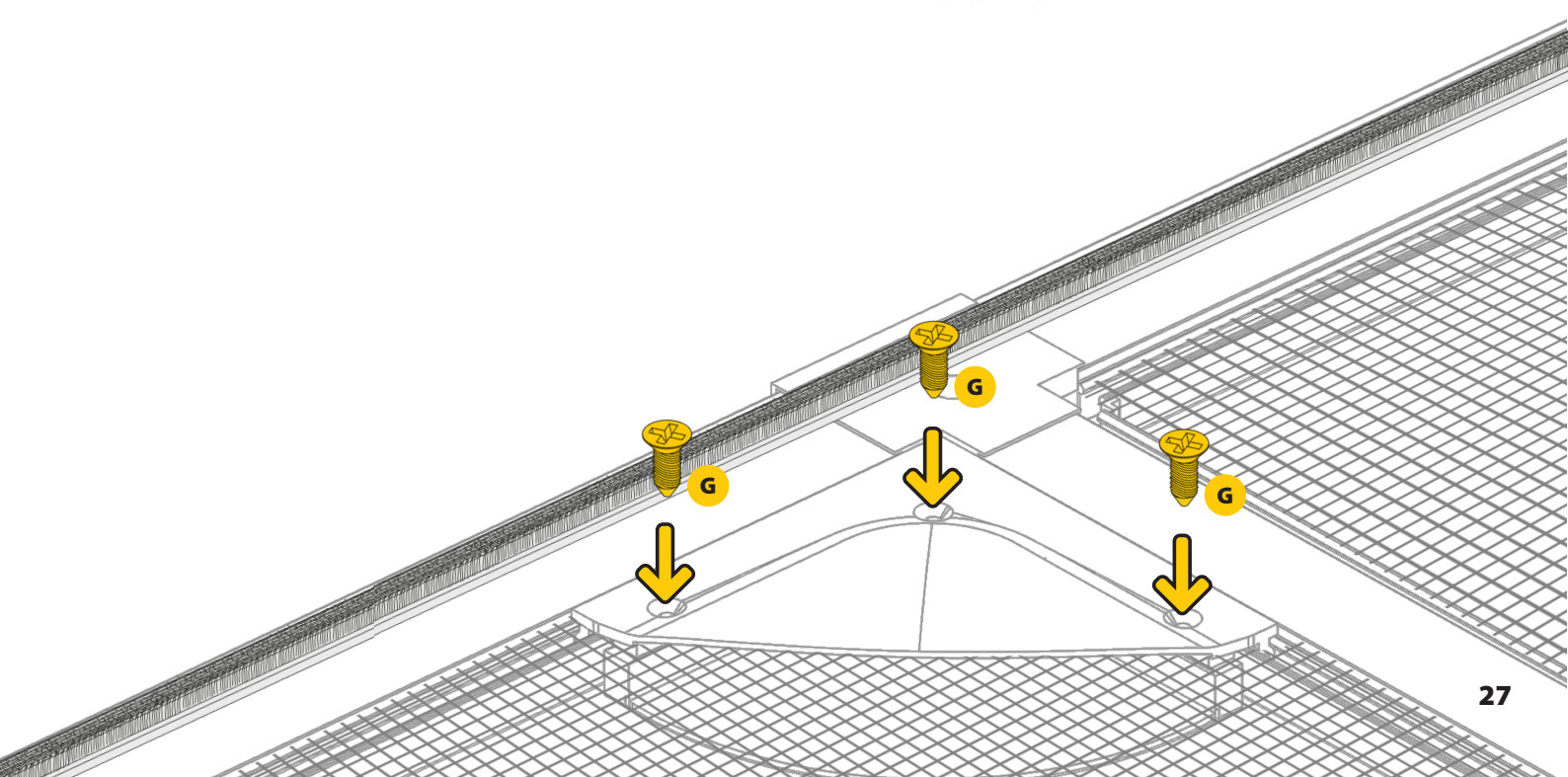
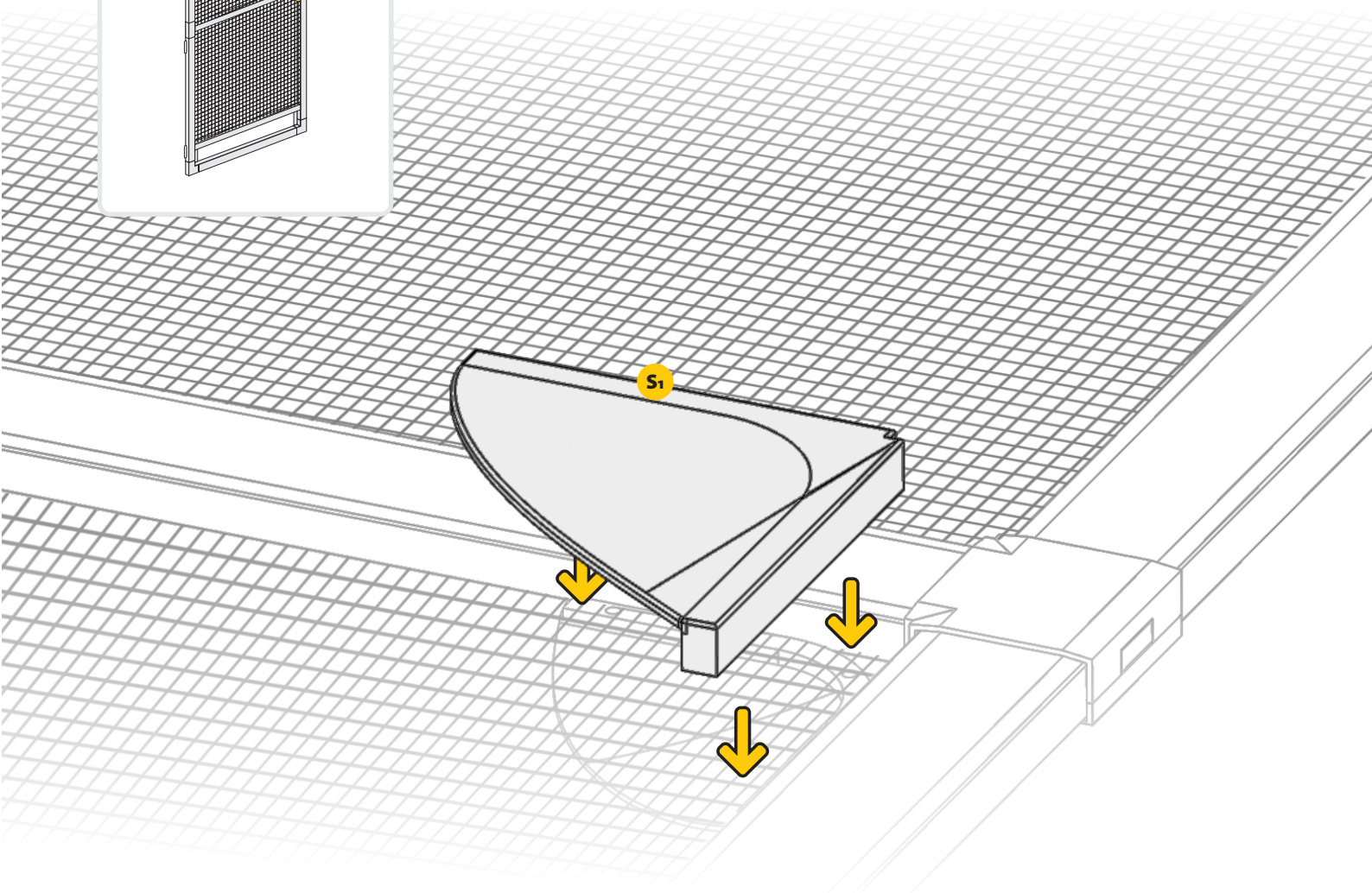
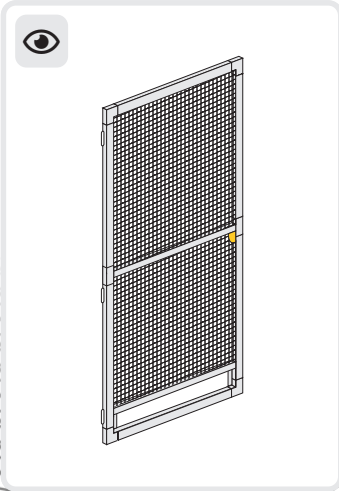


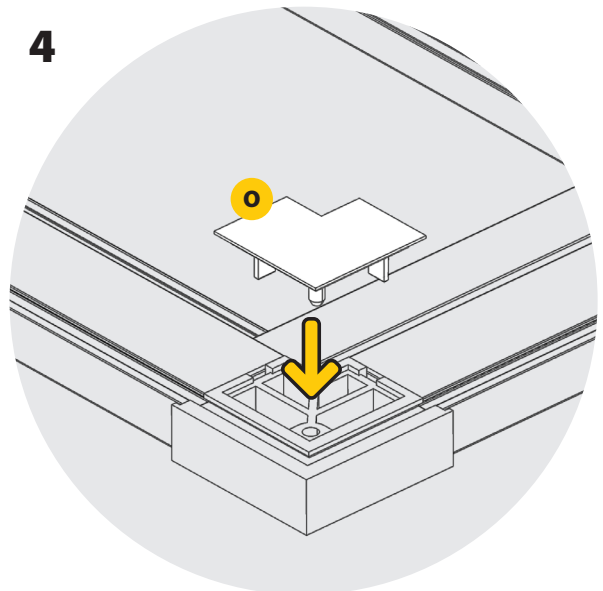
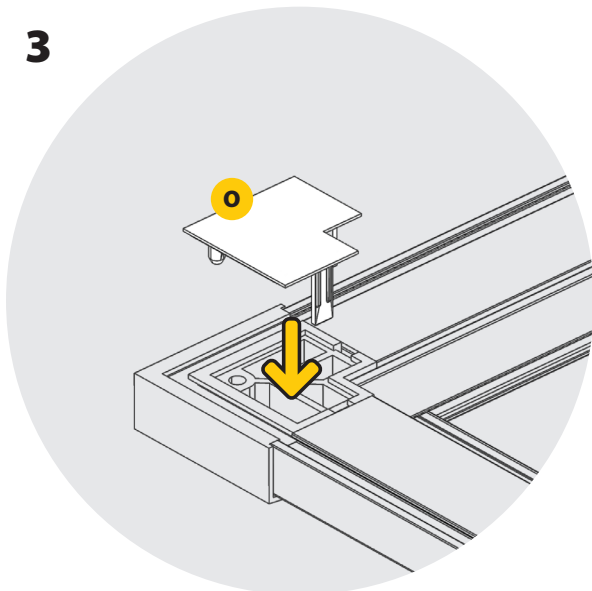
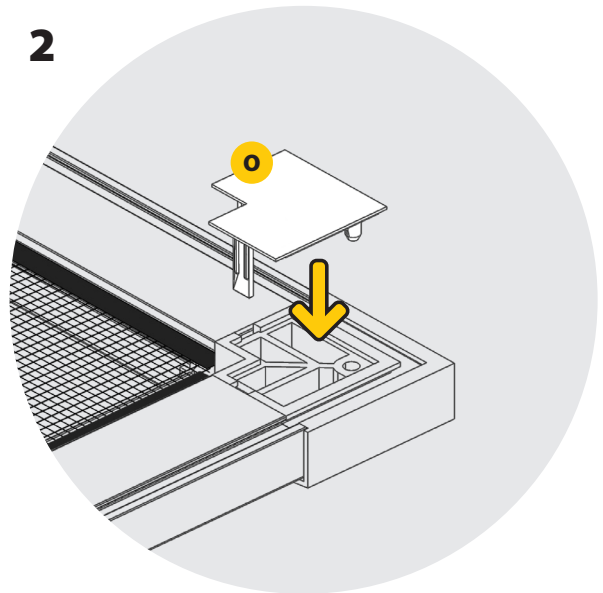
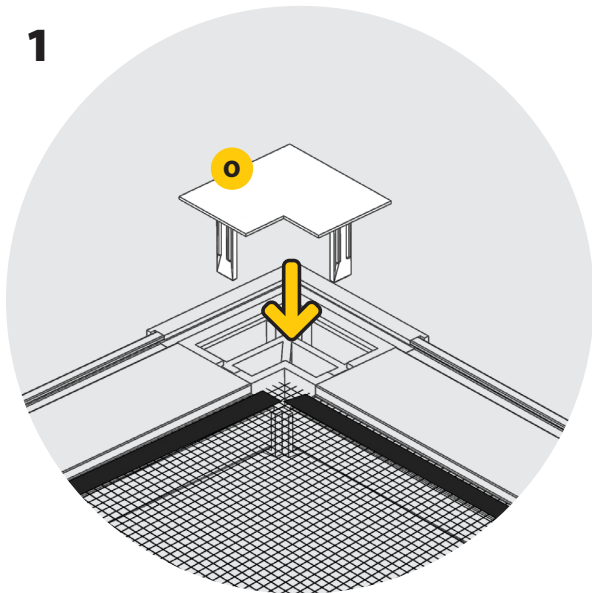
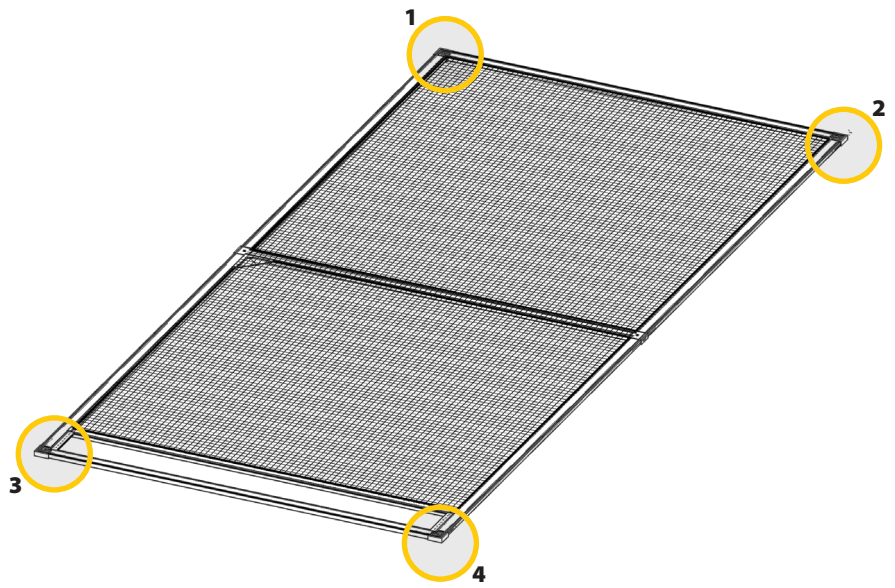
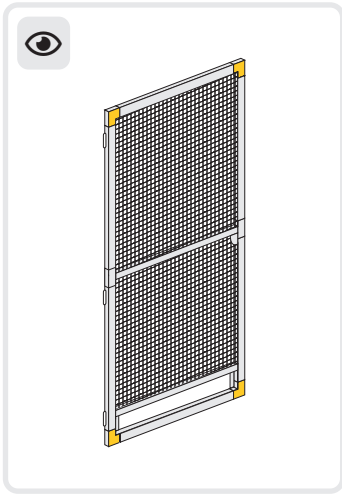
C

24 OPT 1

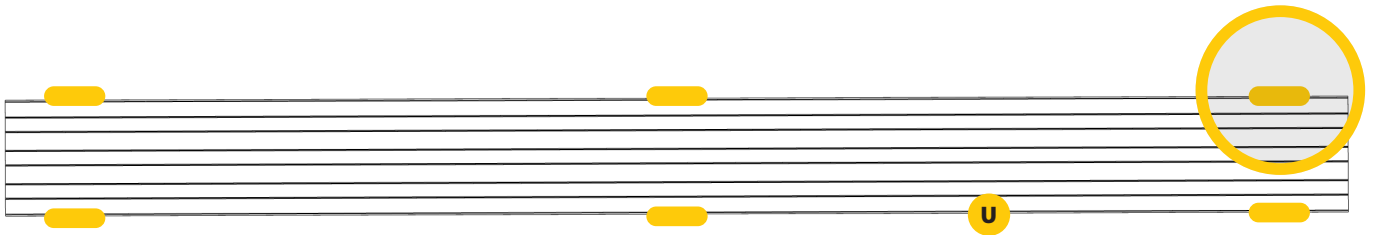
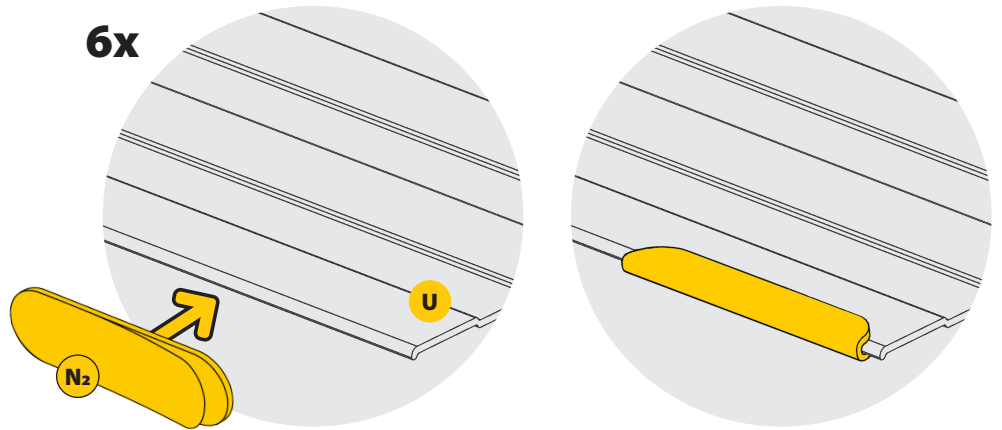
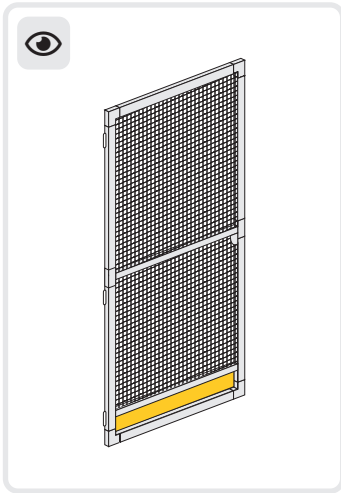


C

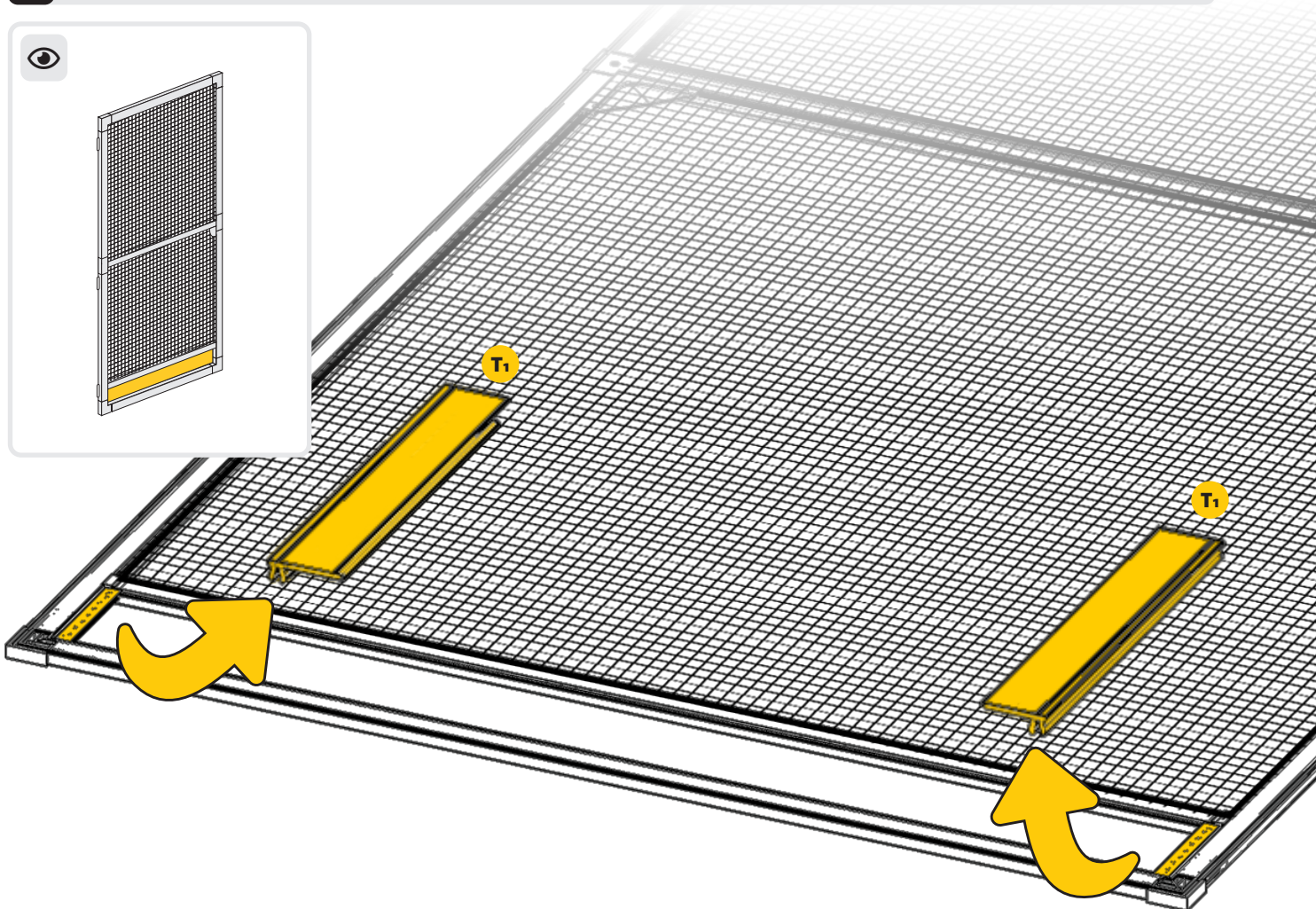
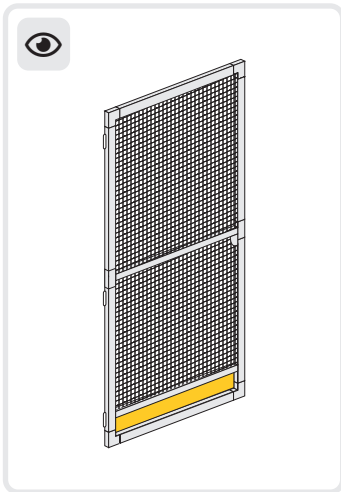


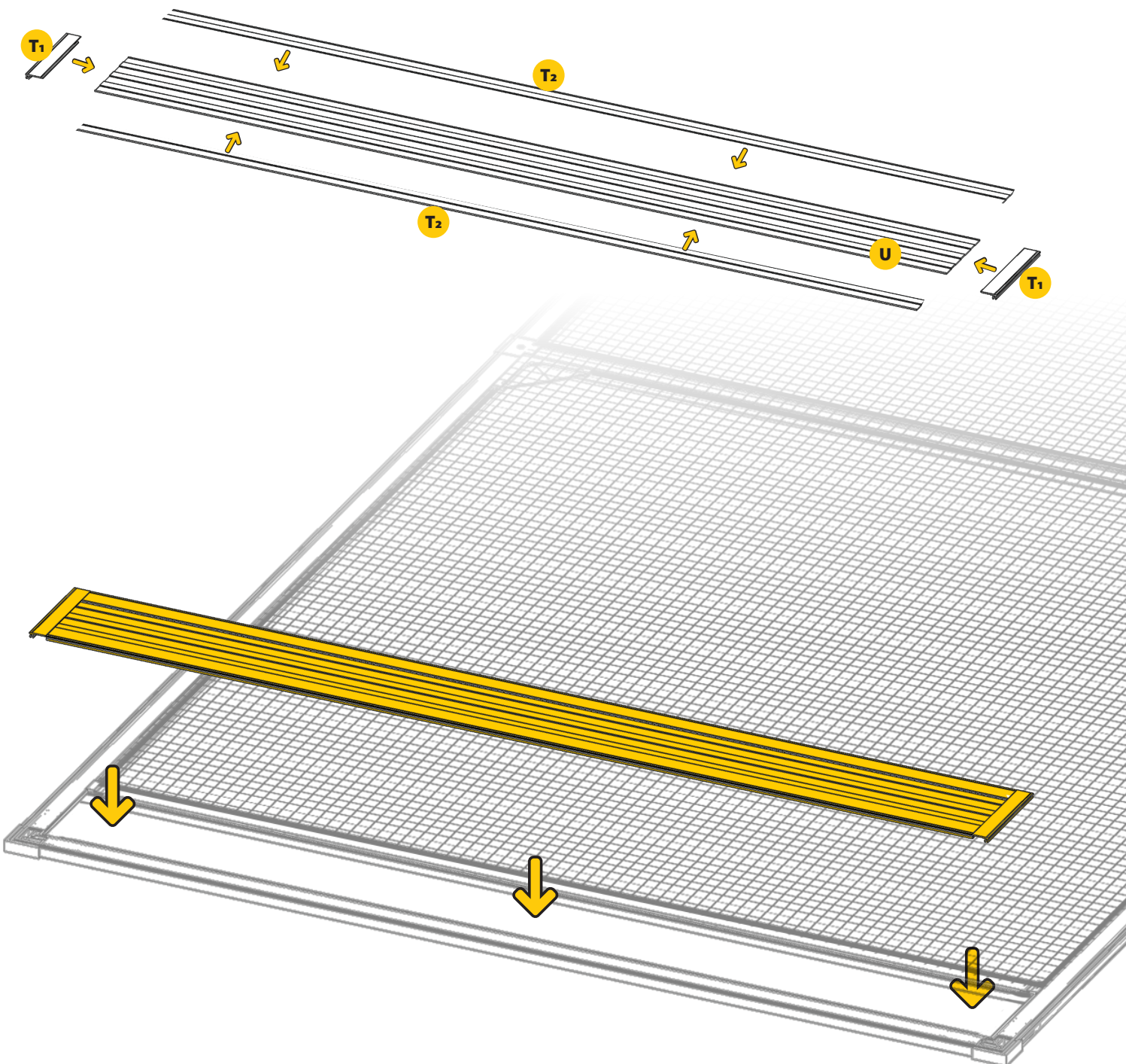
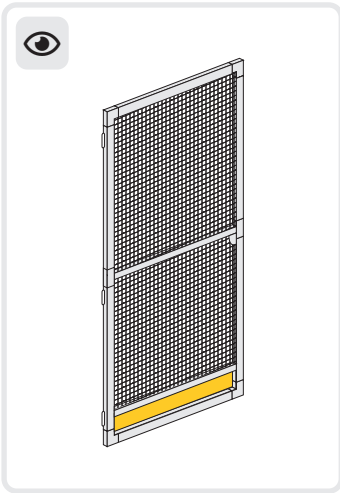


27 OPT 1



28 OPT 1

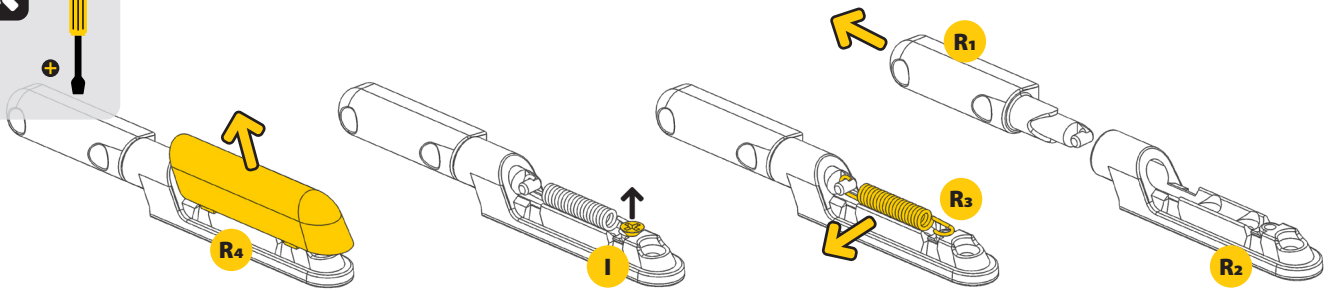




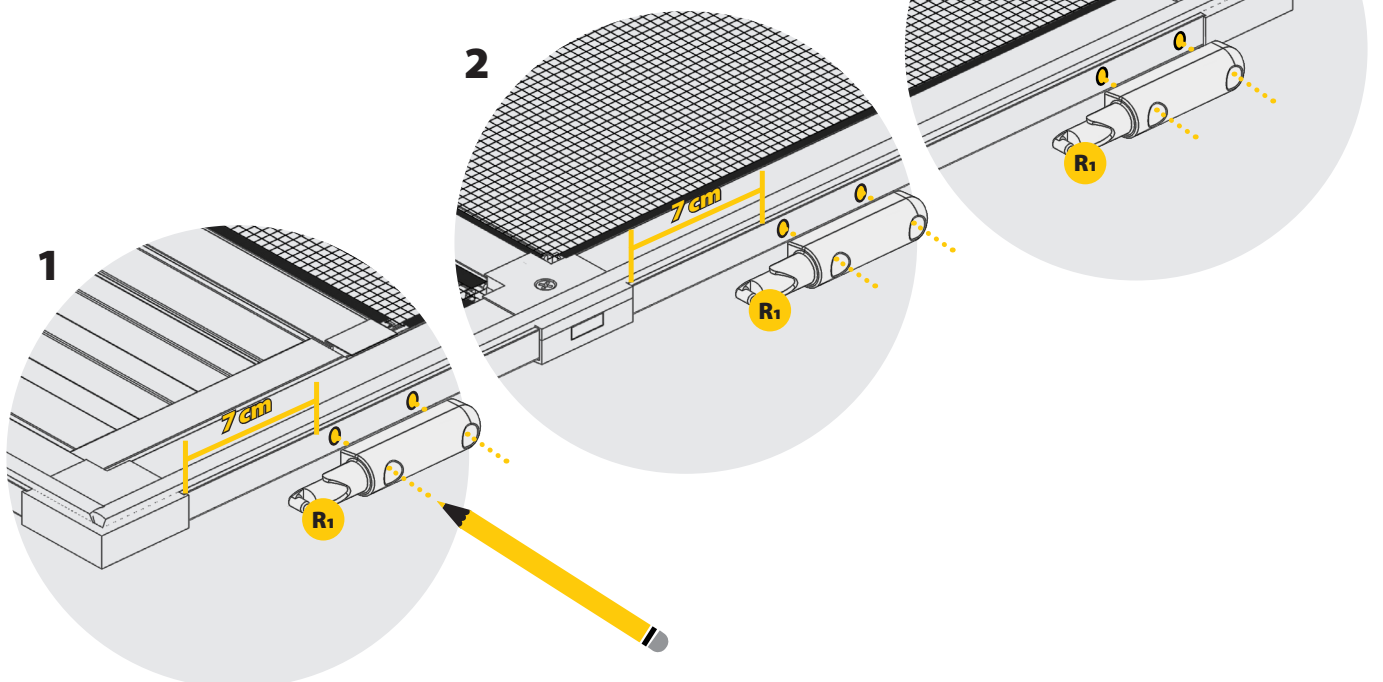
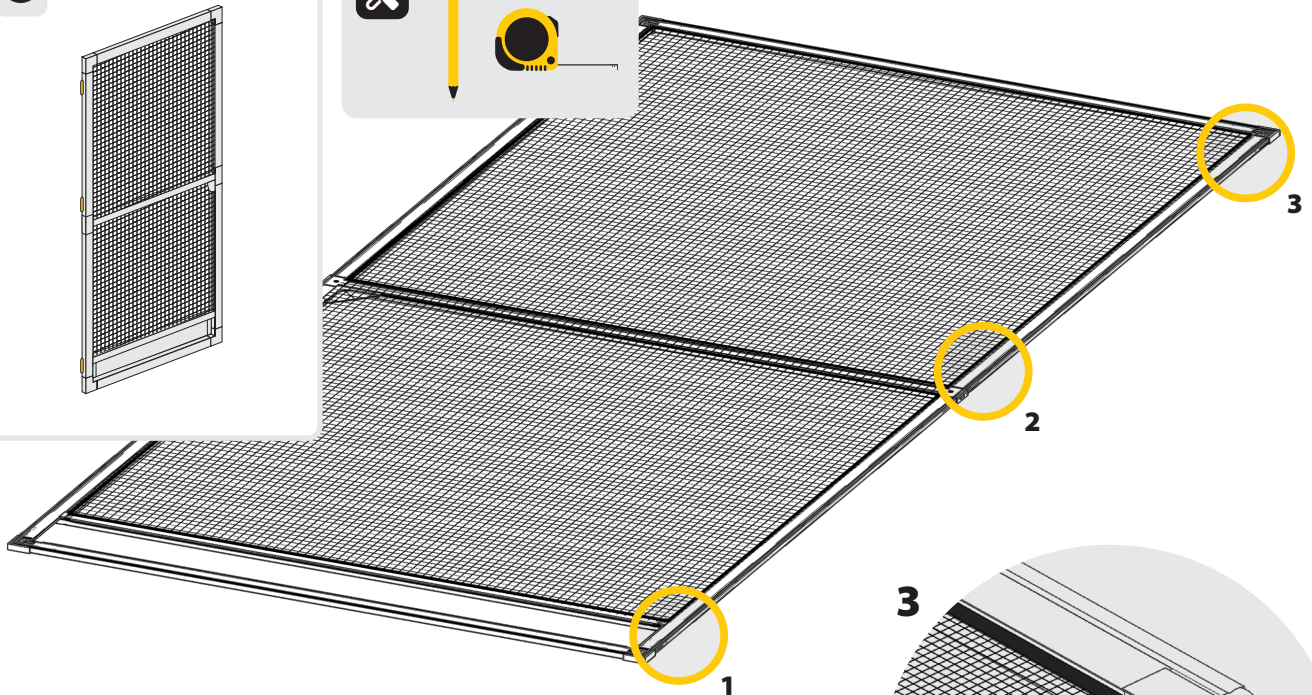
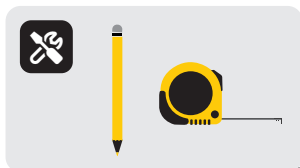
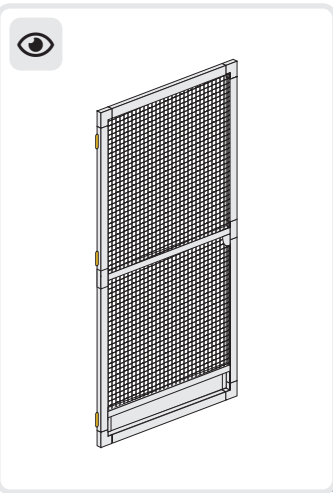
30 OPT 1

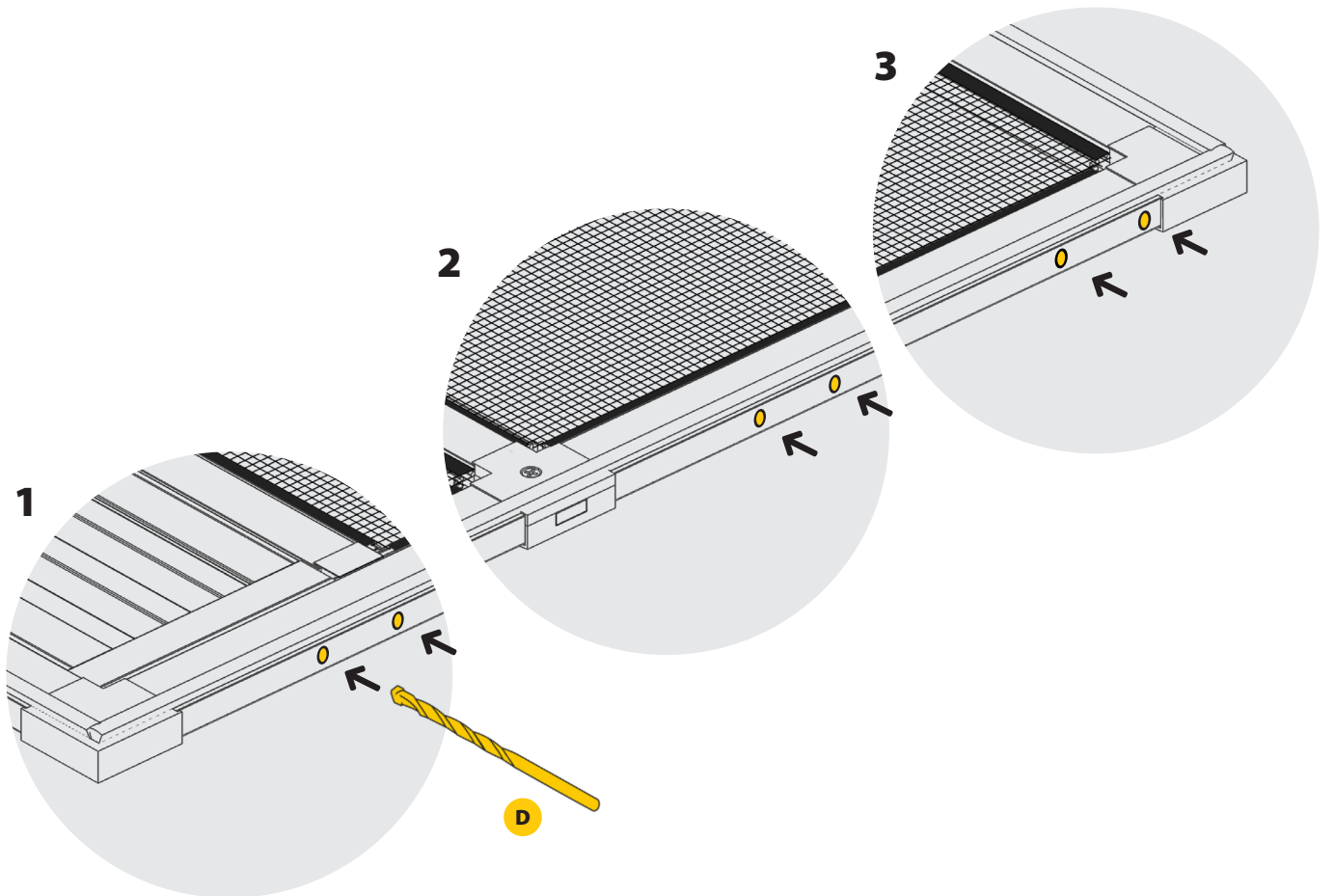
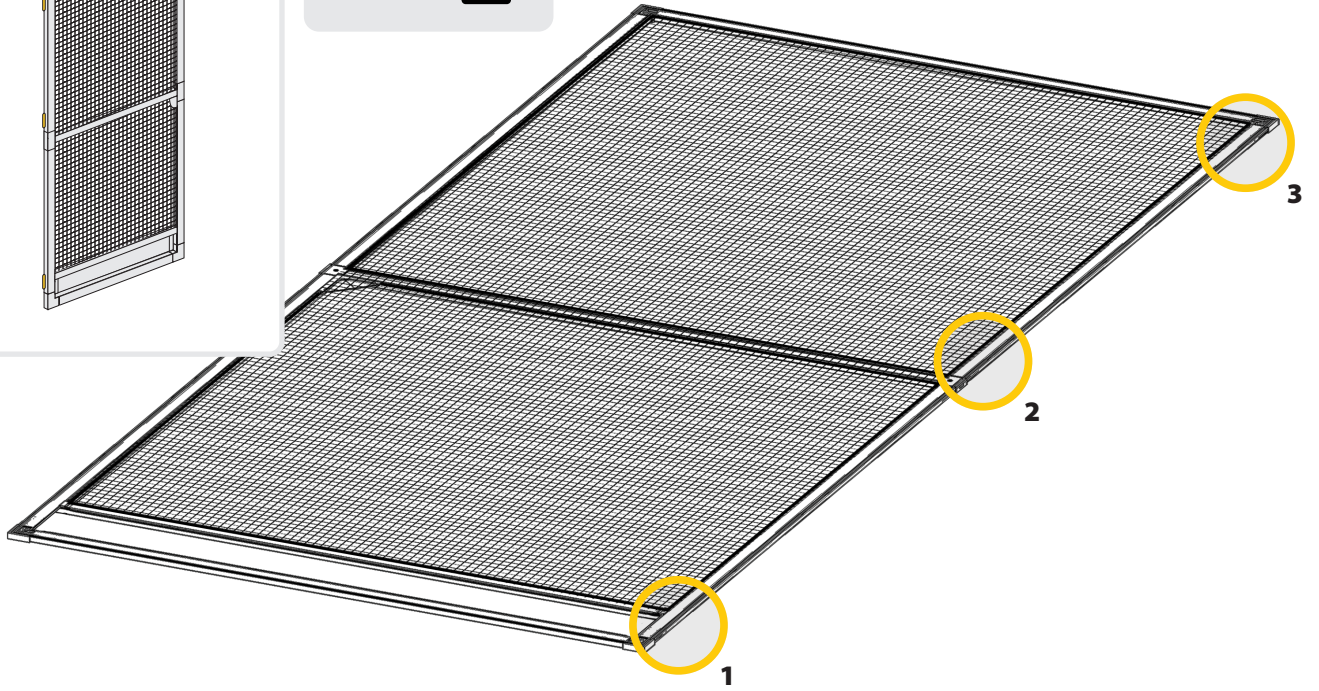
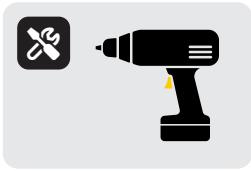
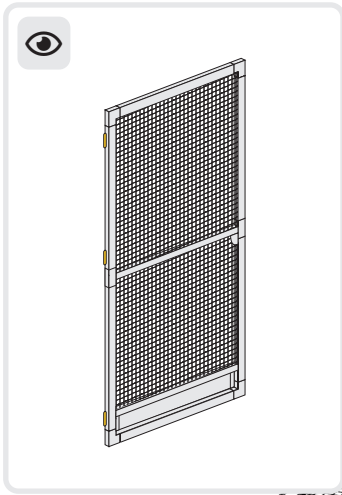


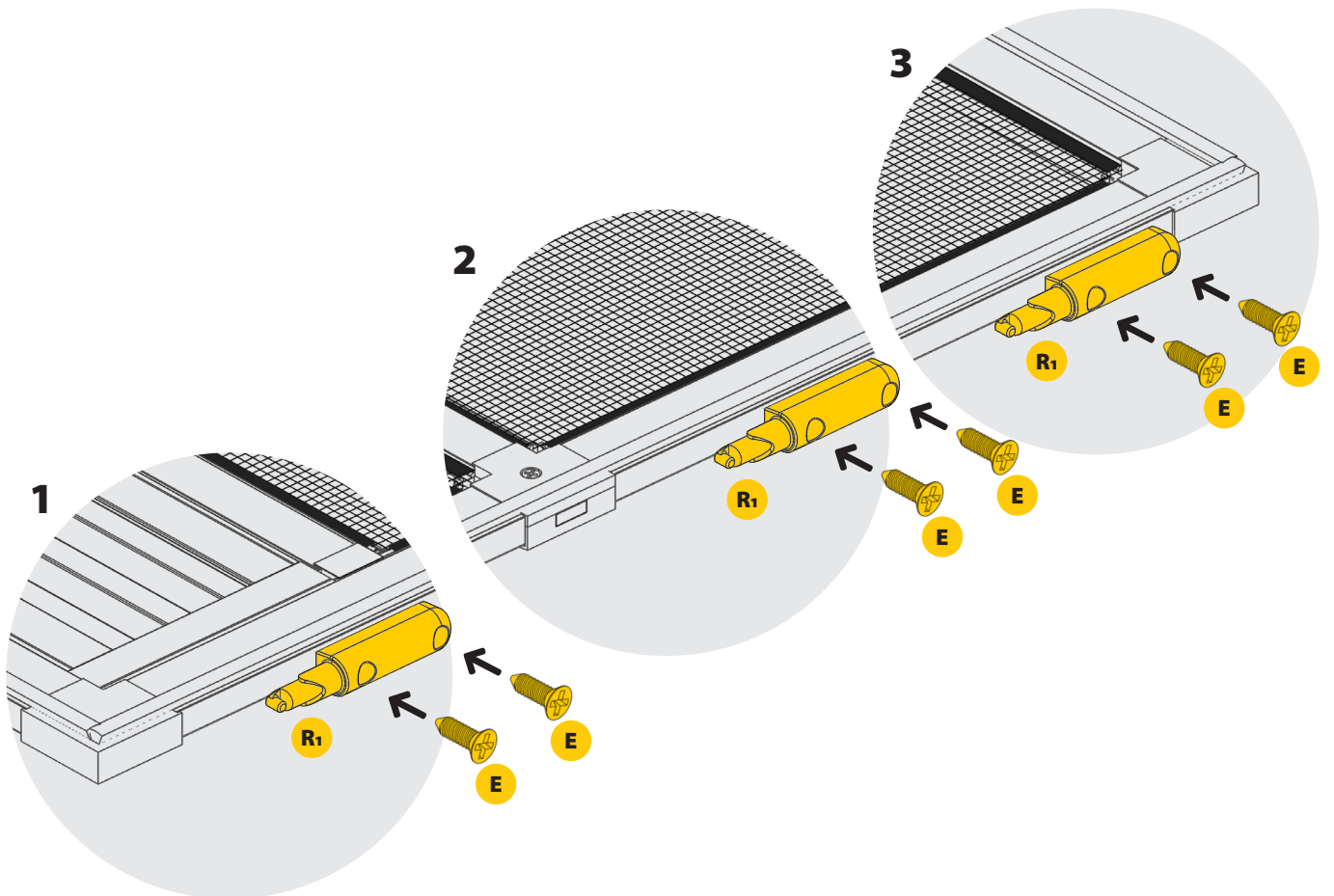
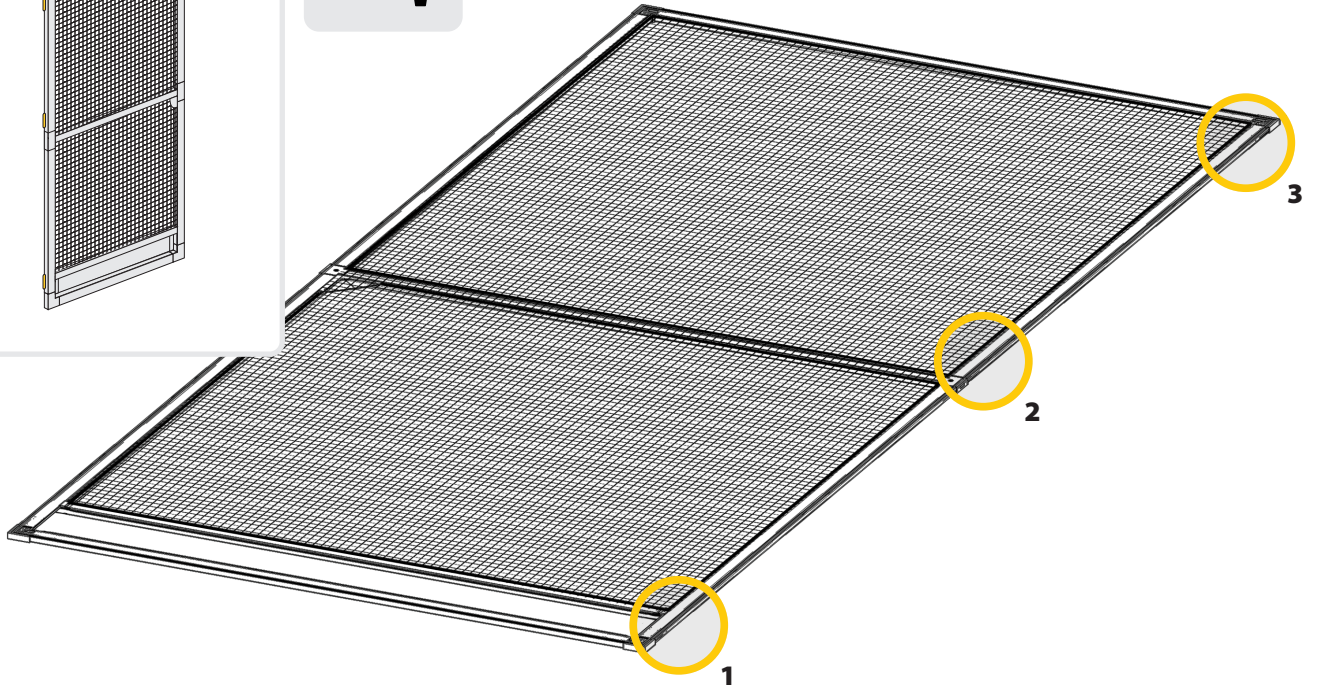
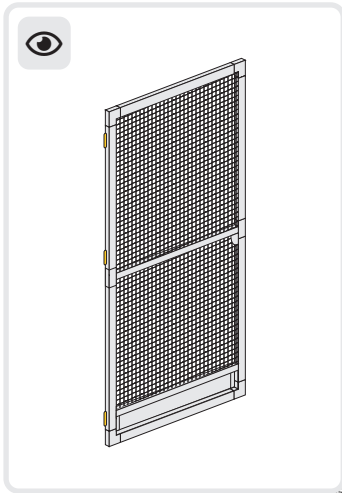
3x R

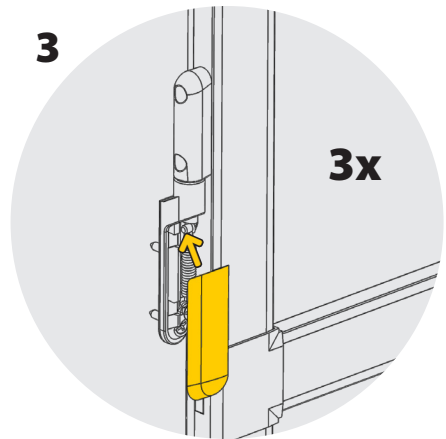
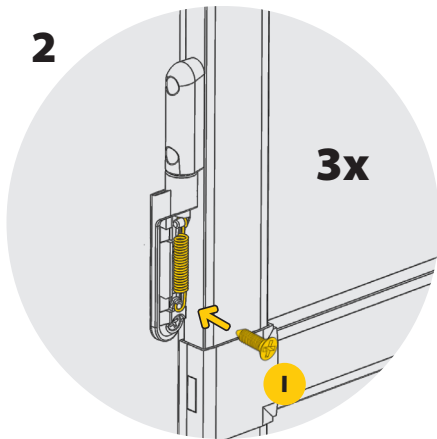
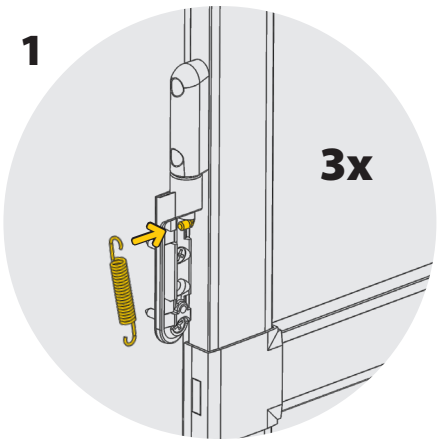
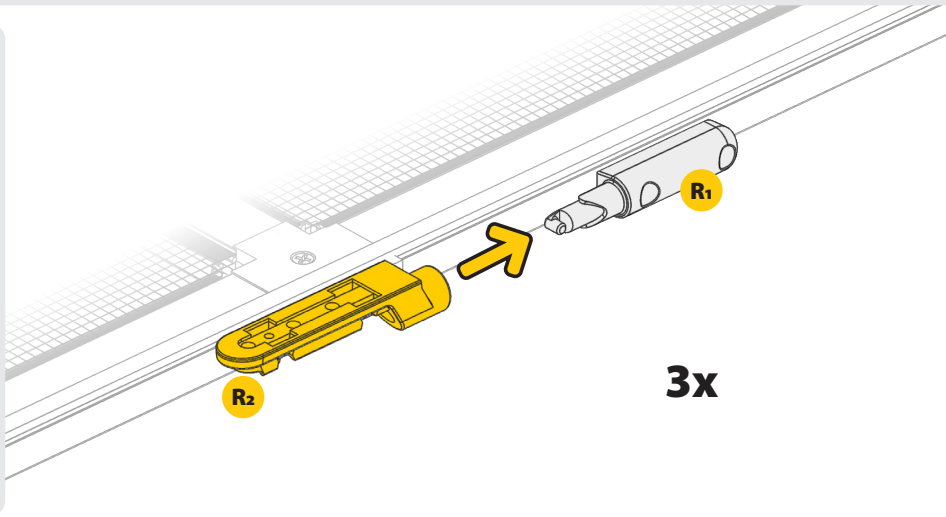
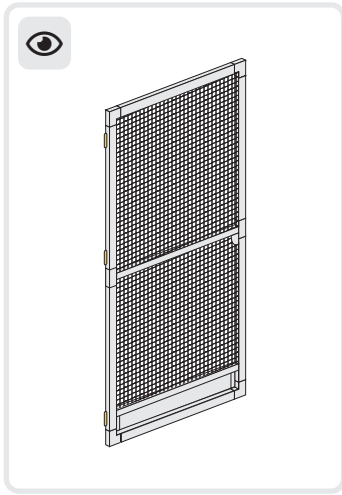


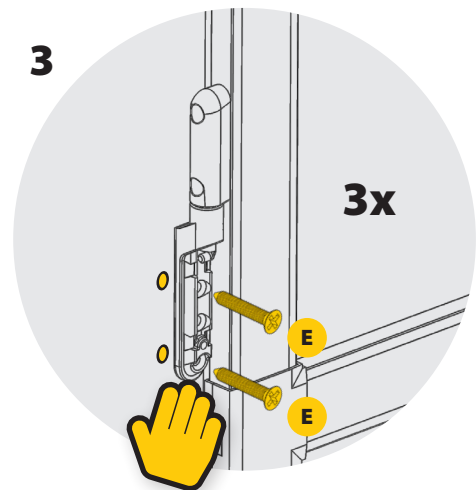
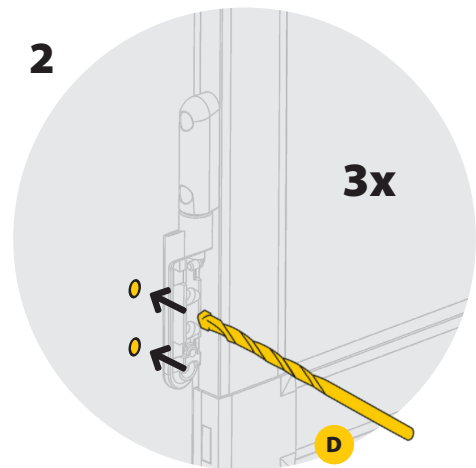
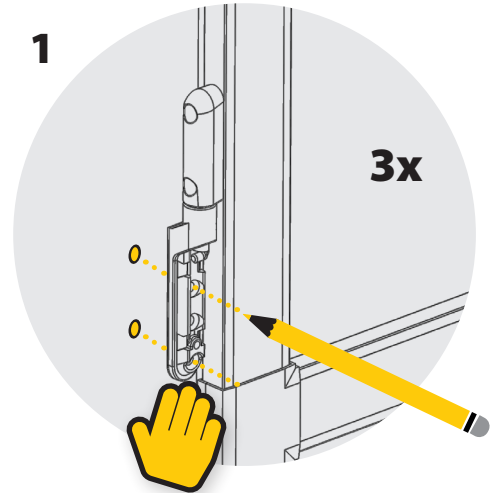
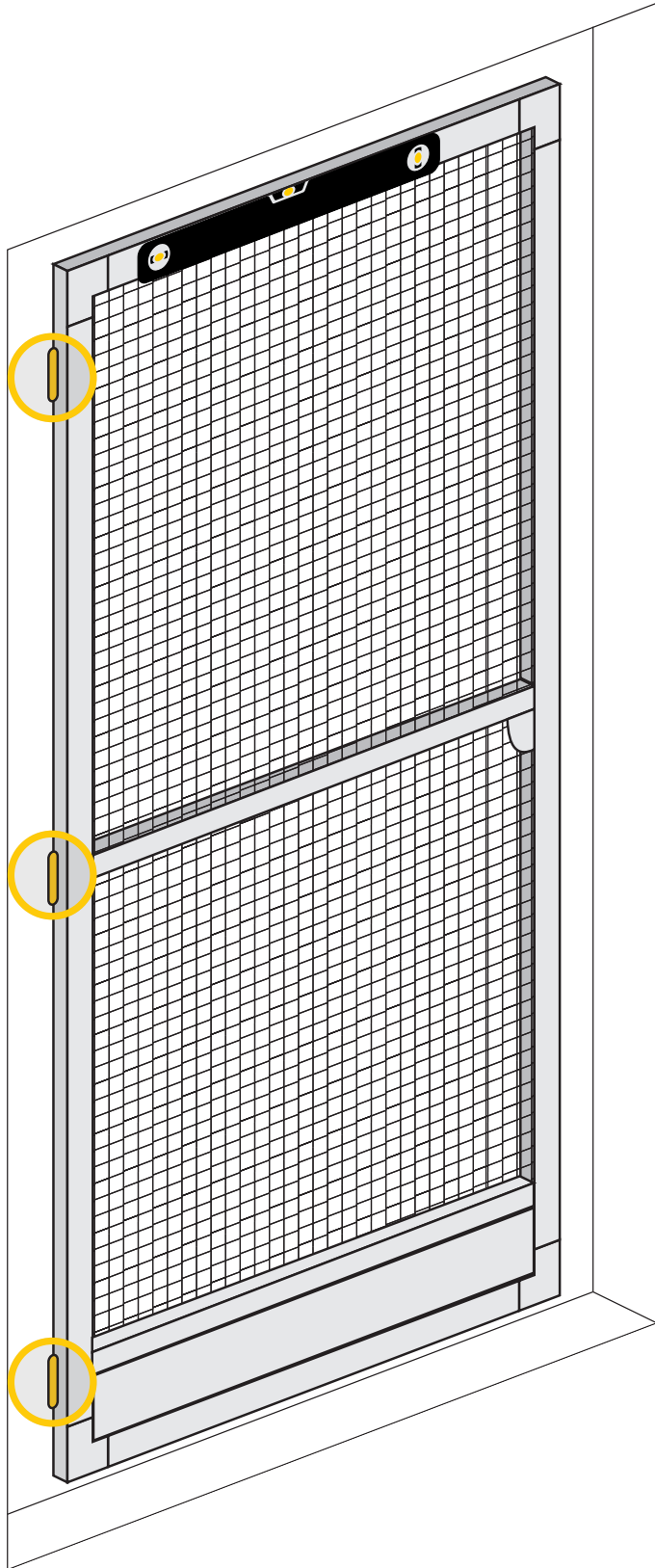
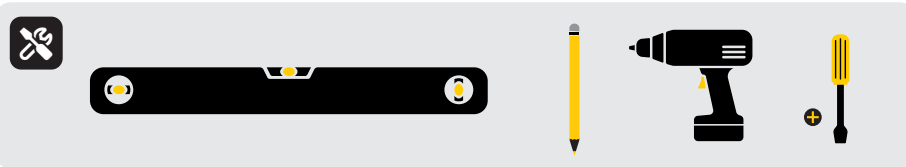
31 OPT 1



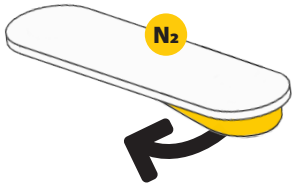




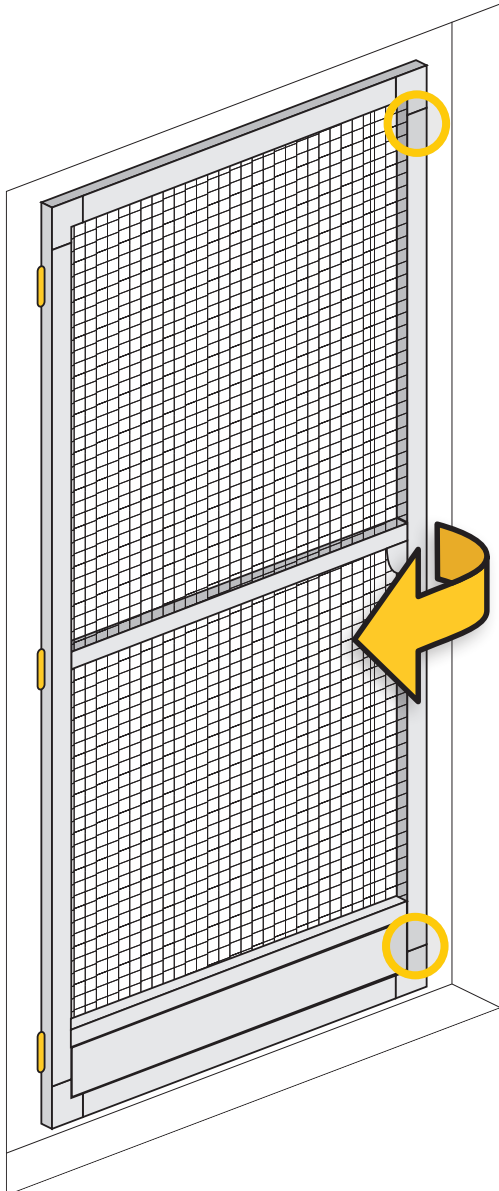
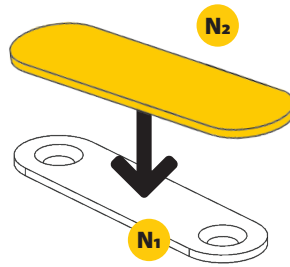




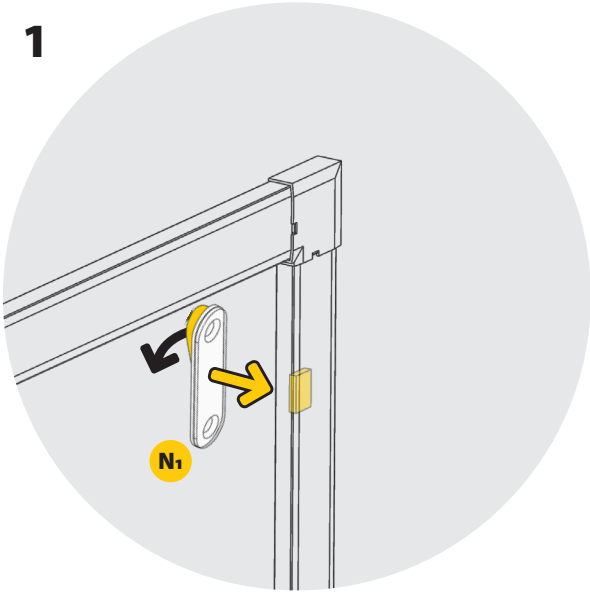
1



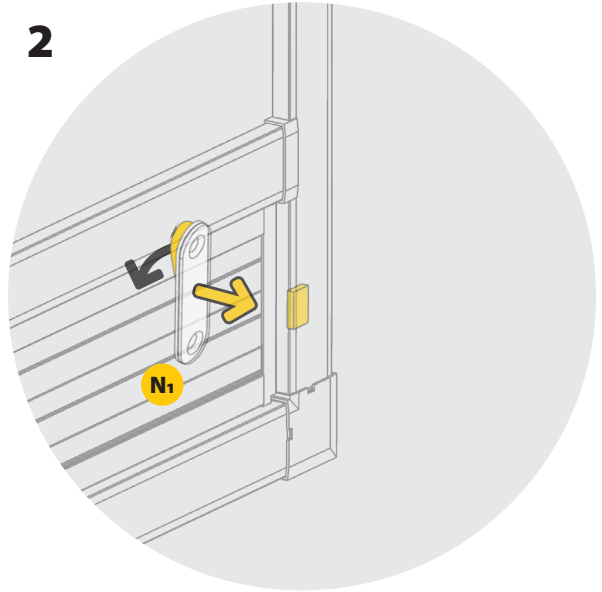
2



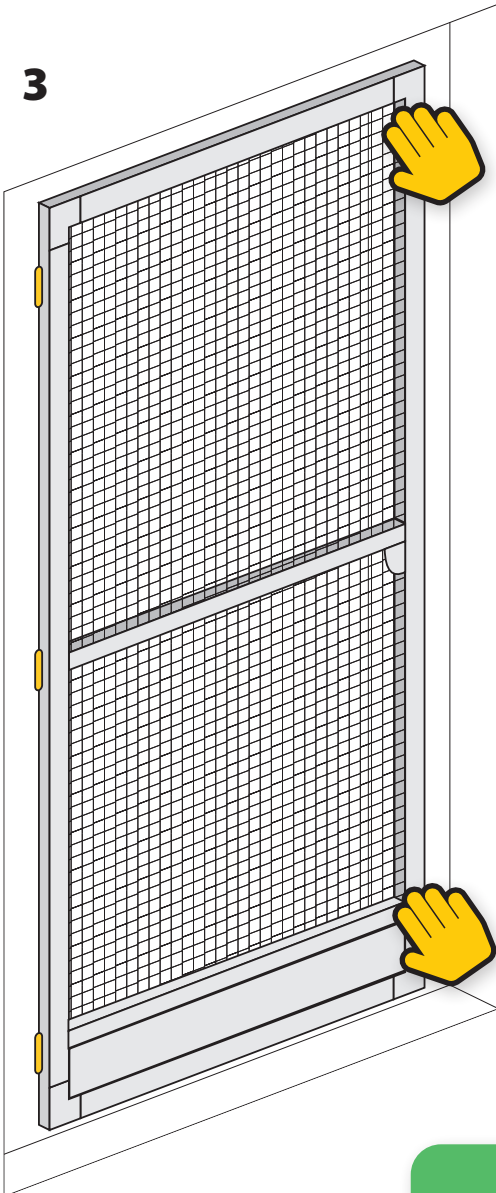
1



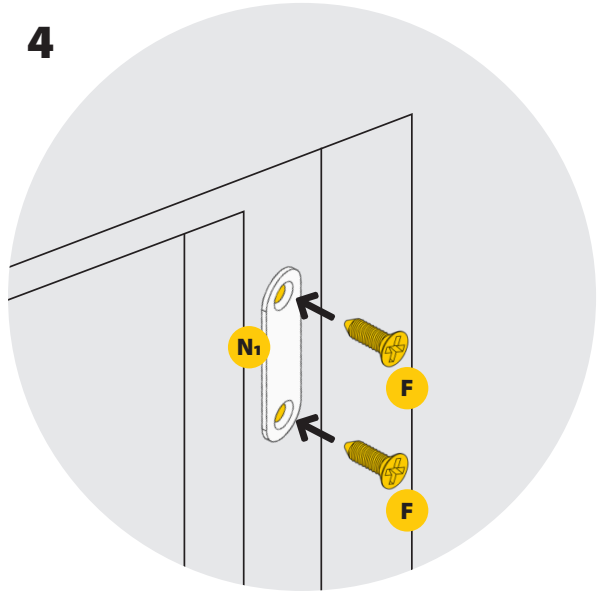
2



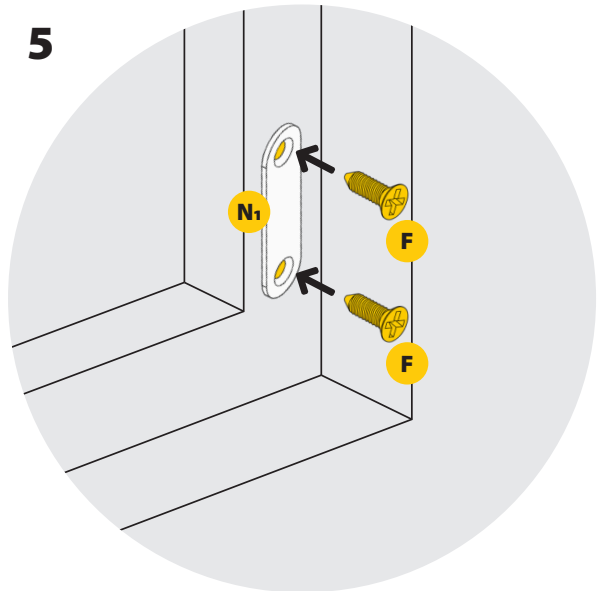
3



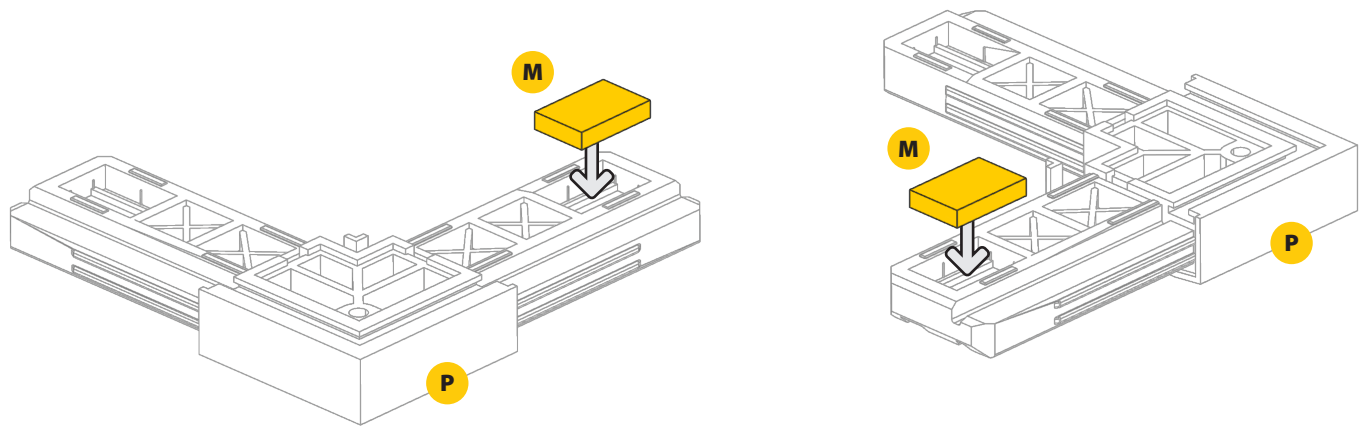
4



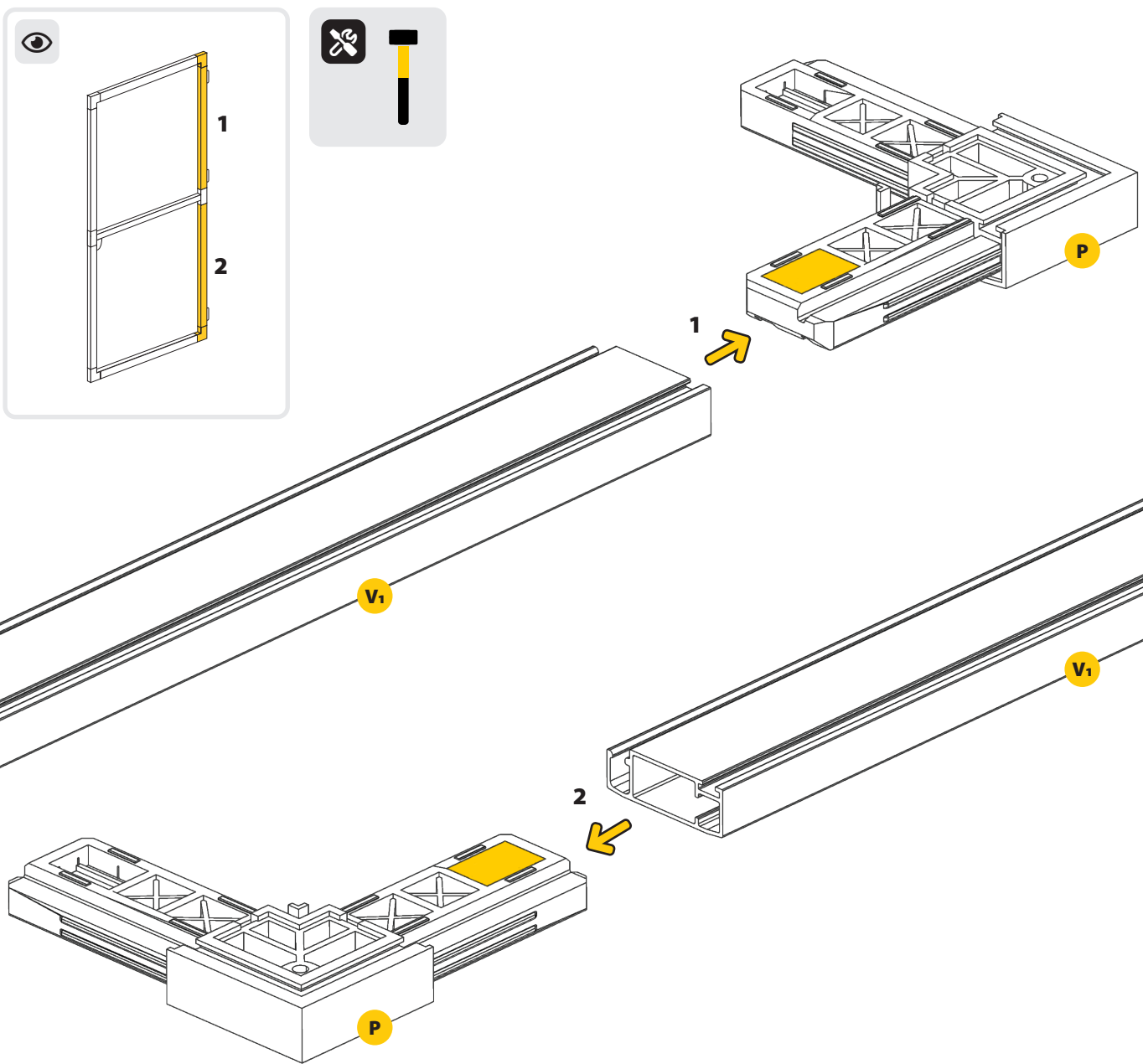
5



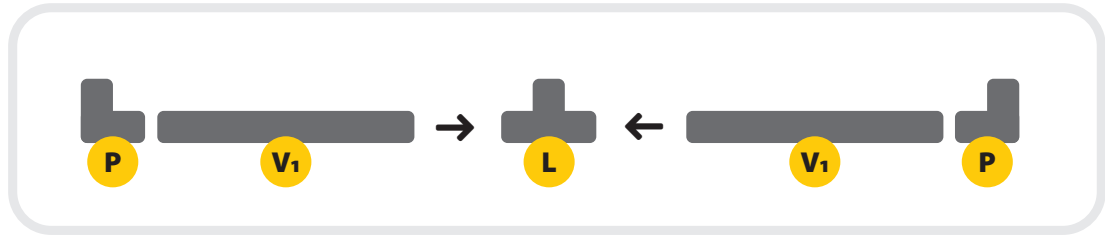
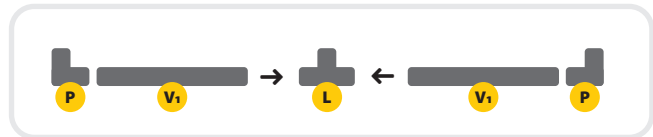
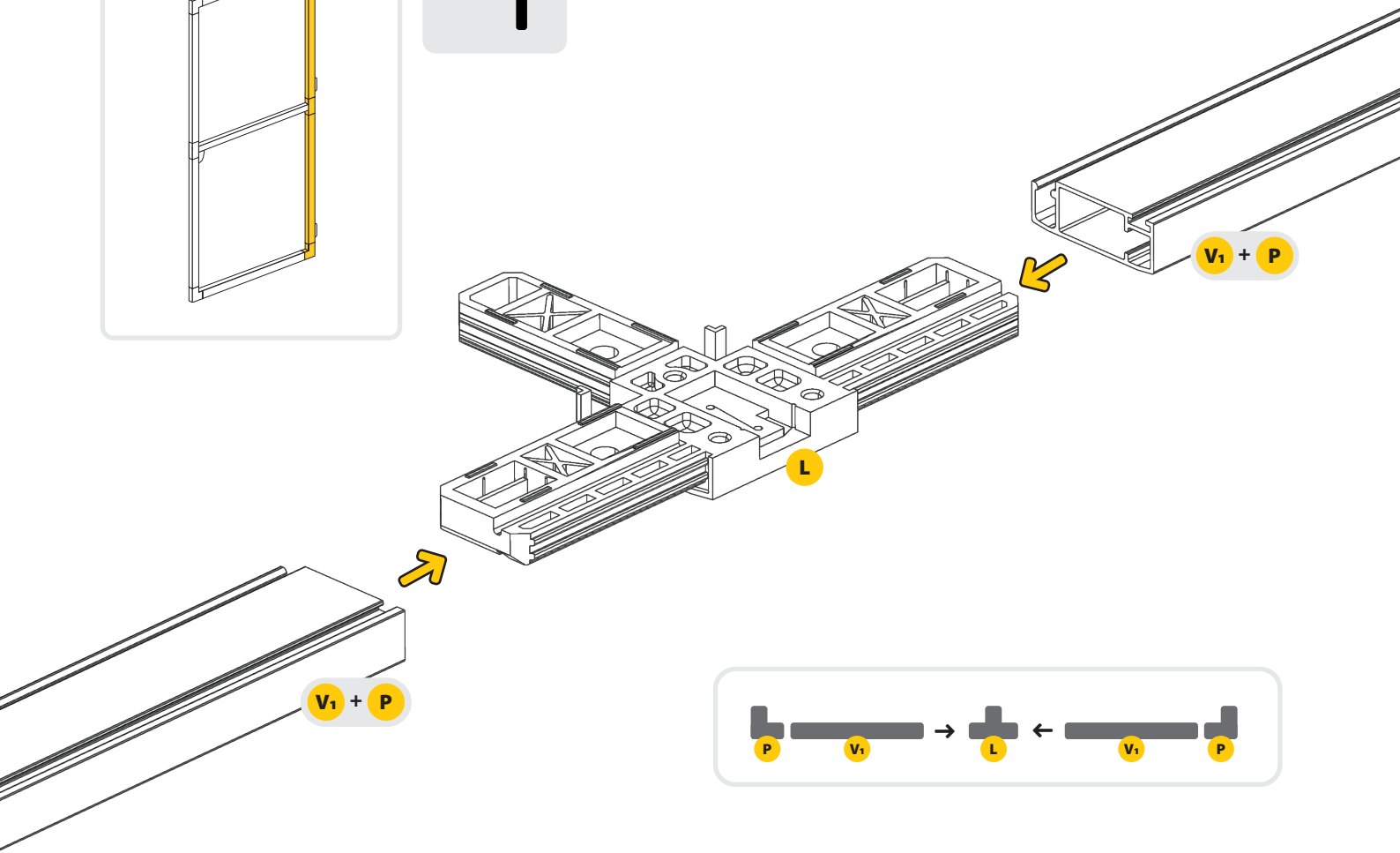
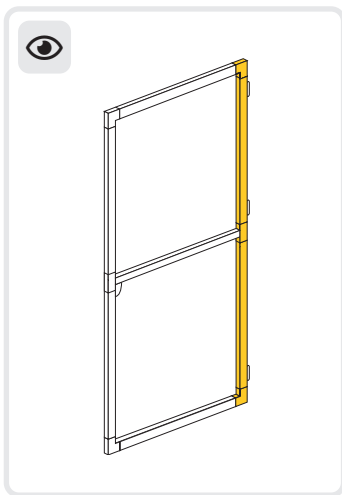
5 OPT 2



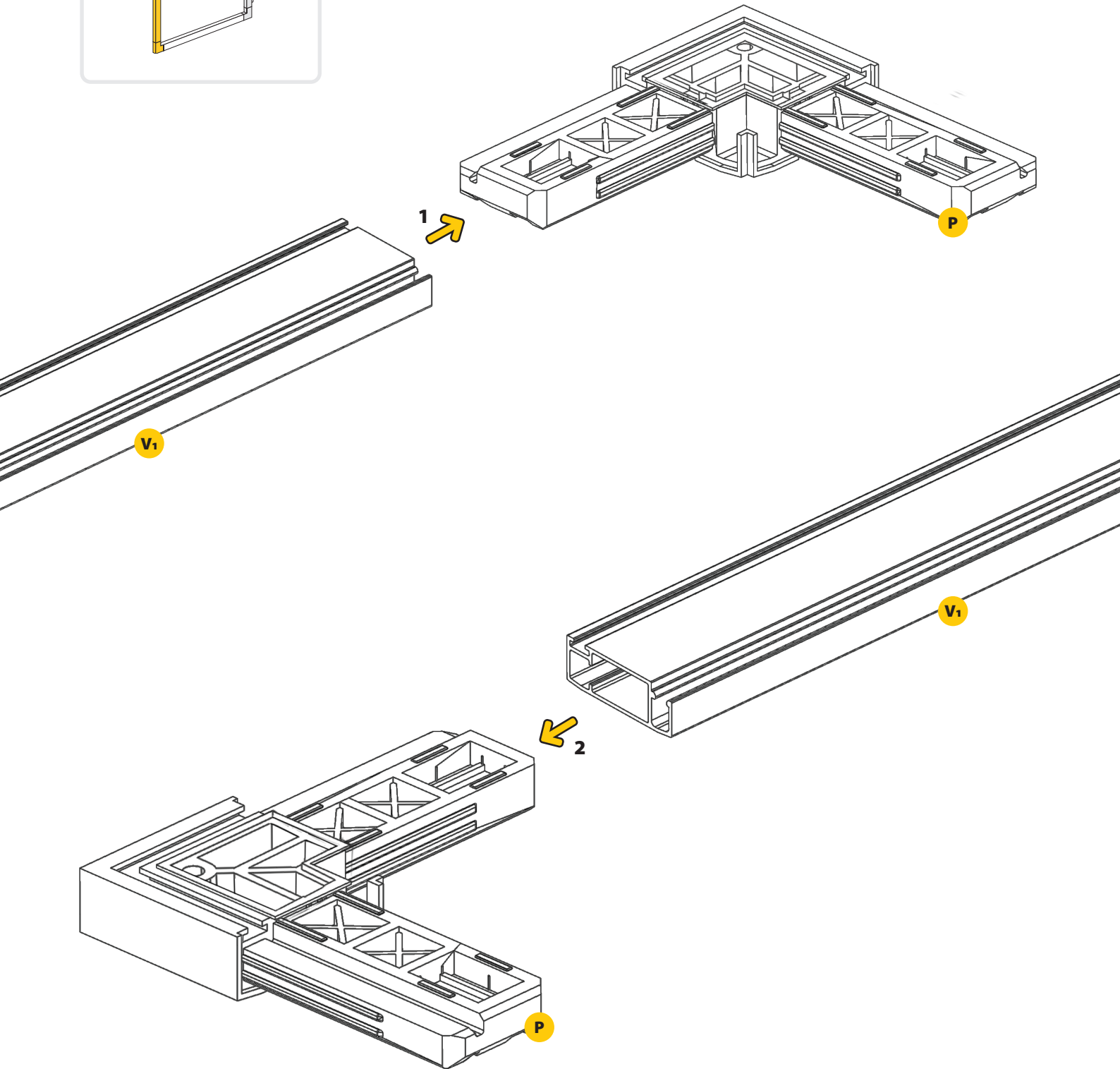
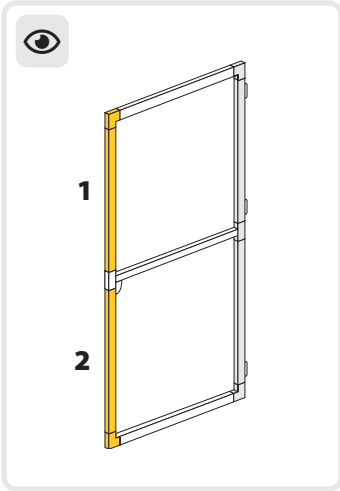
6 OPT 2



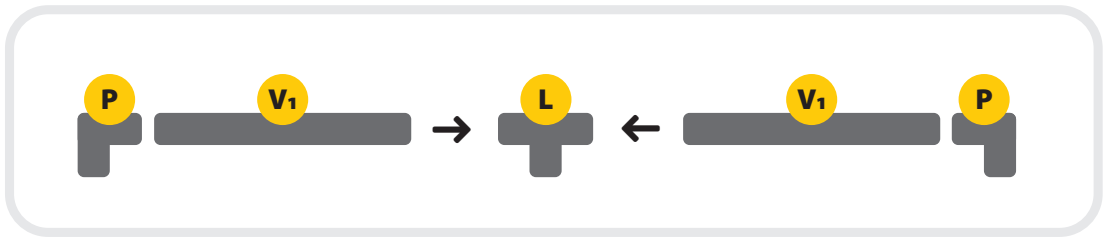
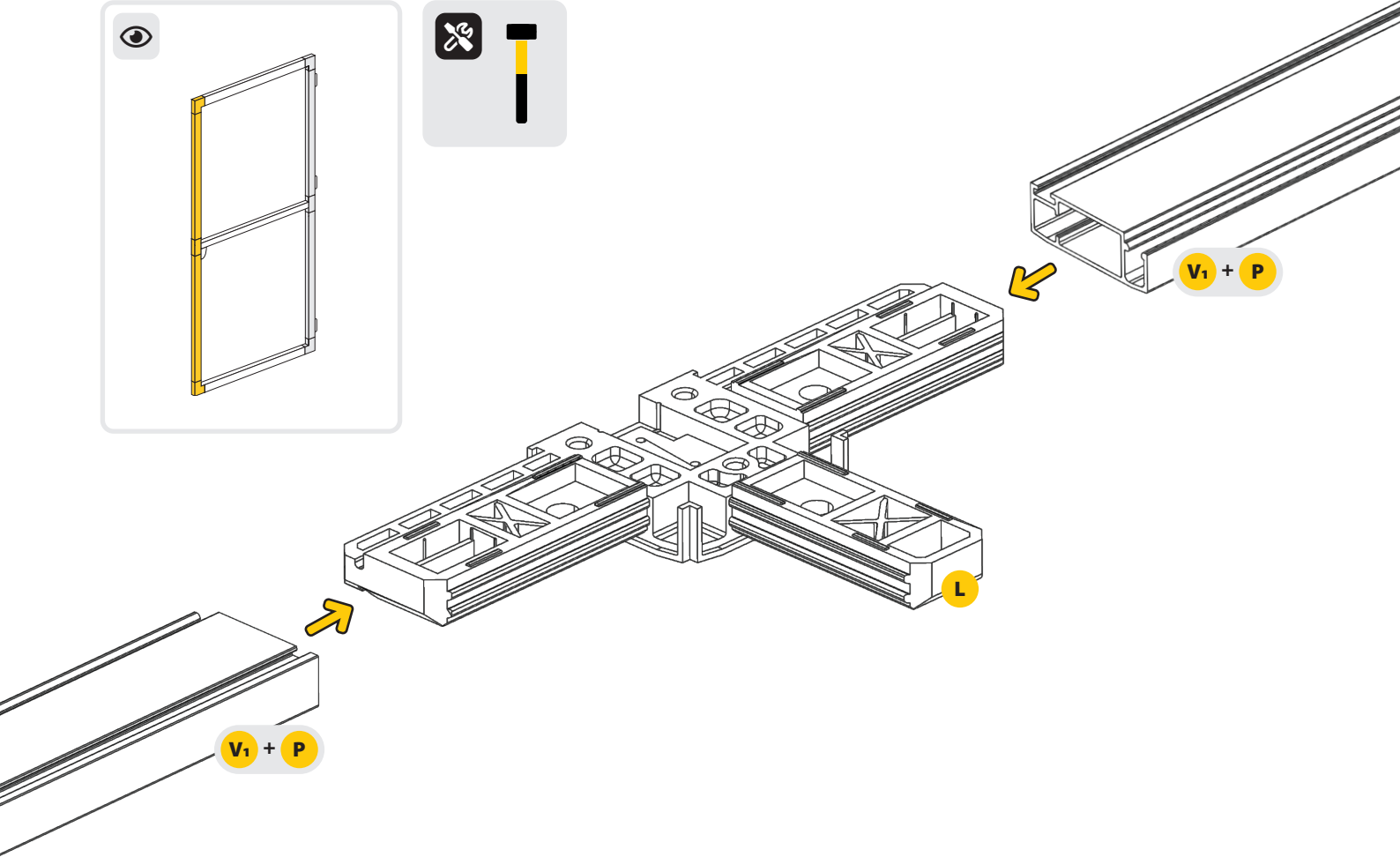
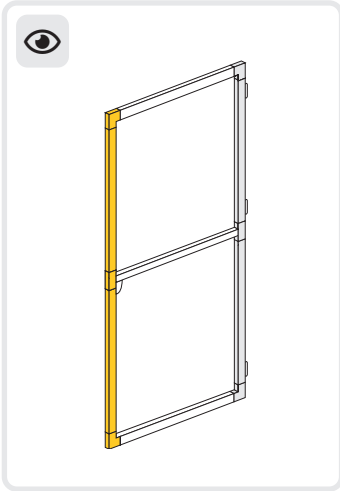
7 OPT 2



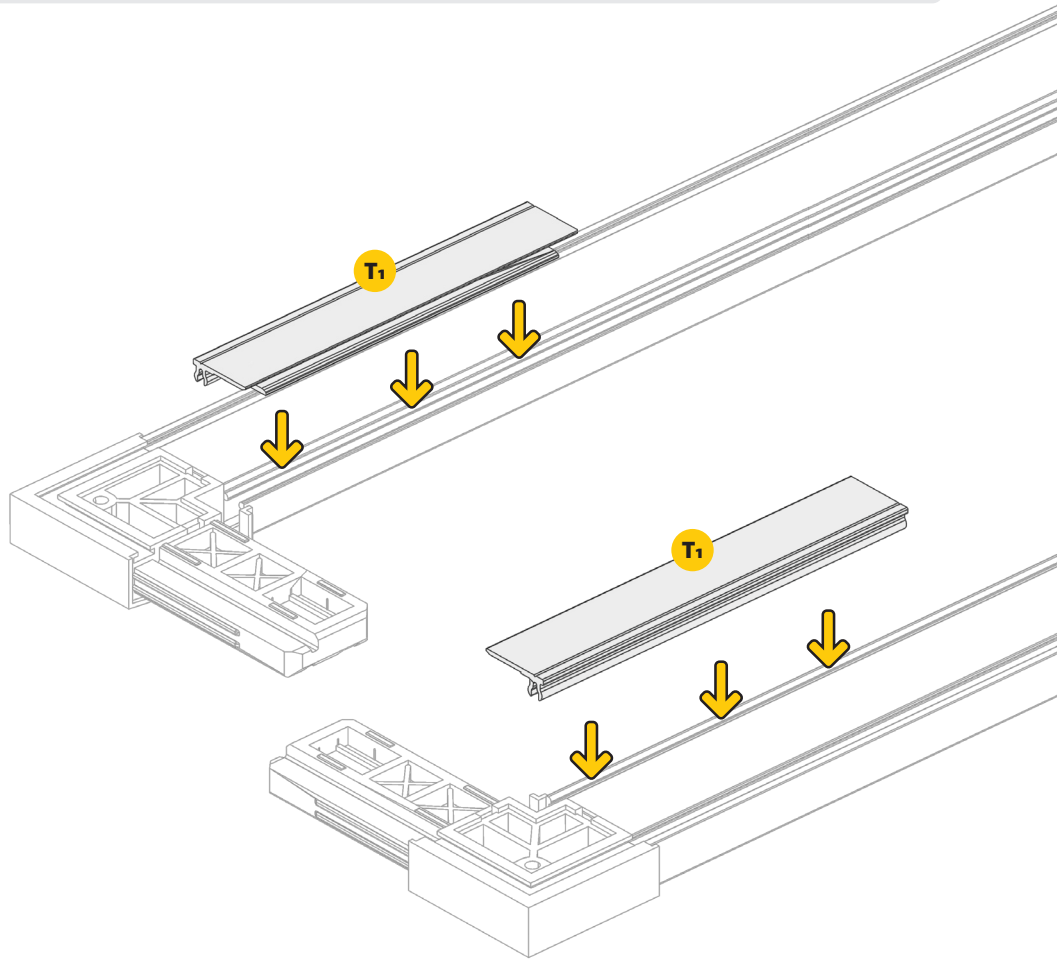
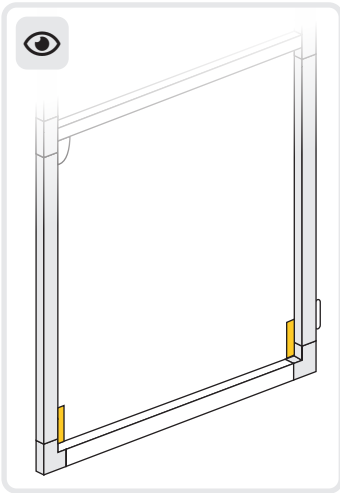
8 OPT 2



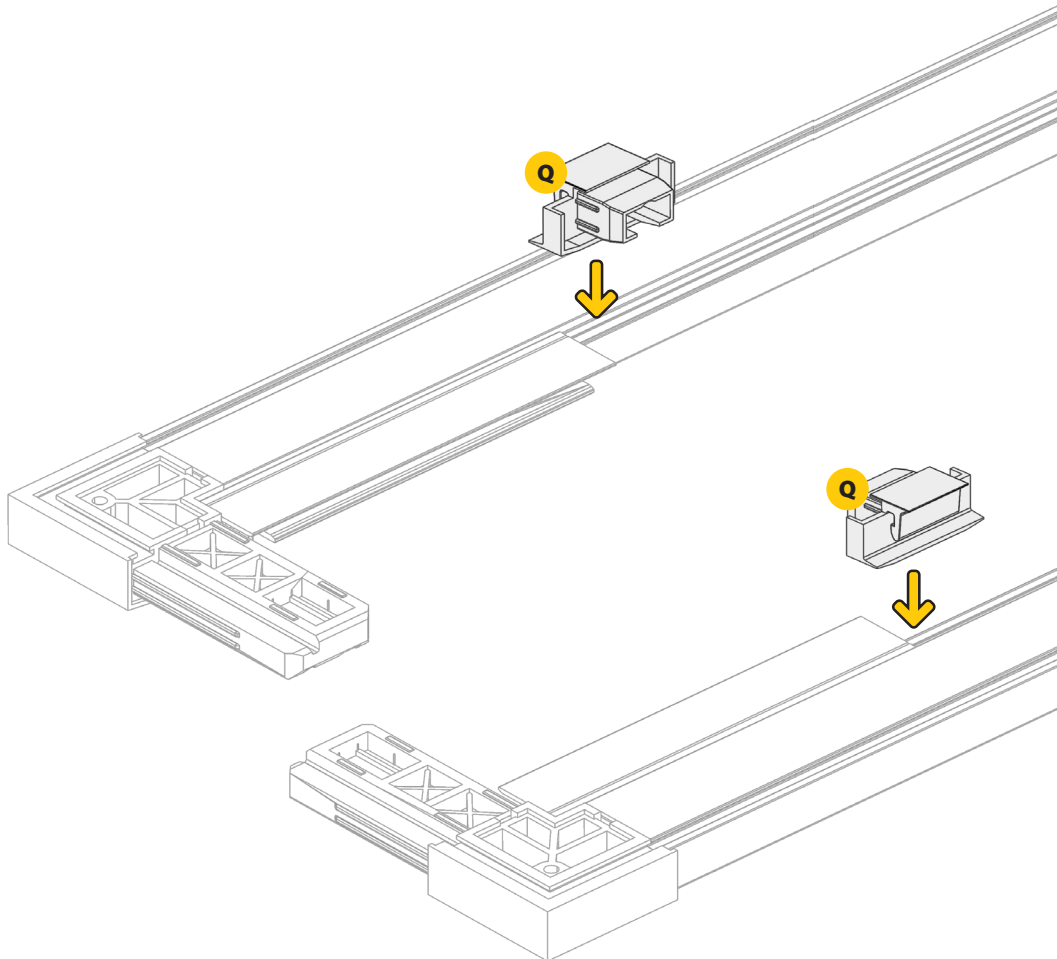
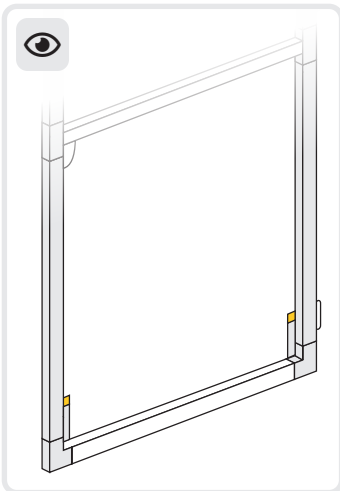
9 OPT 2



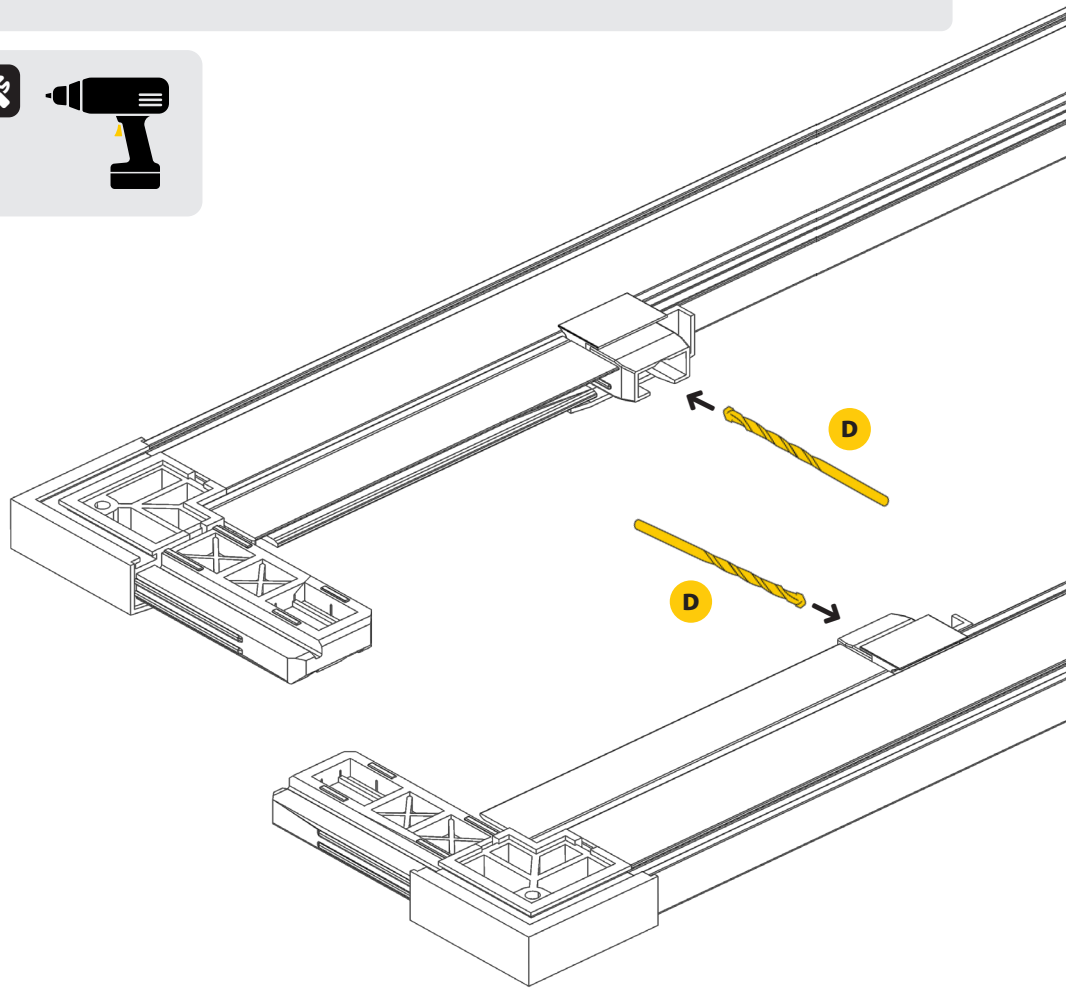
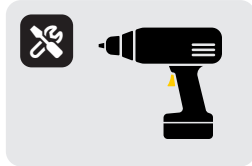
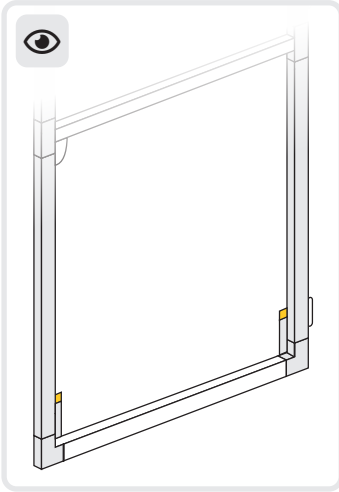
10 OPT 2



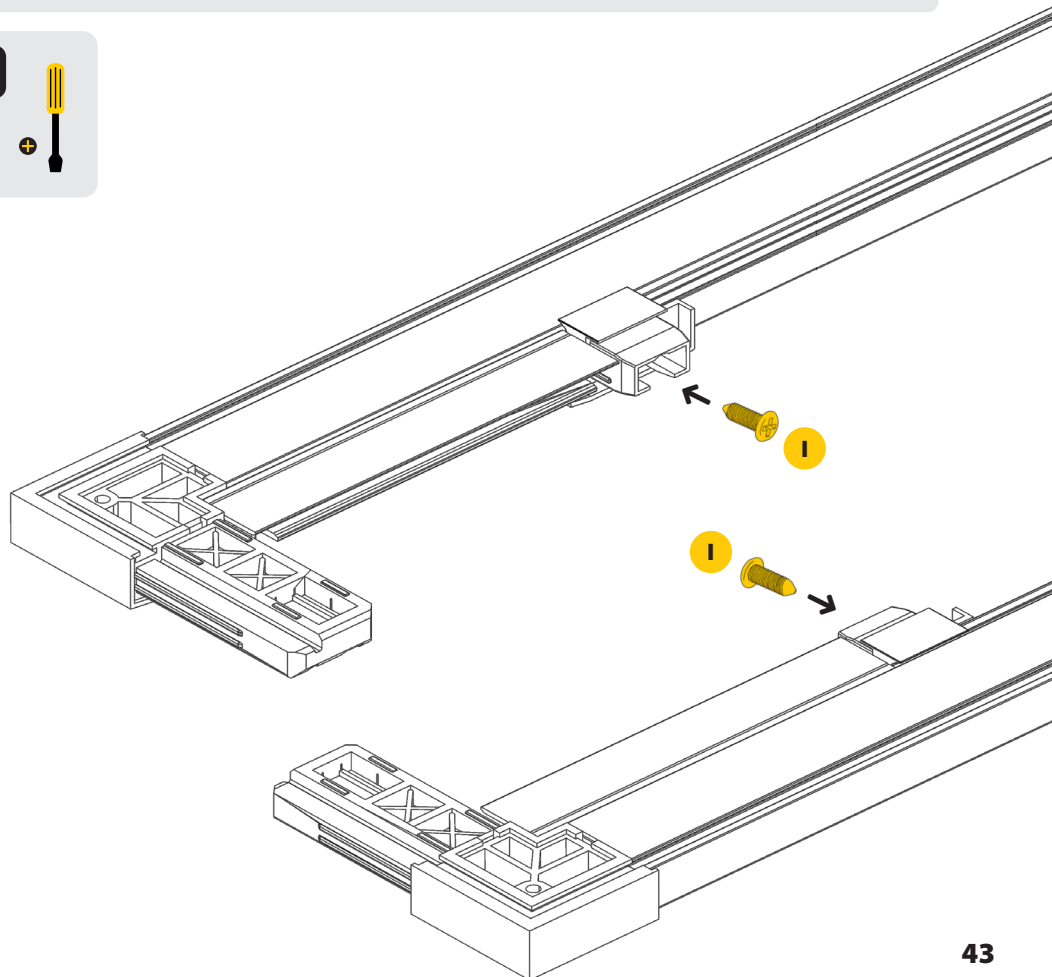
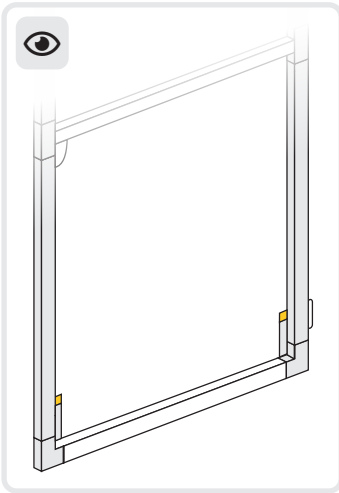
11 OPT 2

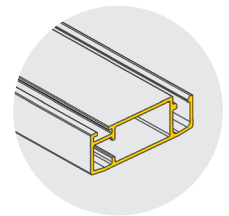
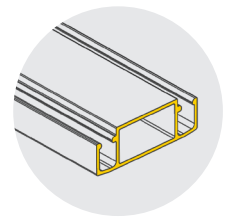
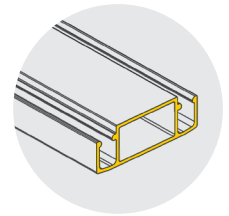
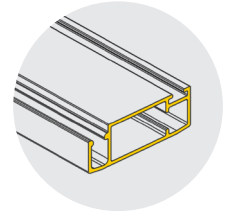
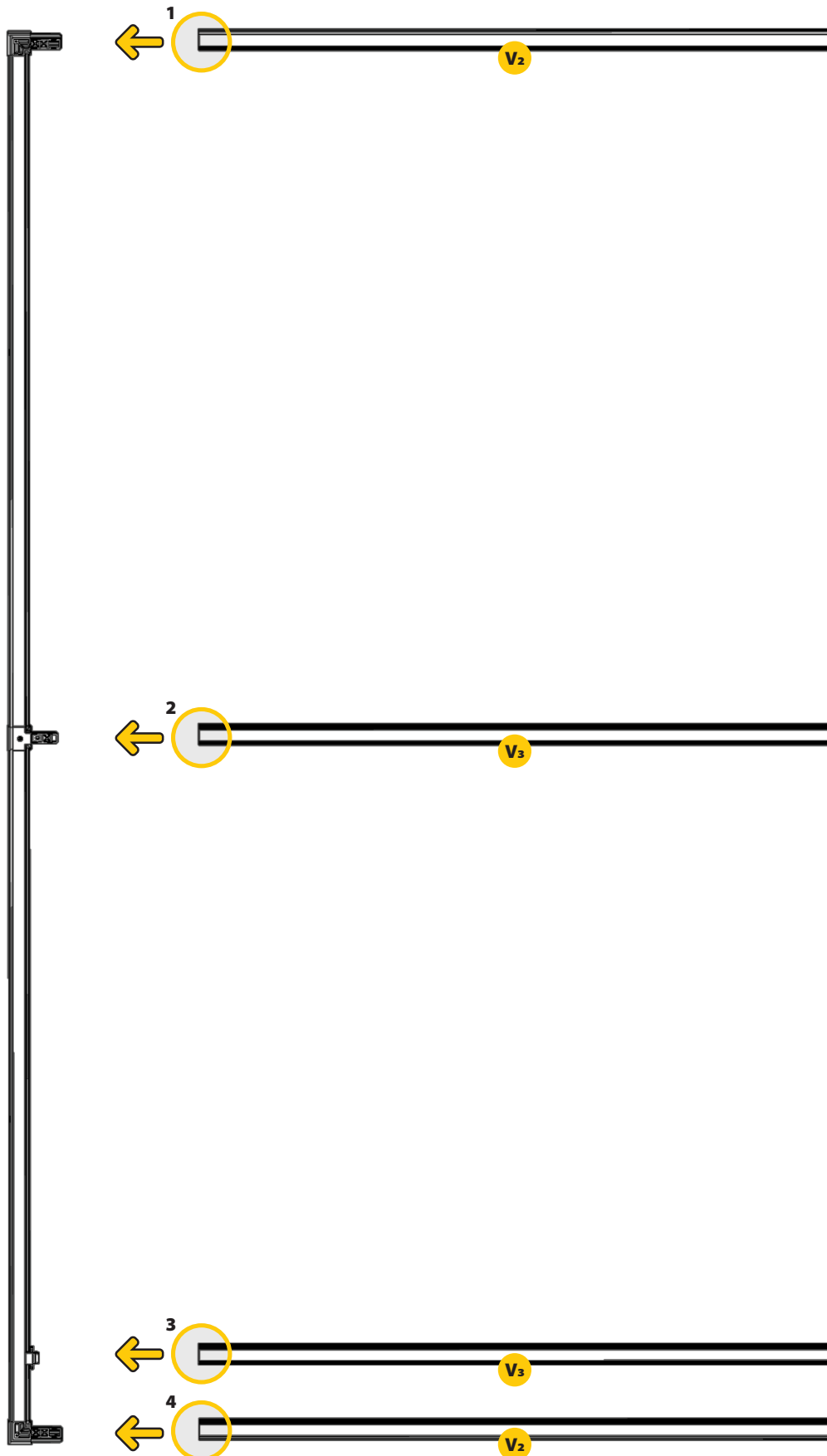


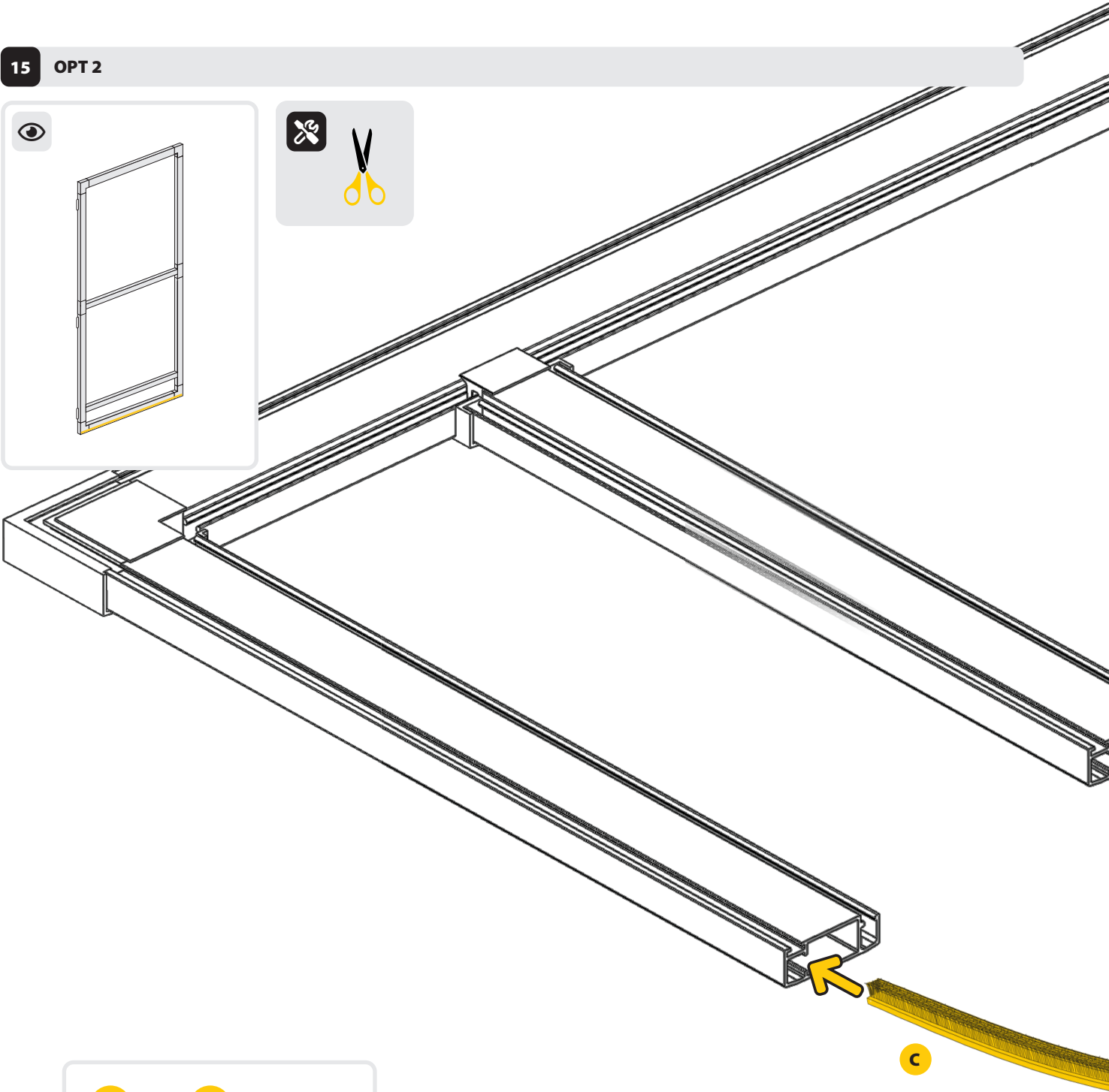
12 OPT 2



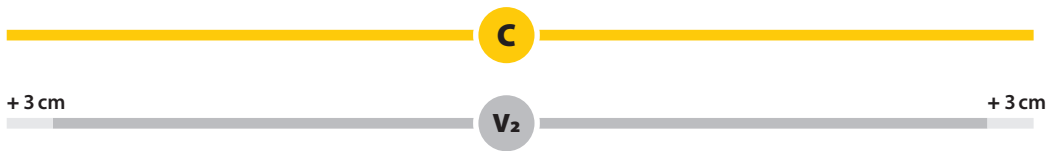
13 OPT 2

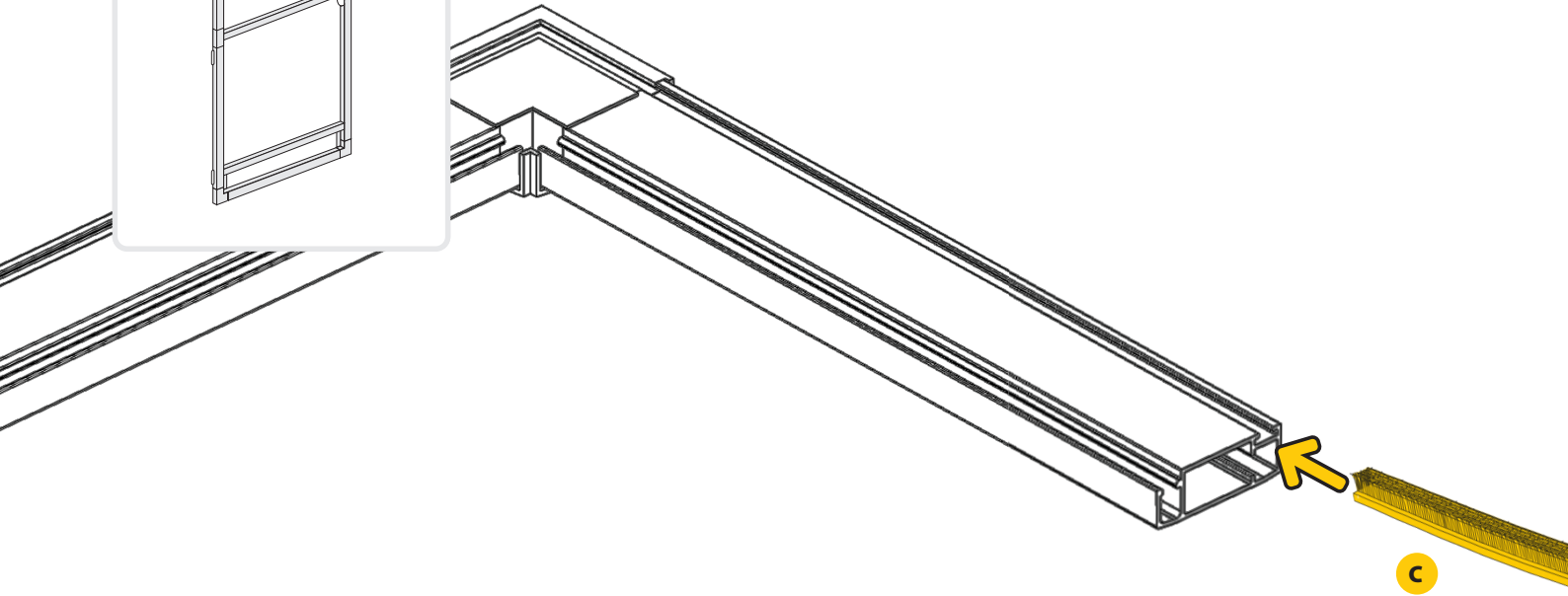




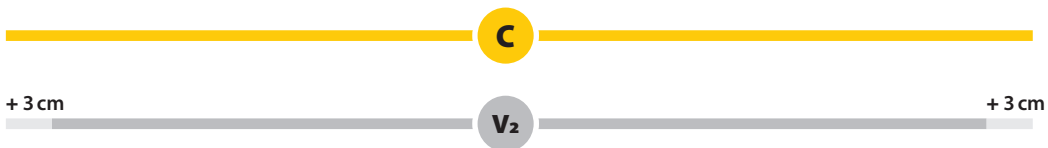


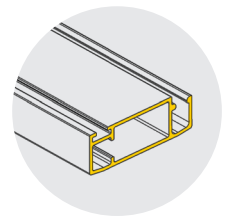
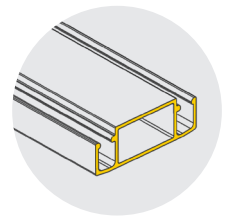
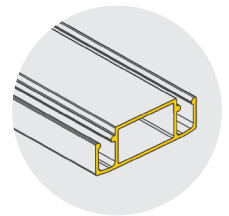
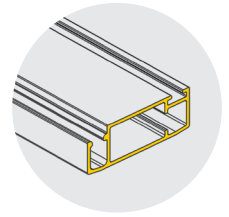
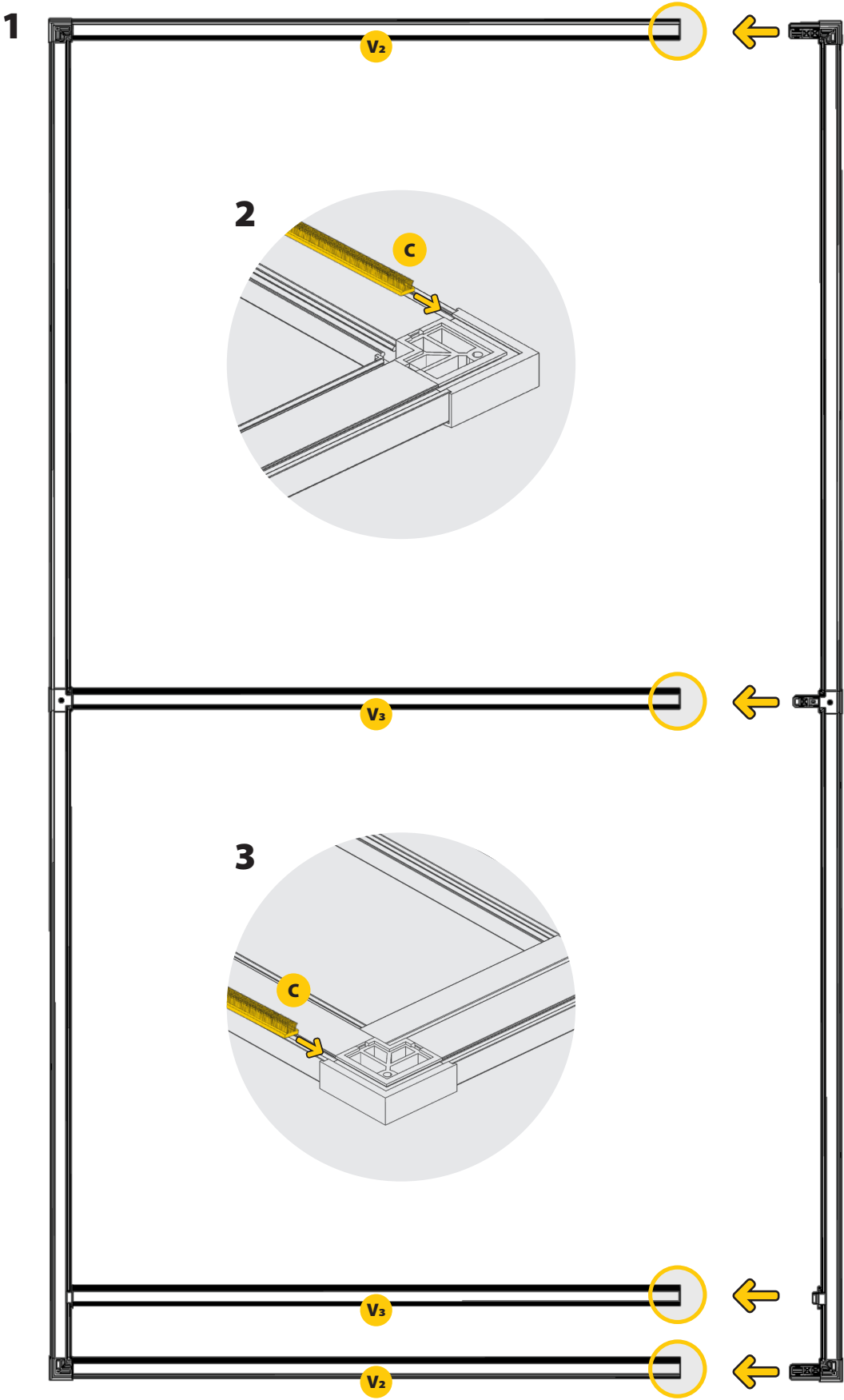
$$c = v_2 + 6 \text{ cm}$$



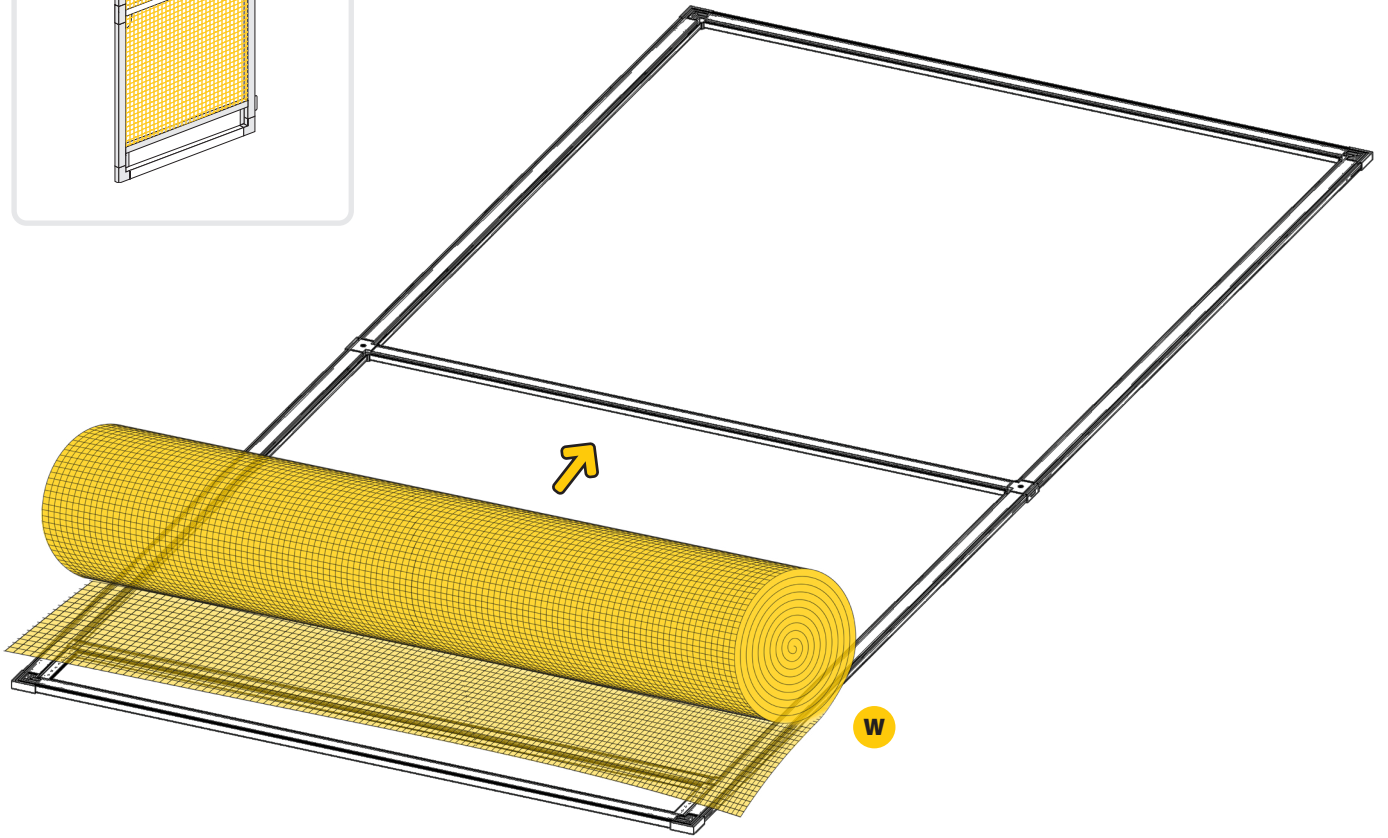
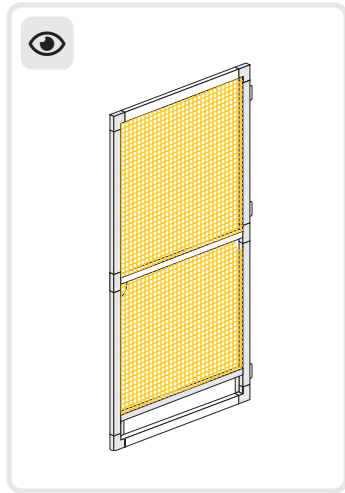


$$c = v_2 + 6 \text{ cm}$$

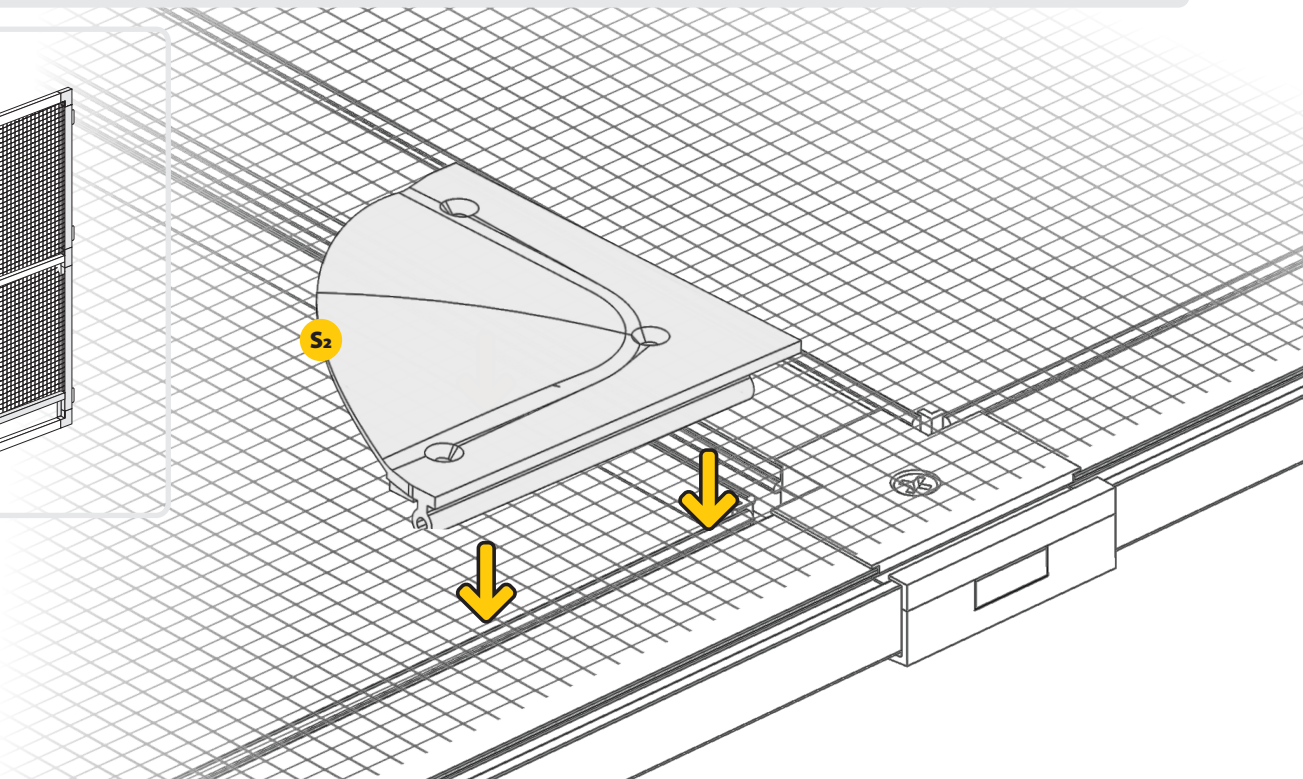
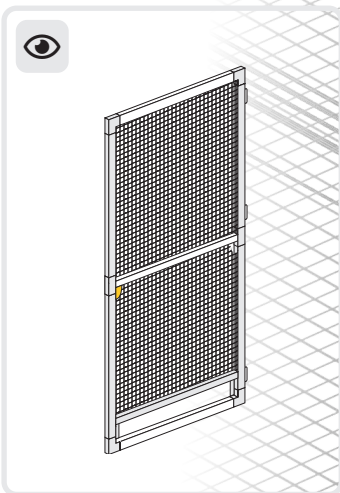


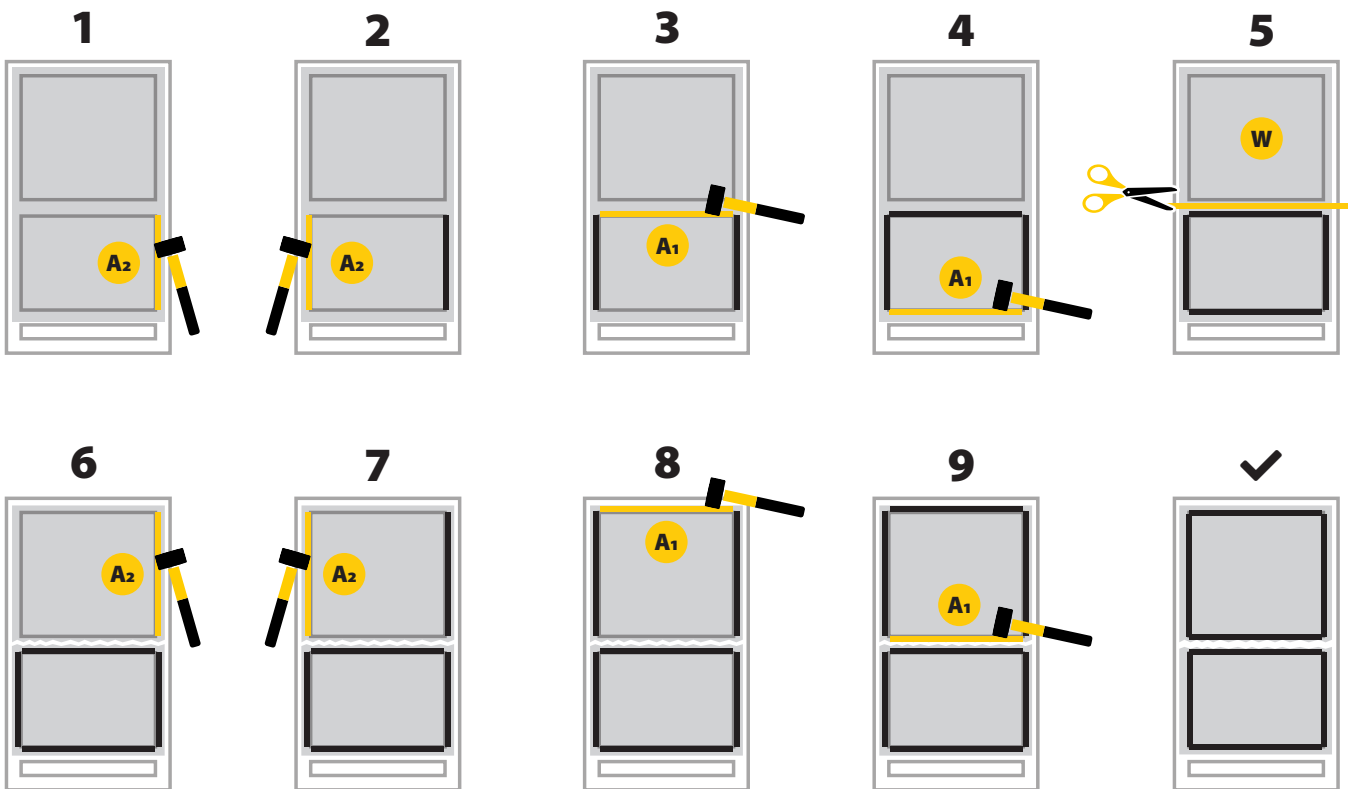
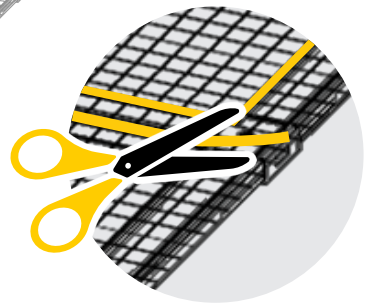
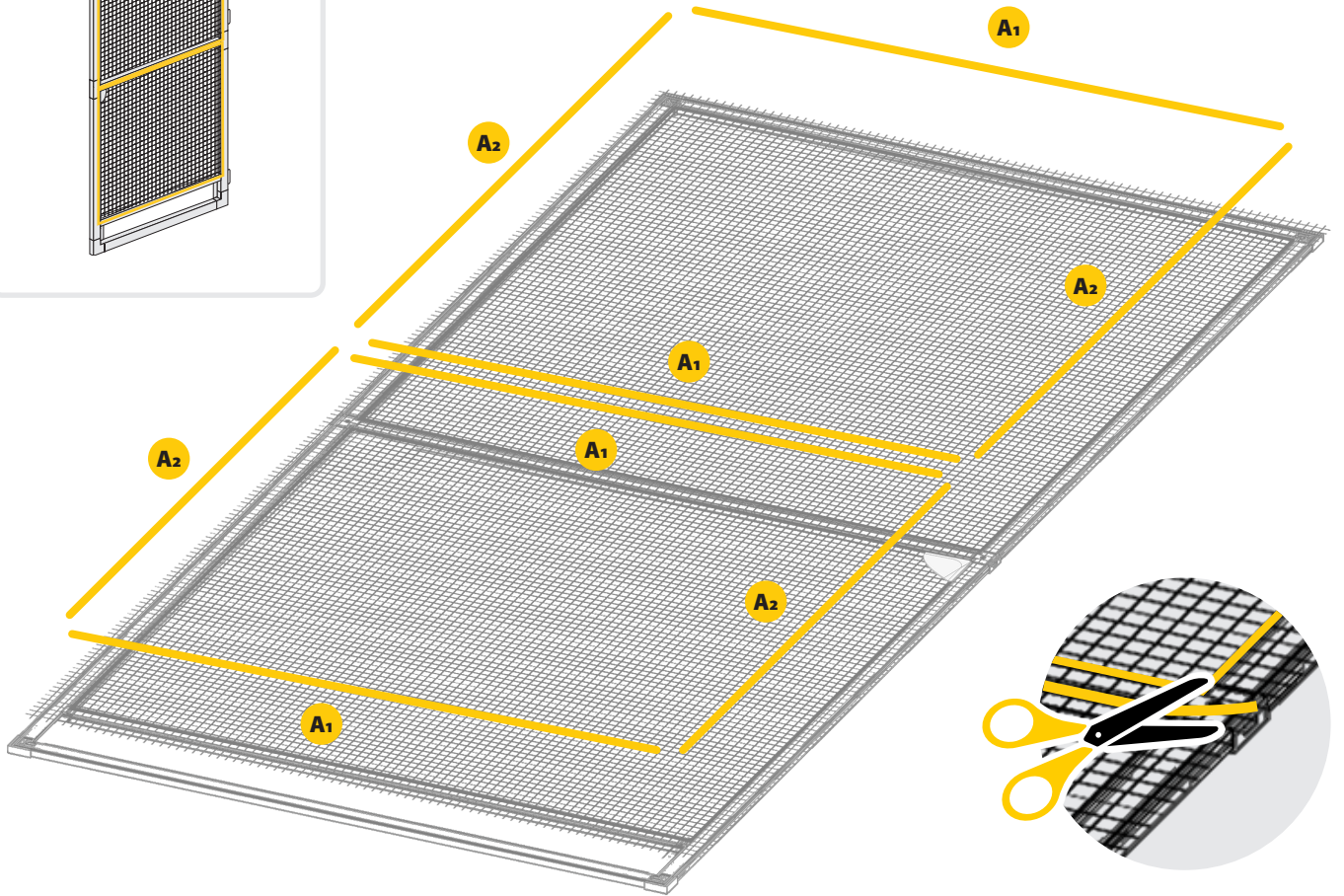
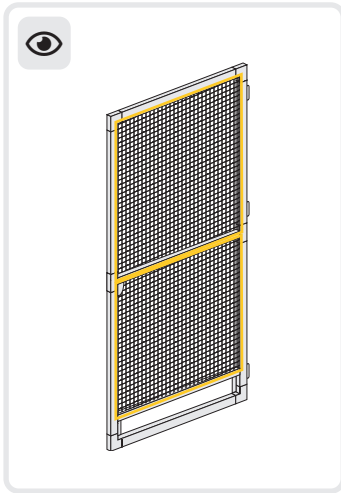


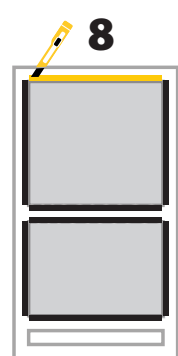
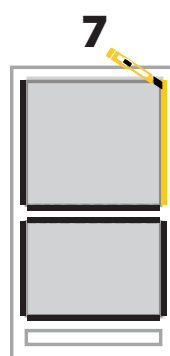
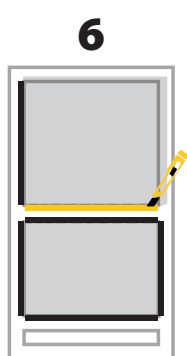
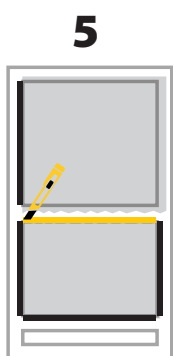
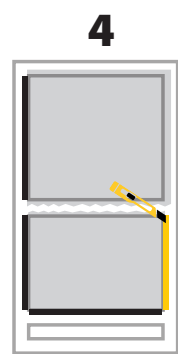
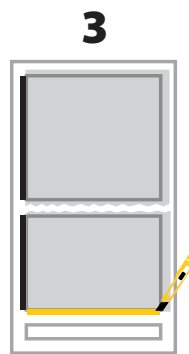
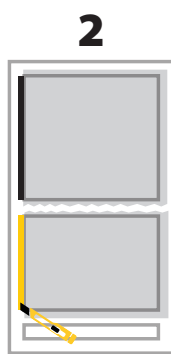
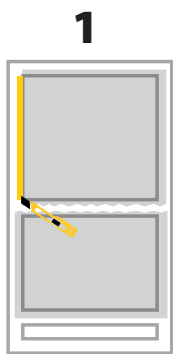
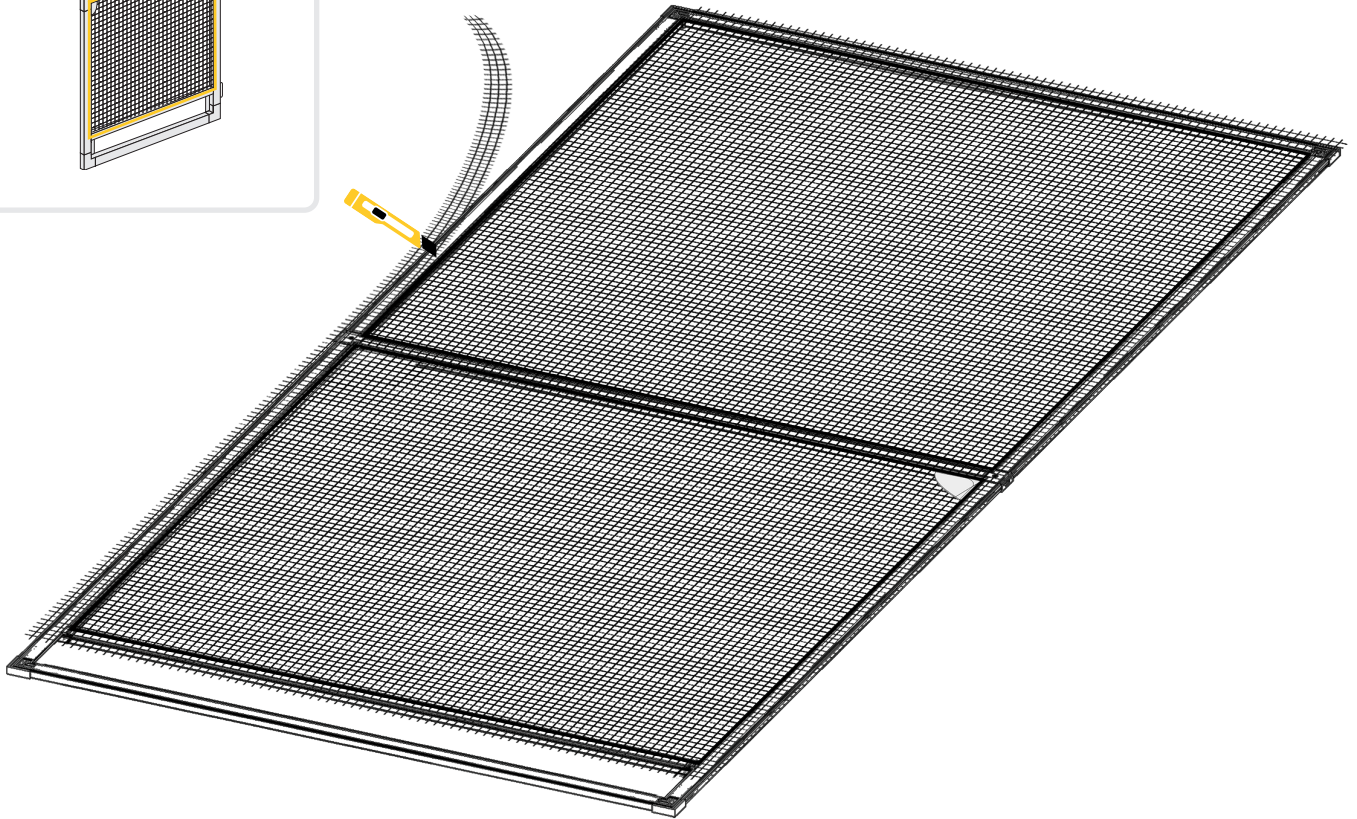
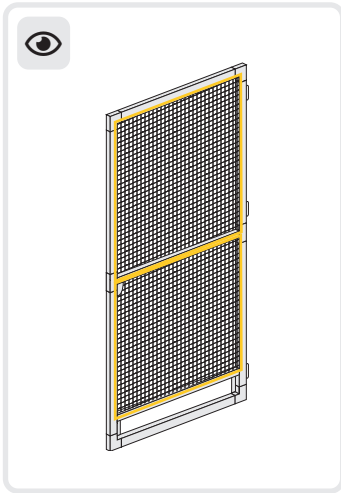
18 OPT 2

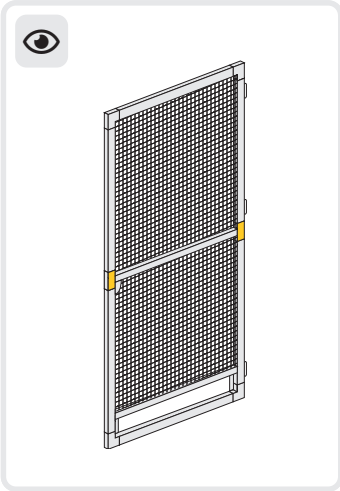


19 OPT 1

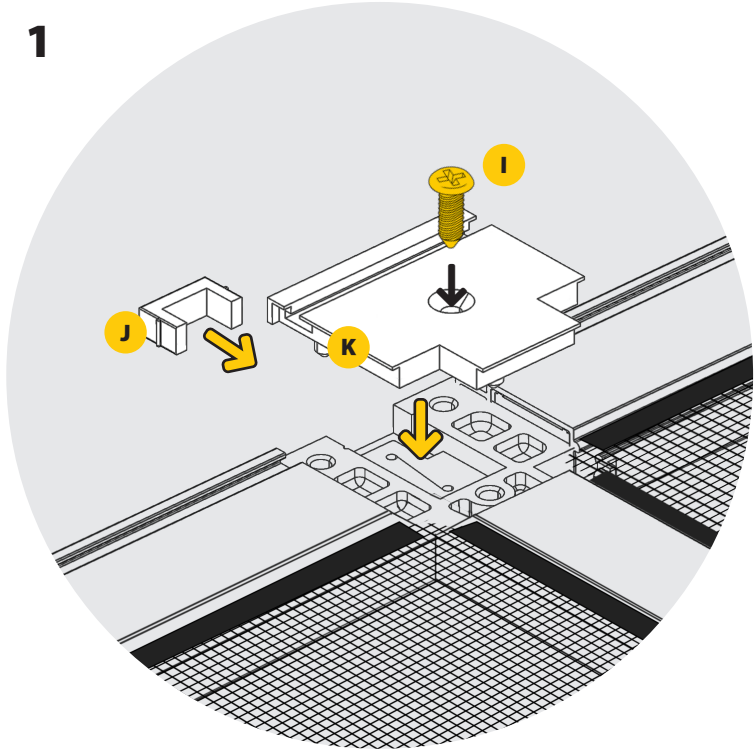




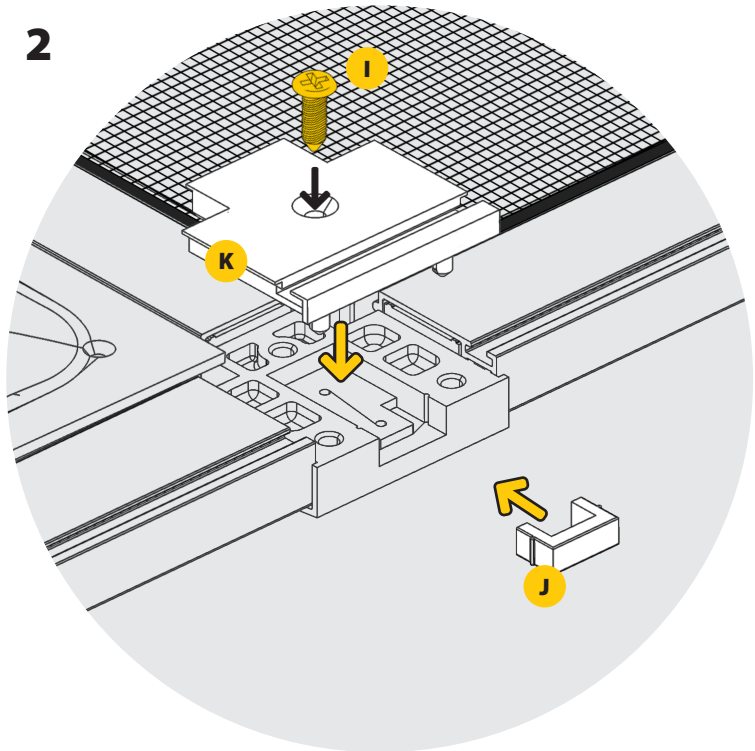




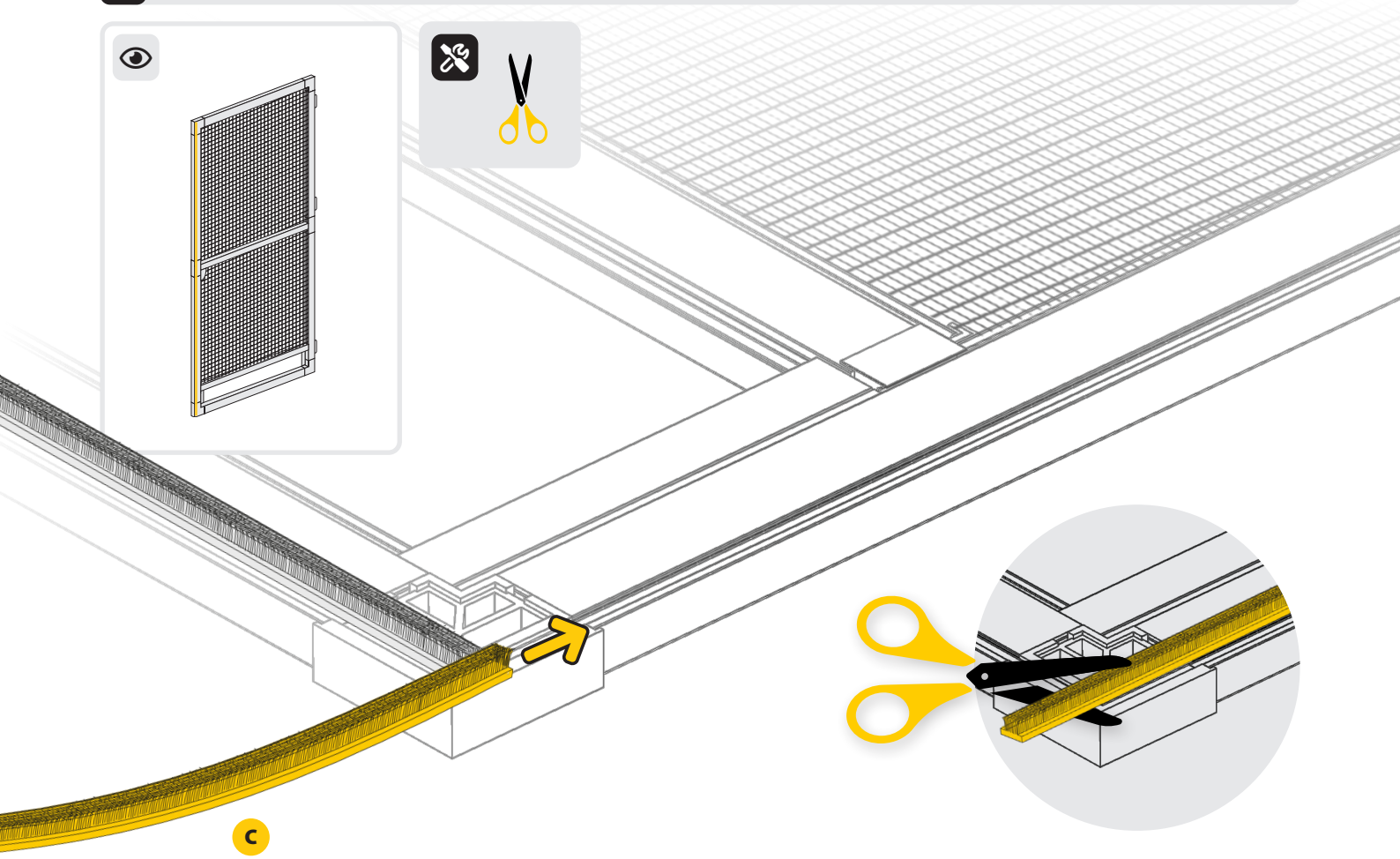
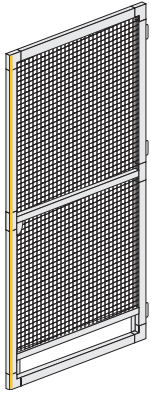
1



2

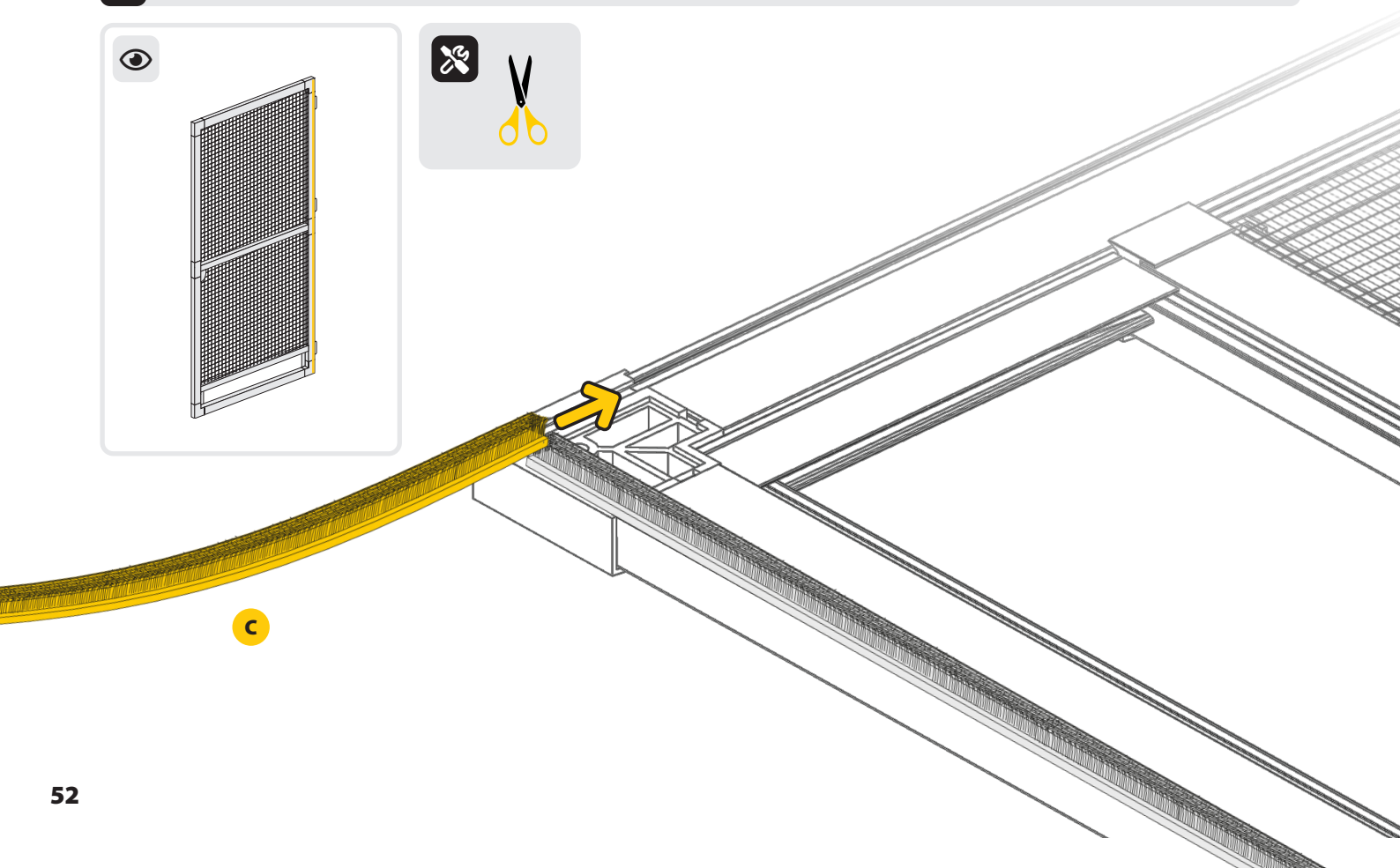
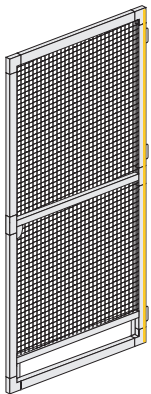


23 OPT 2

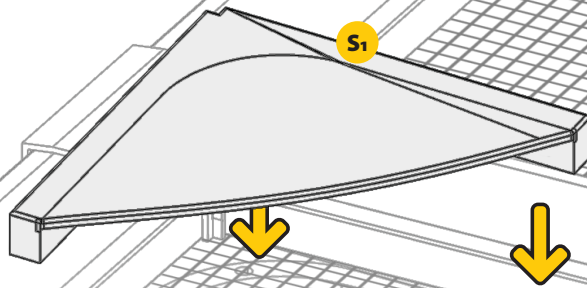
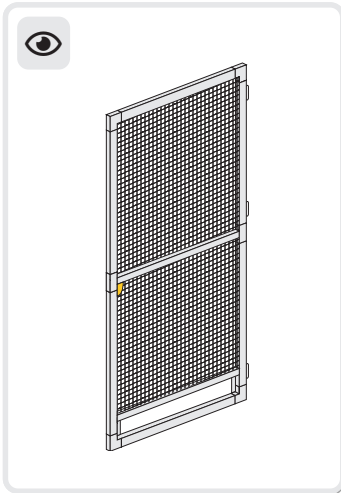


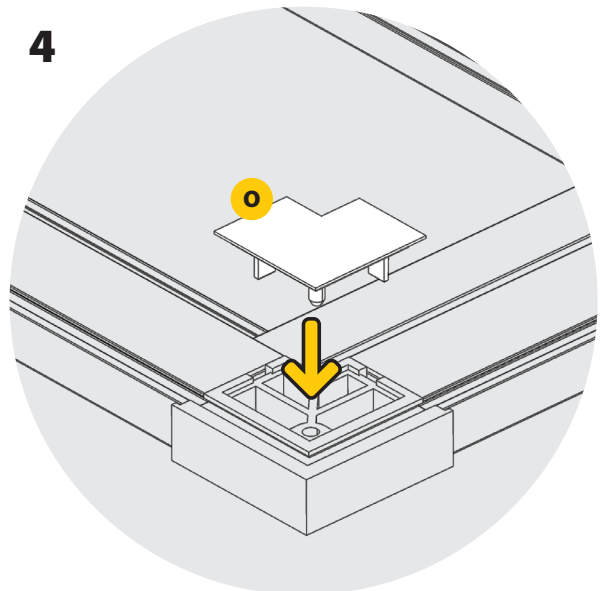
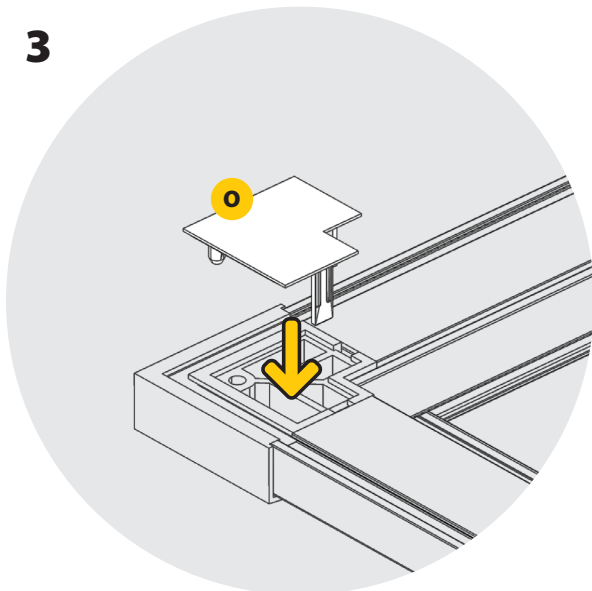
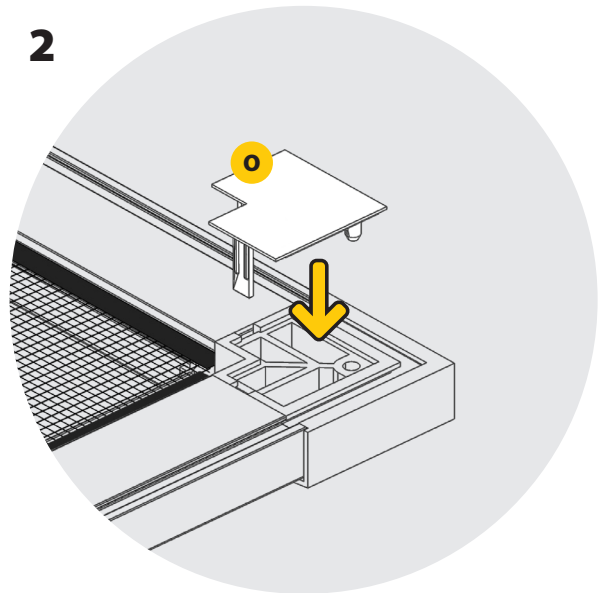
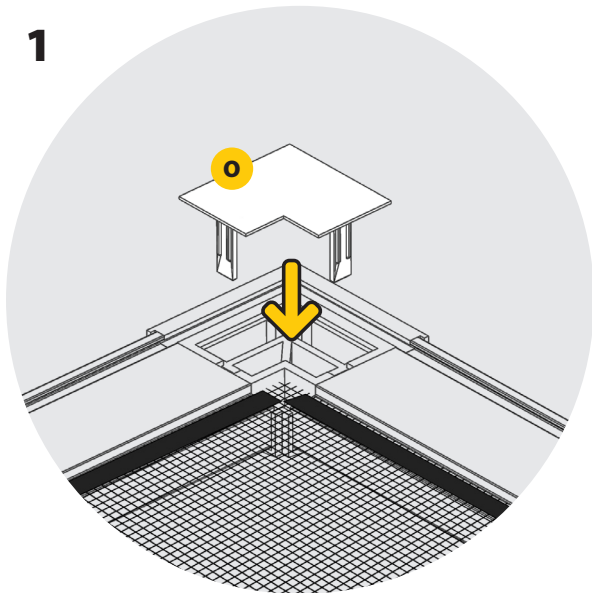
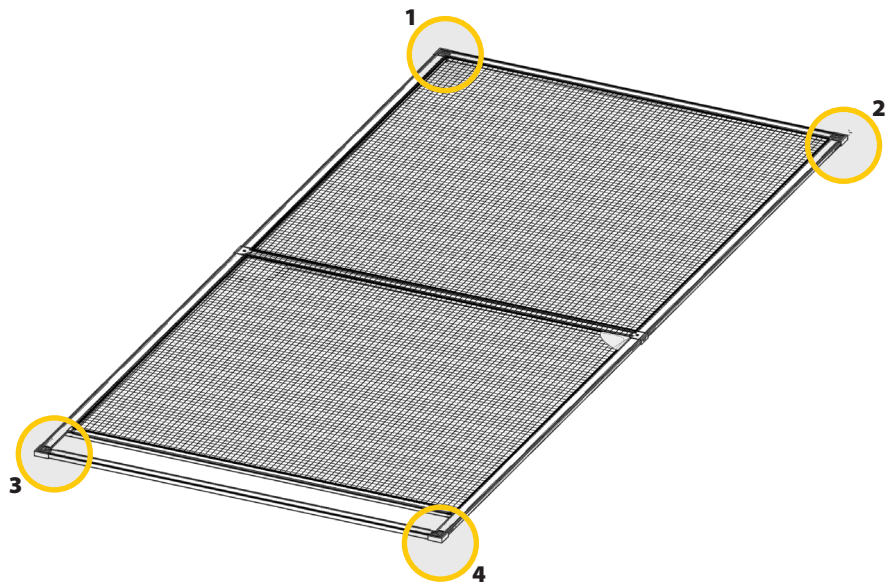
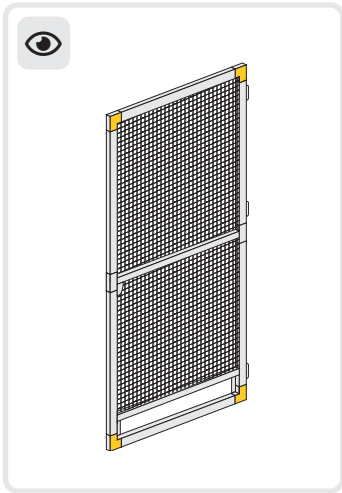
C

24 OPT 2

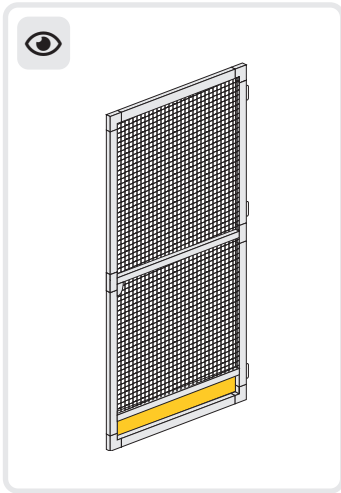


C

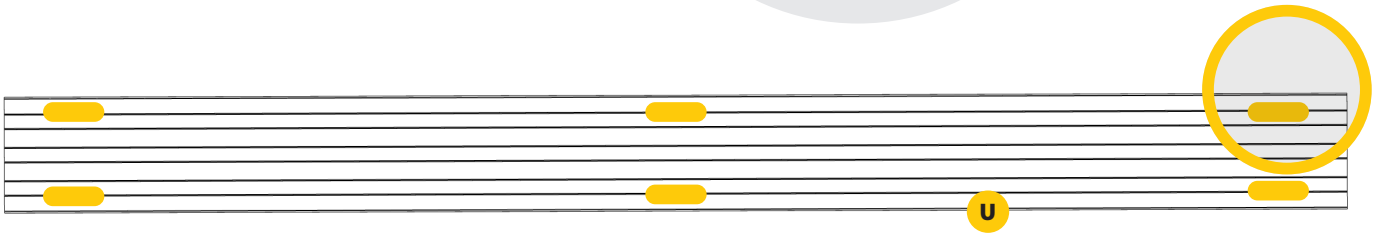
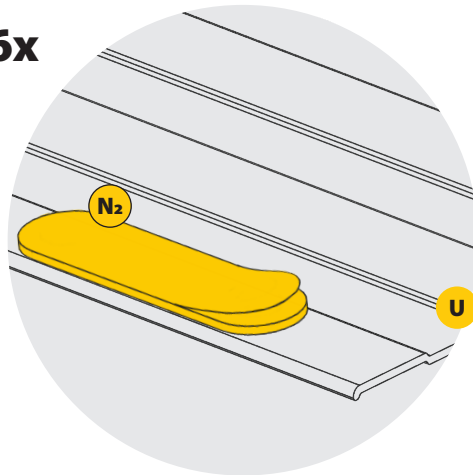




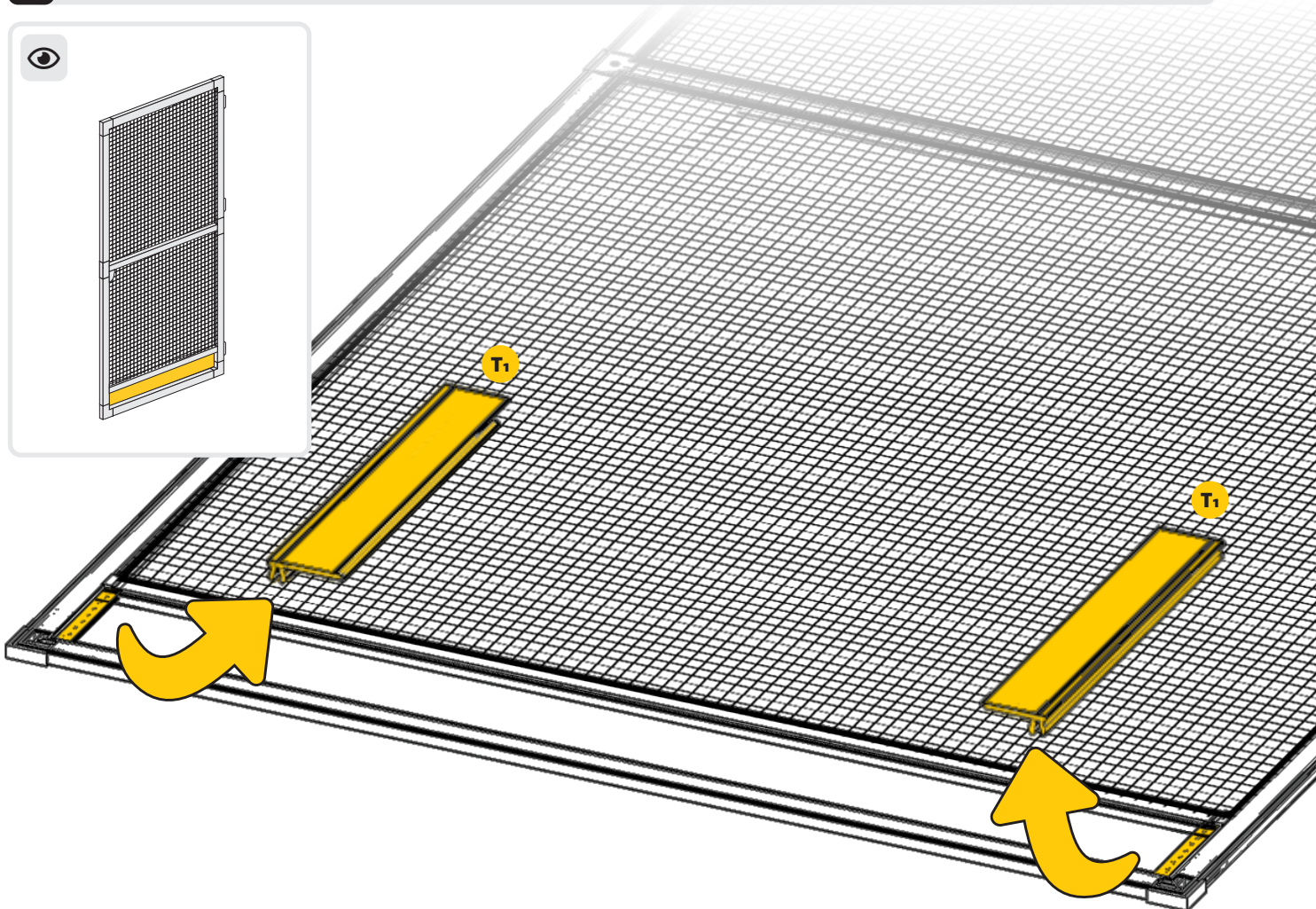
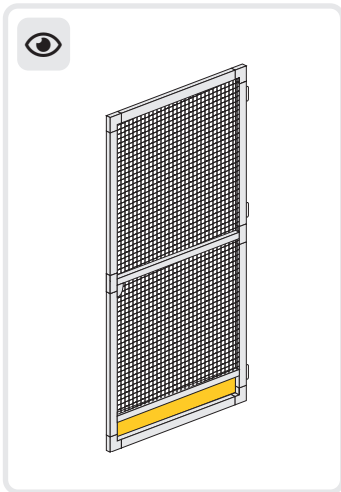
27 OPT 2

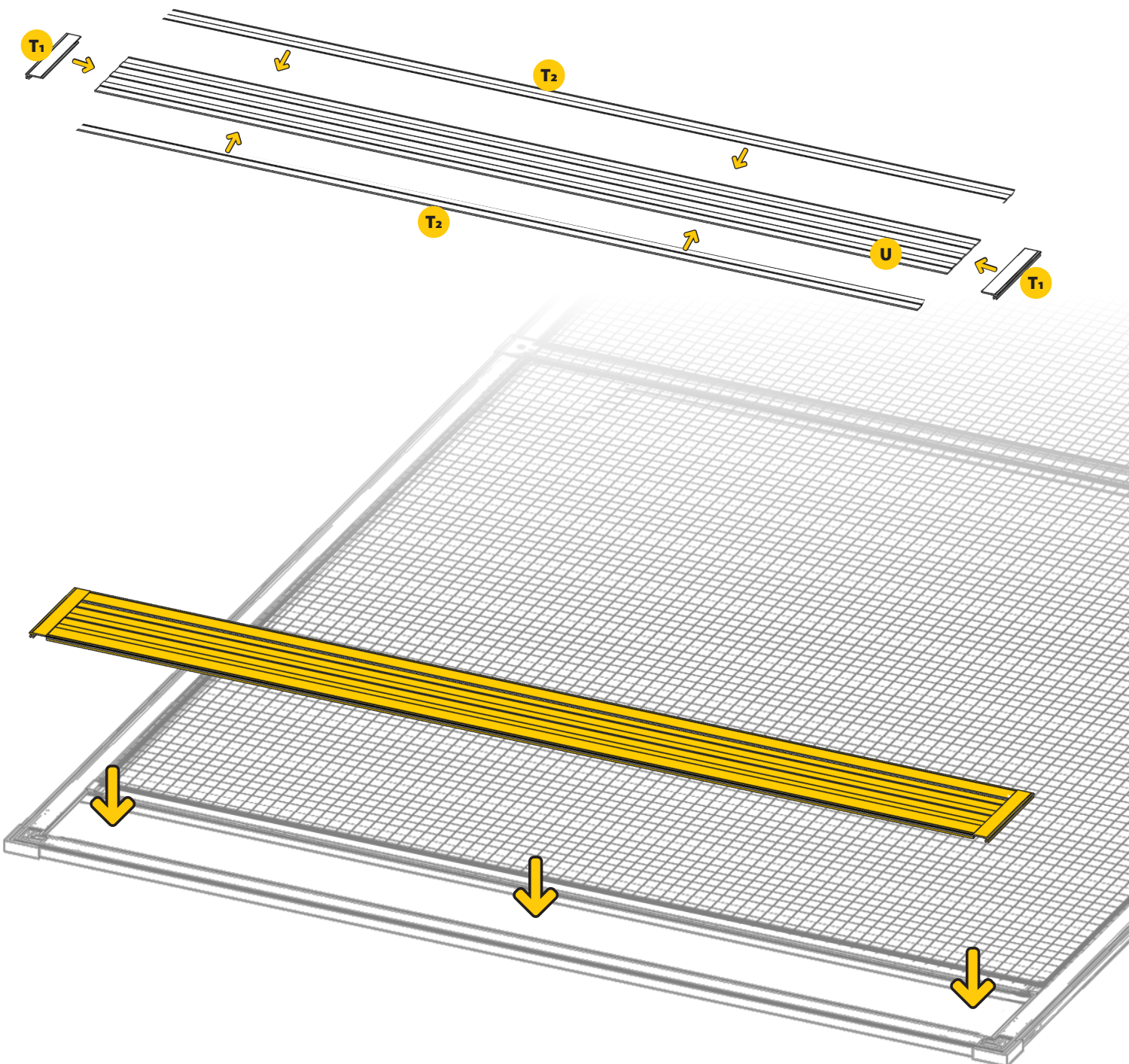
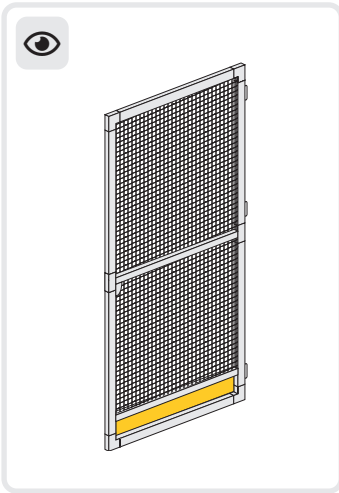


6x

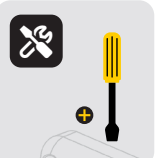


28 OPT 2

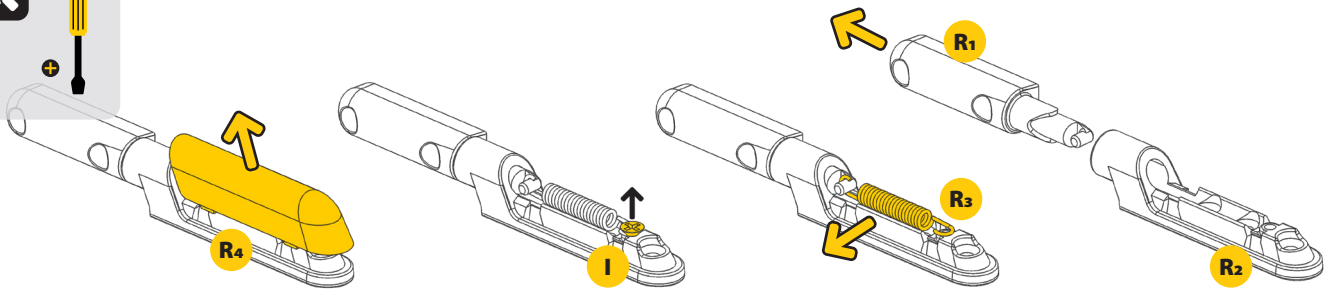




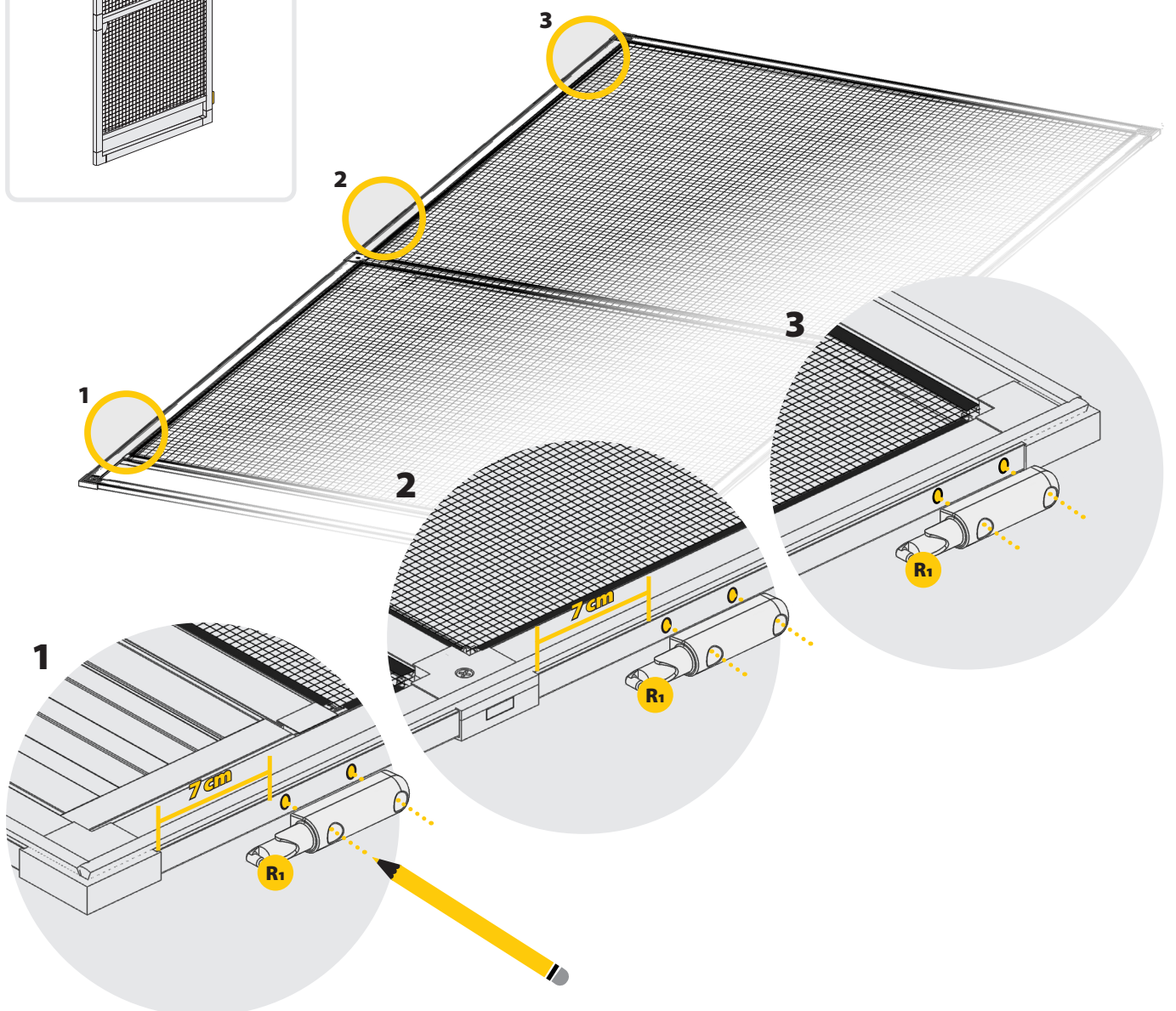
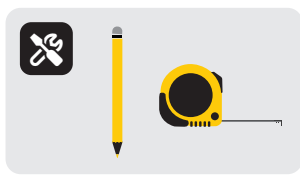
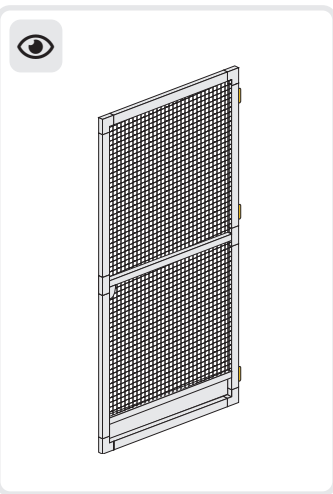
30 OPT 1

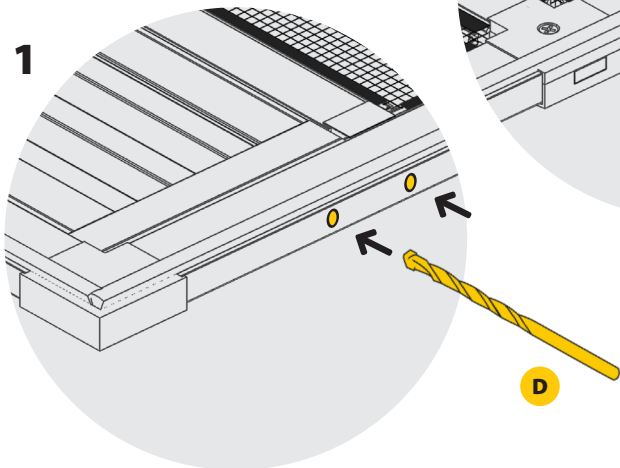
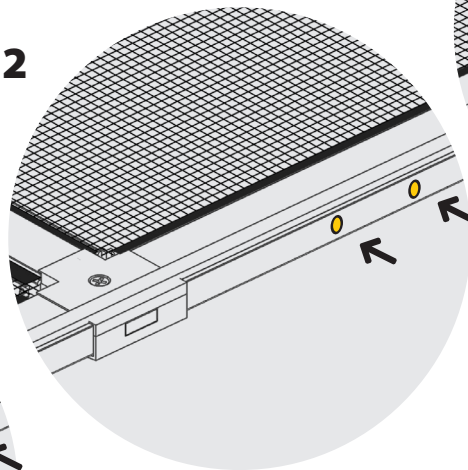
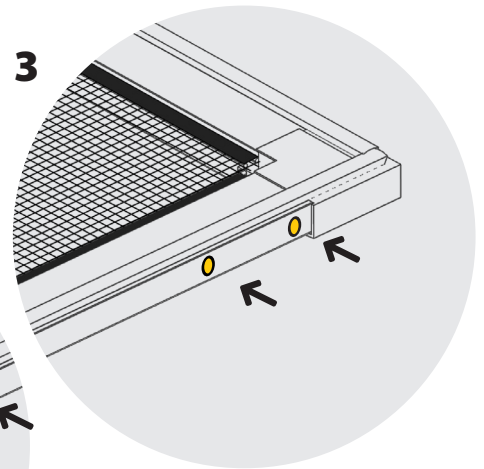
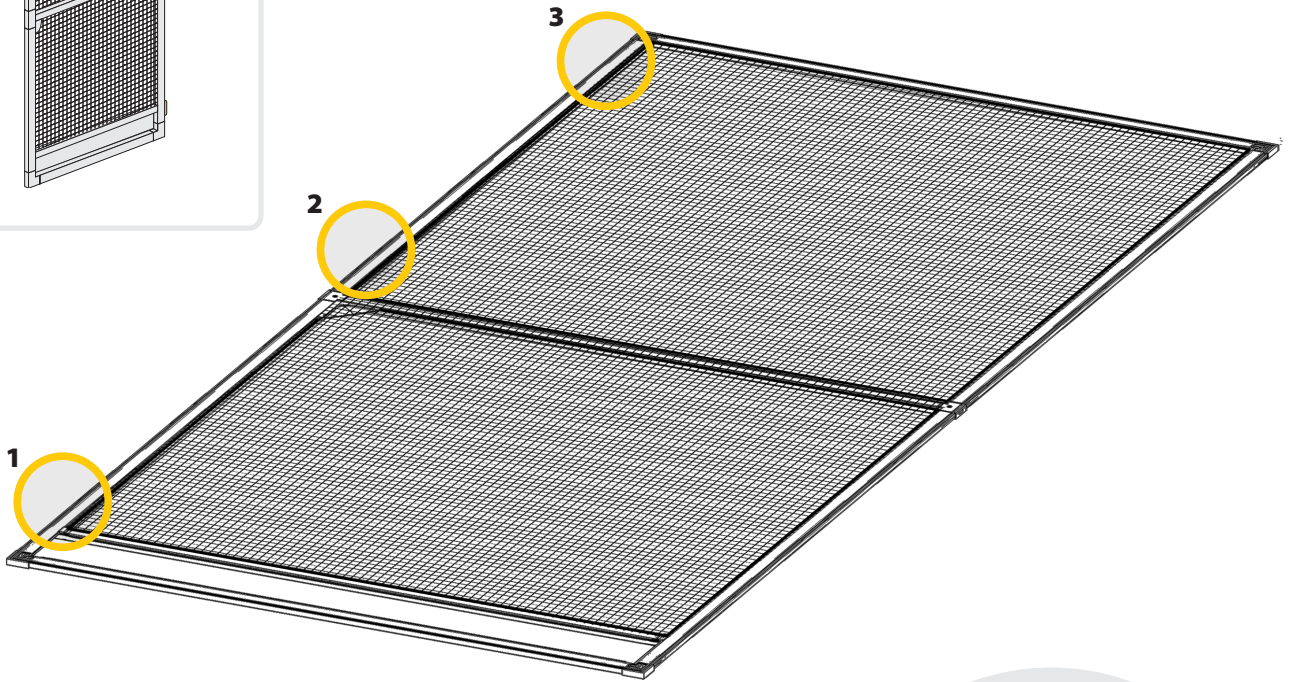
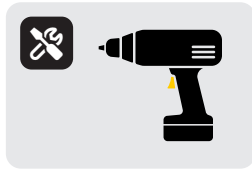
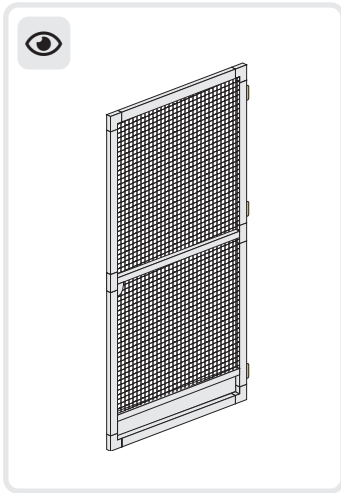


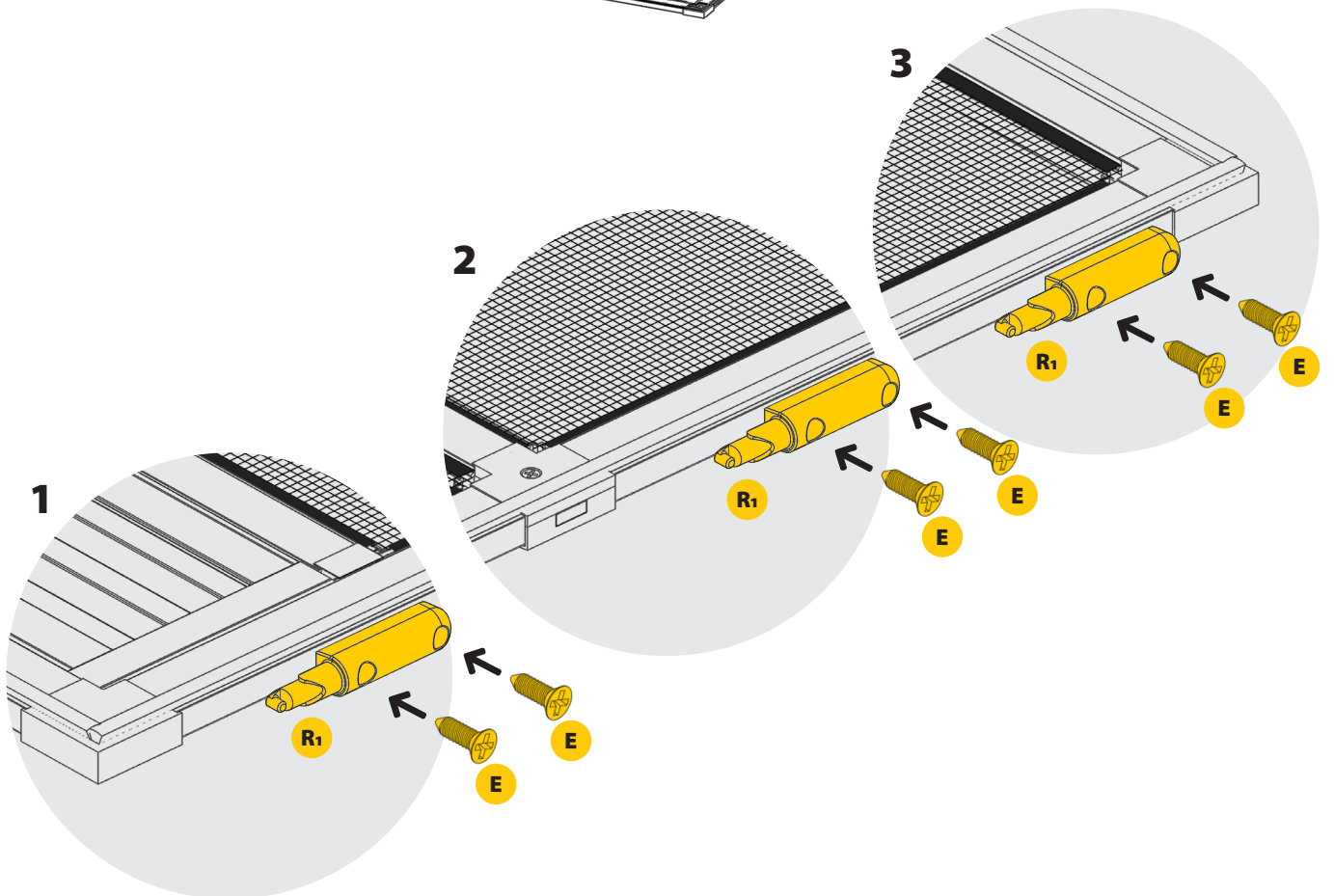
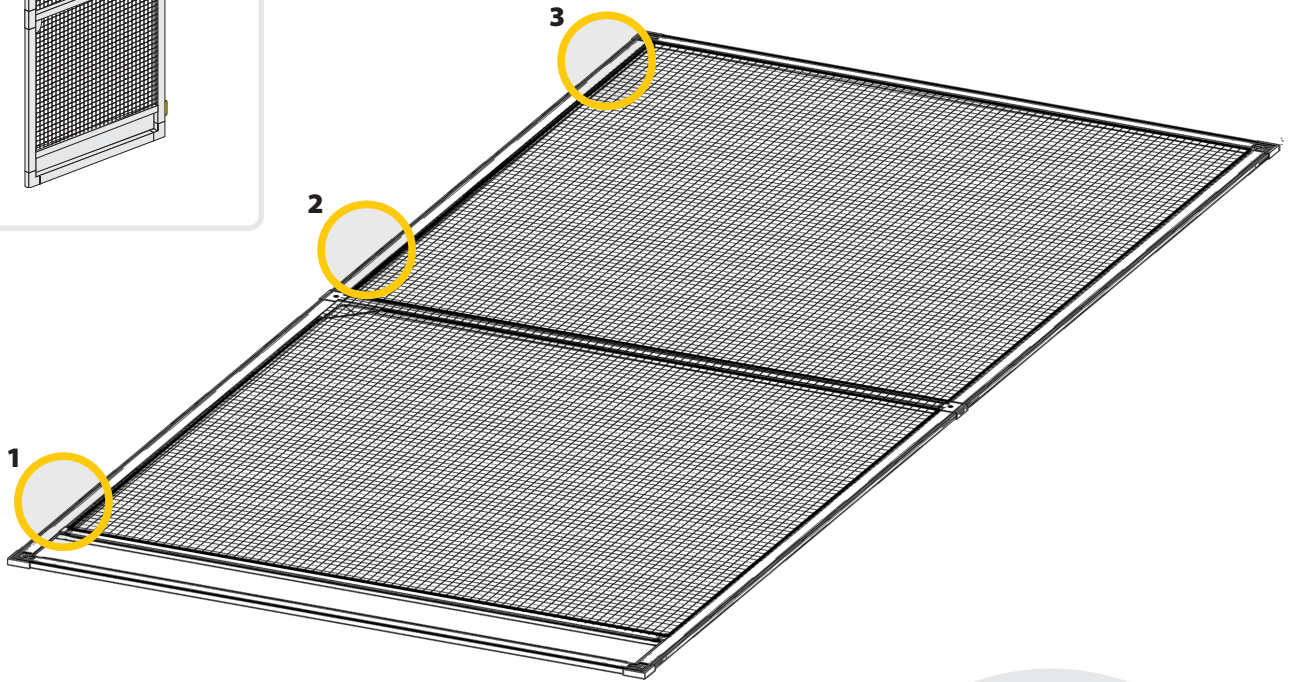
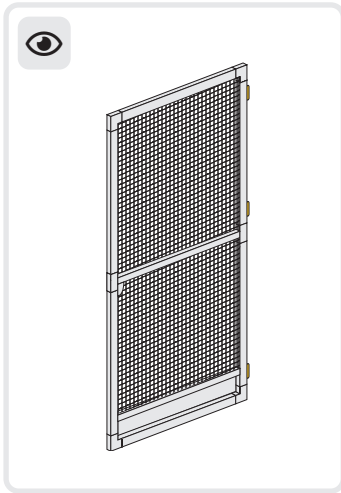
3x R

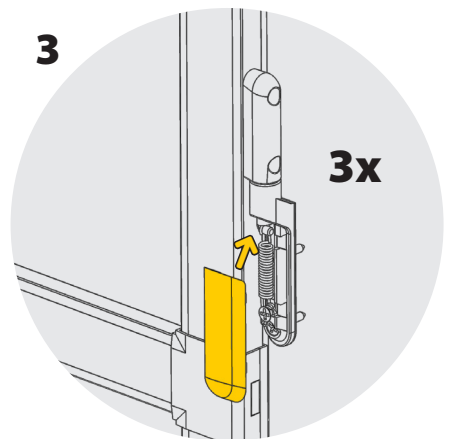
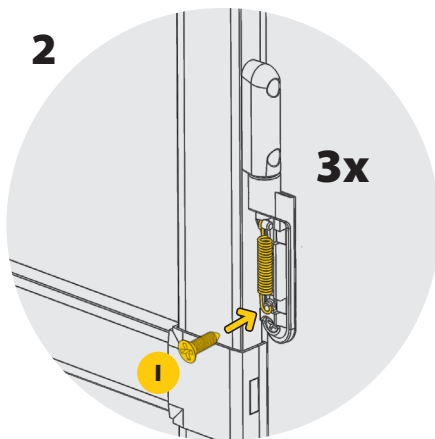
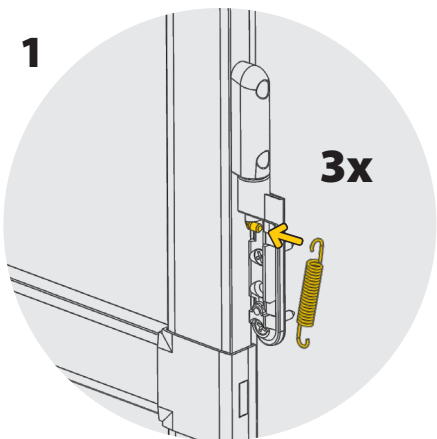
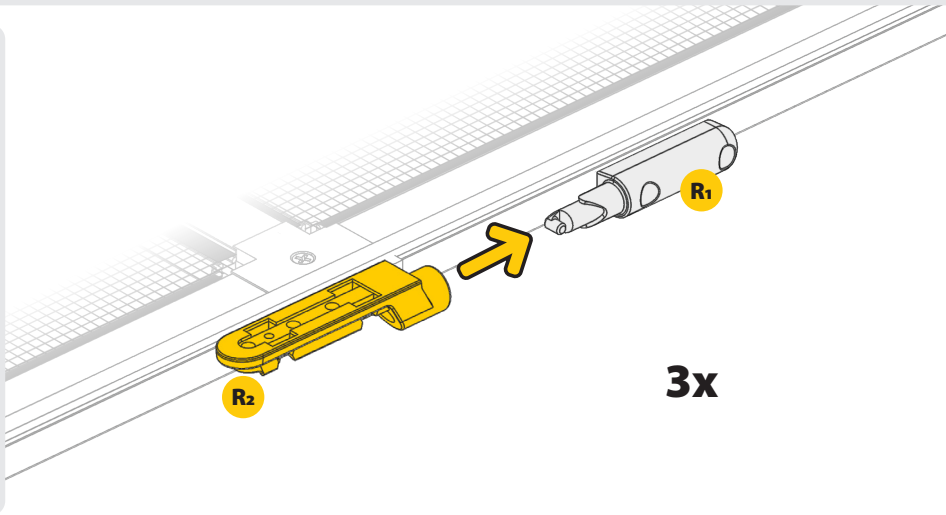
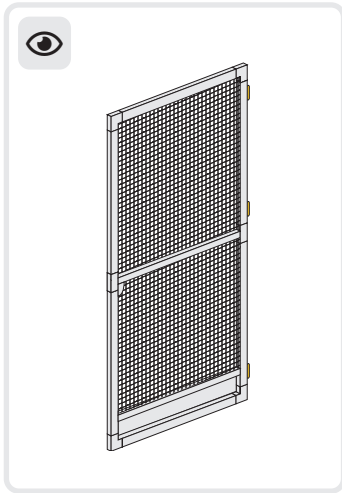


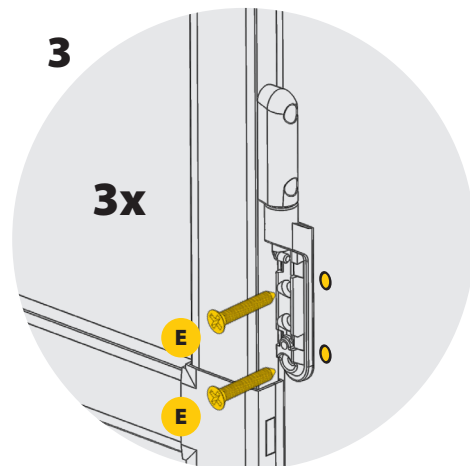
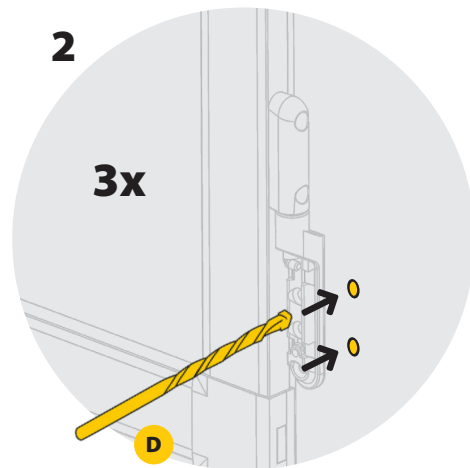
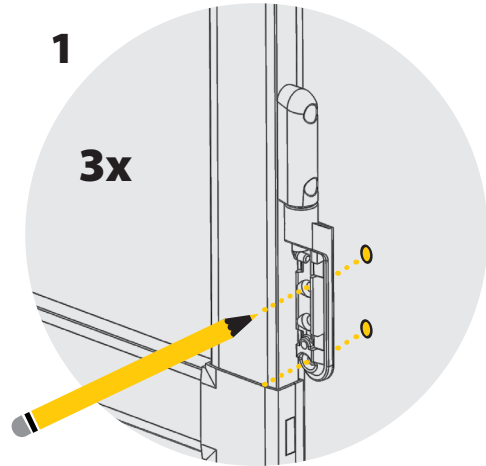
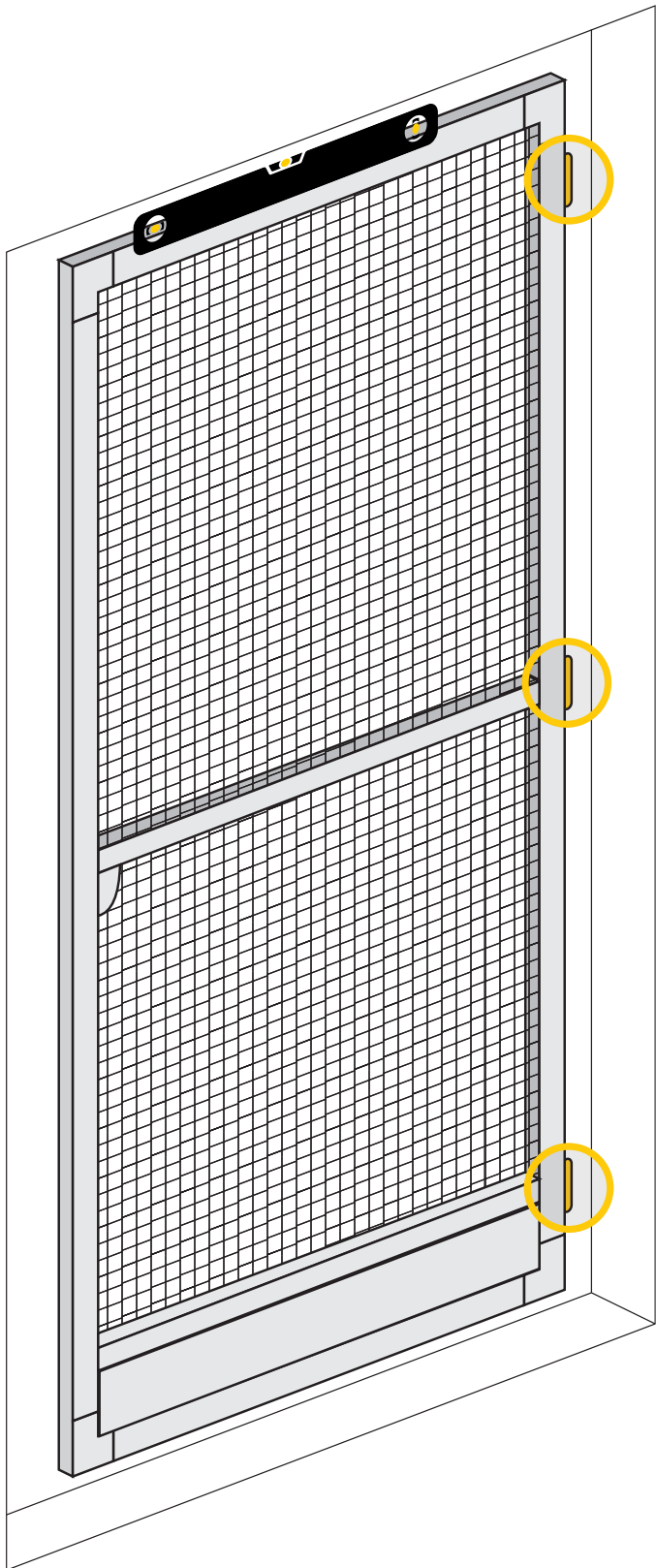
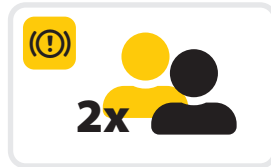
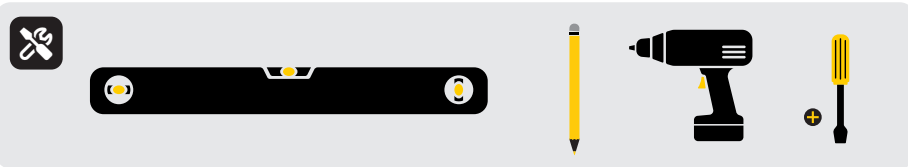
30 OPT 2



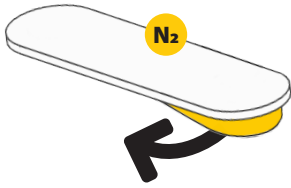




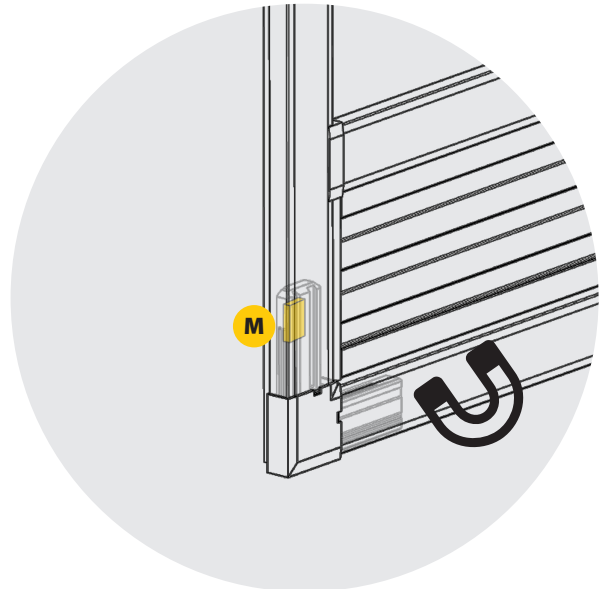
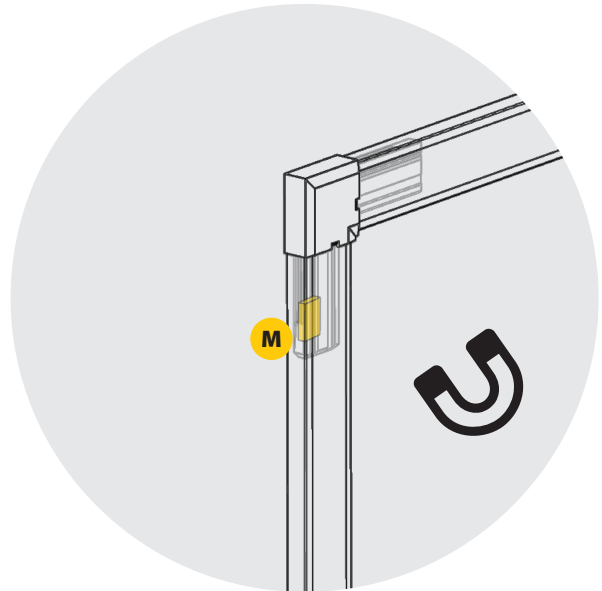
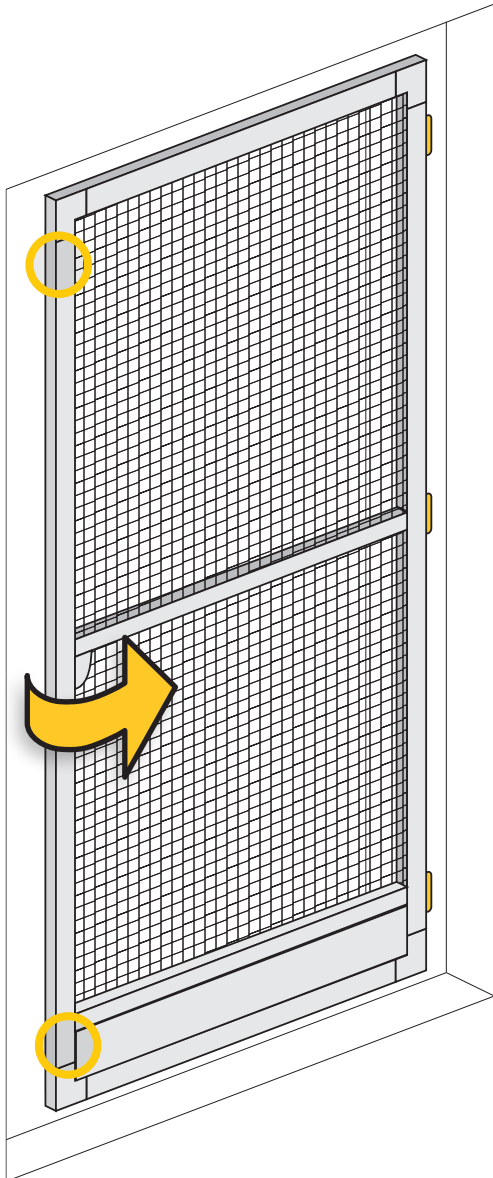
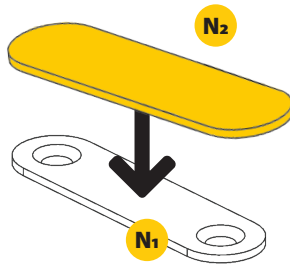




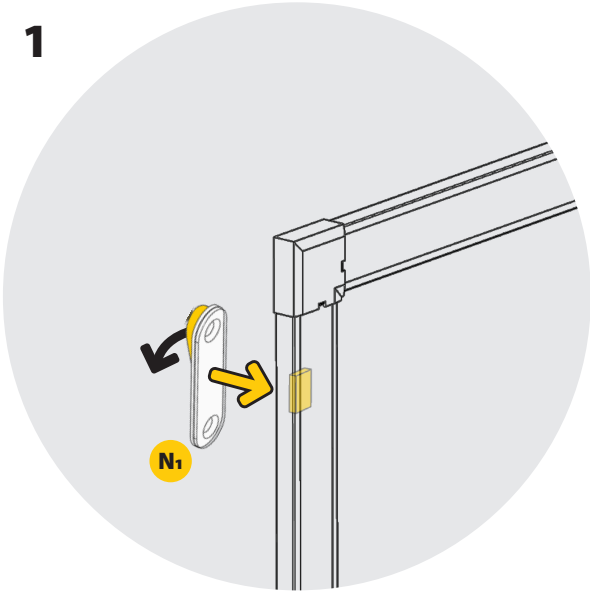
1



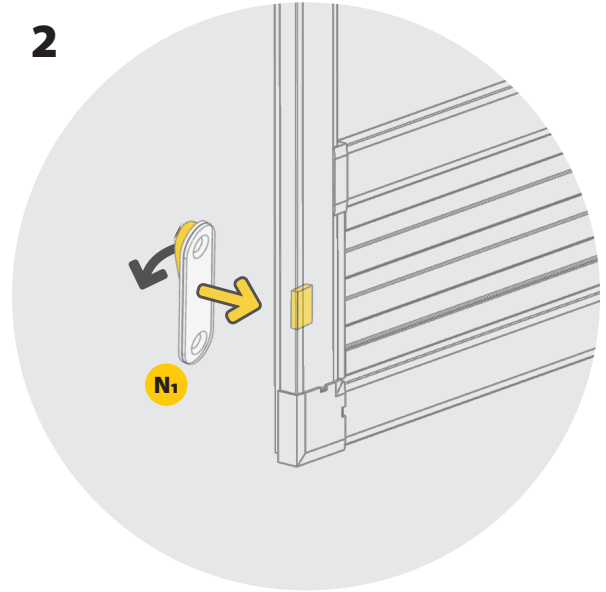
2



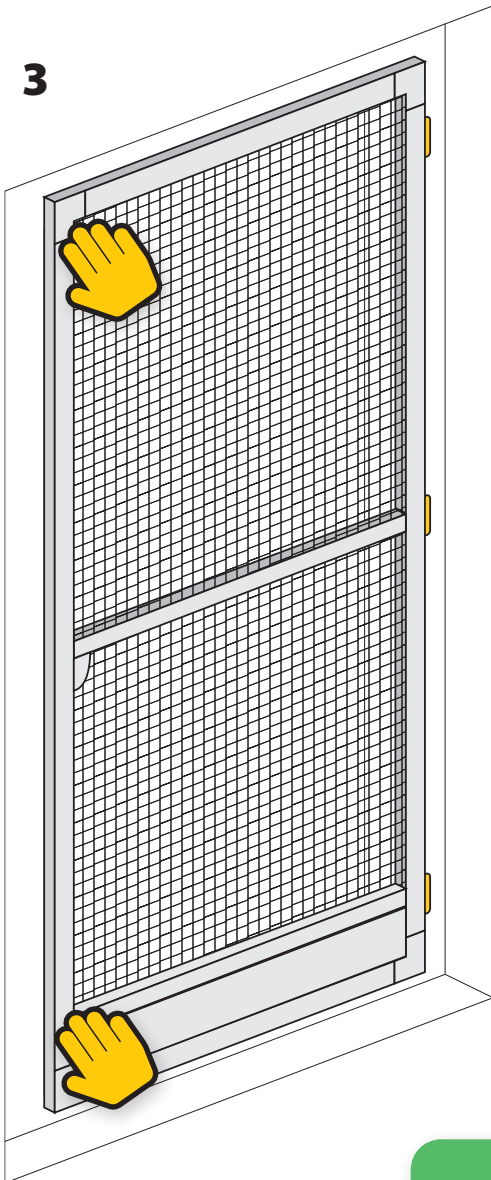
1



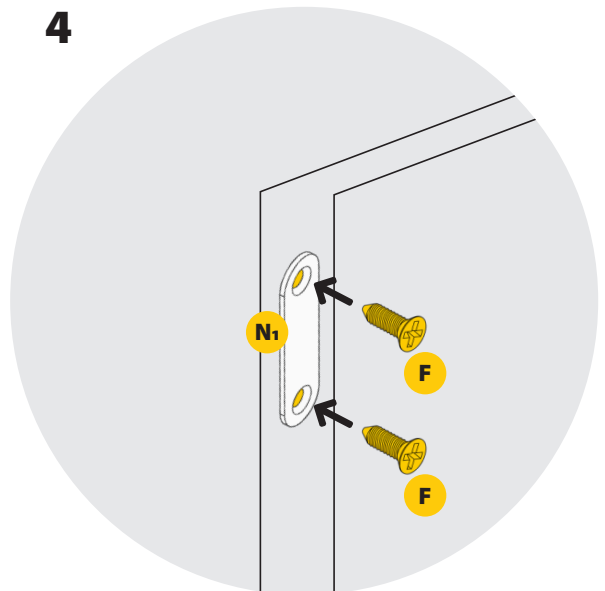
2



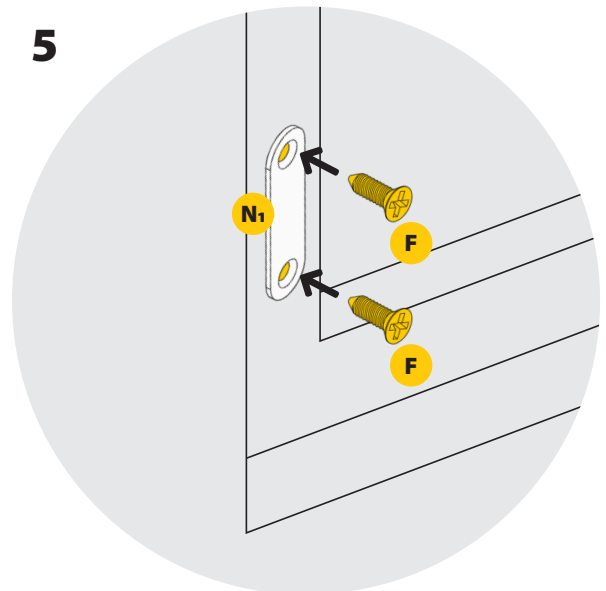
3



4



5





Service

Mo-Fr 7.30 Uhr - 18.30 Uhr
Tel +49 (0) 271 89 0 56 - 444
Fax +49 (0) 271 89 0 56 - 398

Alfred Schellenberg GmbH

An den Weiden 31
D-57078 Siegen
service.int@schellenberg.de
www.schellenberg.de