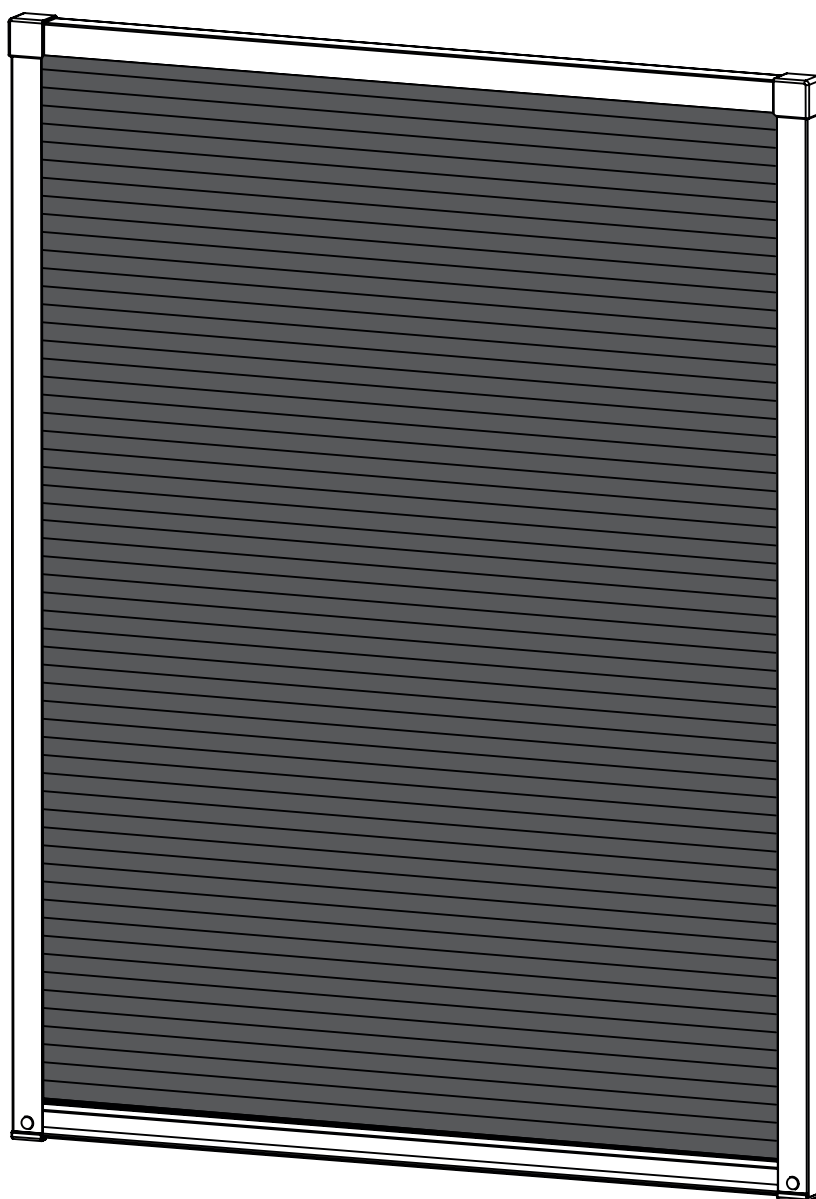


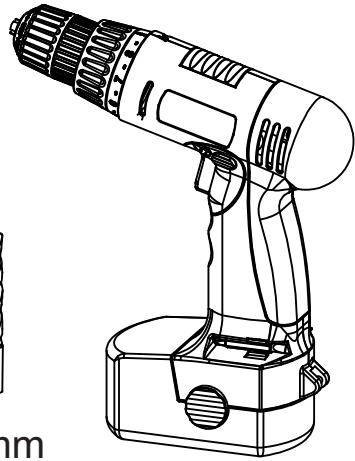


SCHELLENBERG

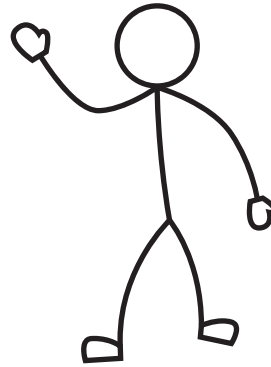
PLISSEE

70991

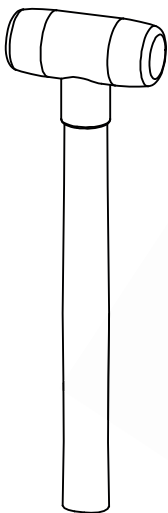
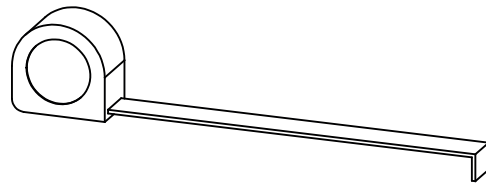




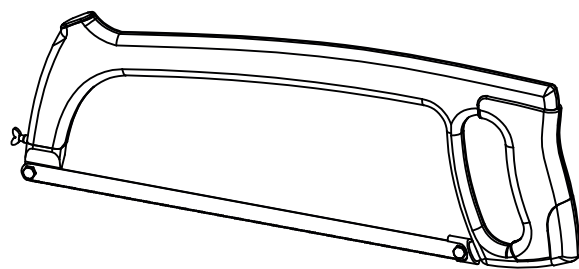
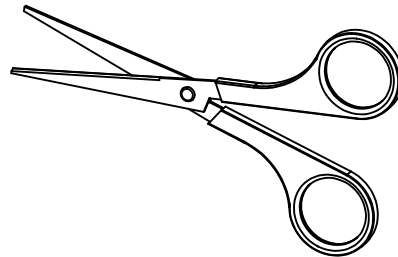
3mm

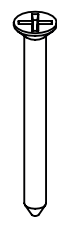


2x

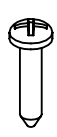


PZ2

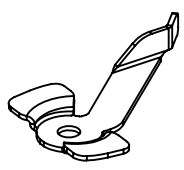




4x



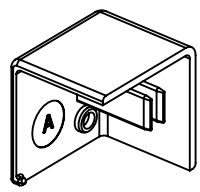
2x



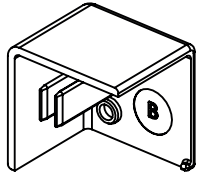
2x



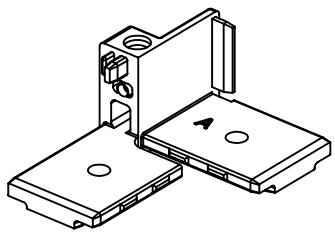
2x



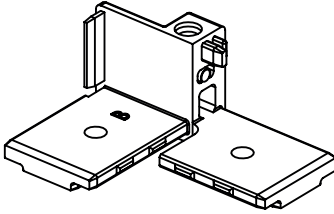
1x (A)



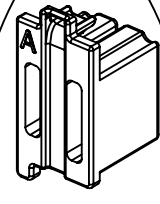
1x (B)



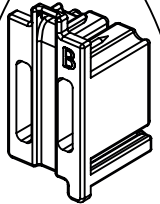
1x (A)



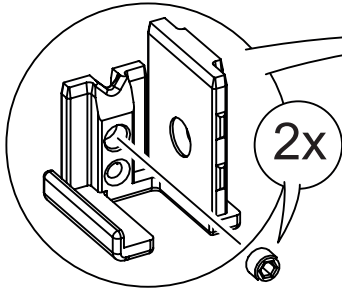
1x (B)



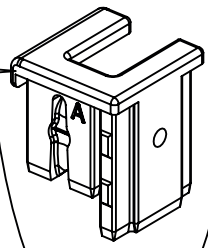
1x (A)



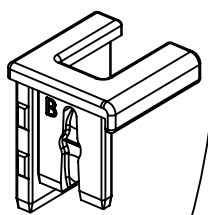
1x (B)



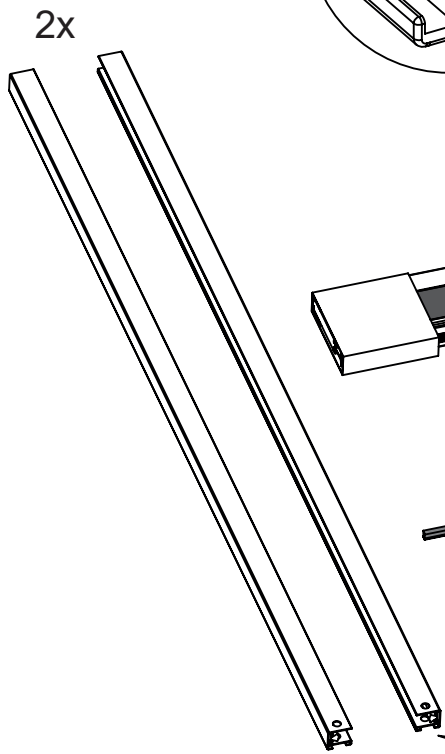
2x



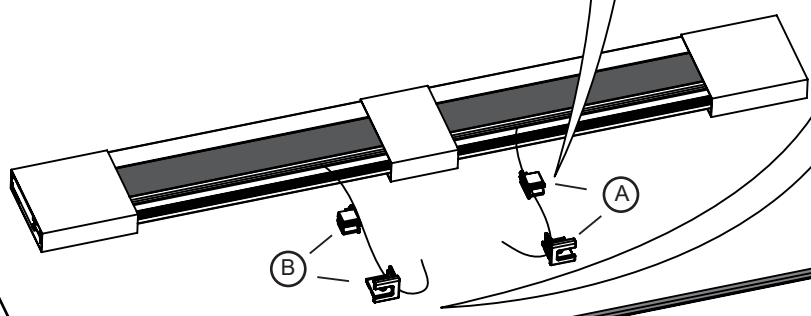
1x (A)



1x (B)

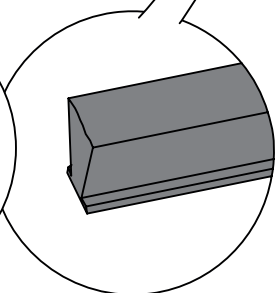
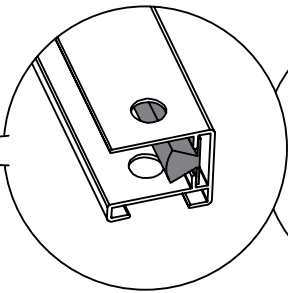


2x

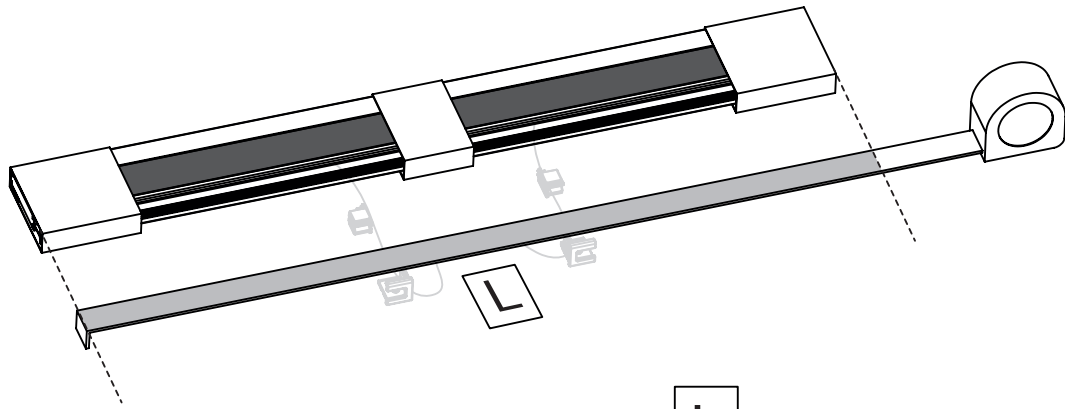


(B)

(A)

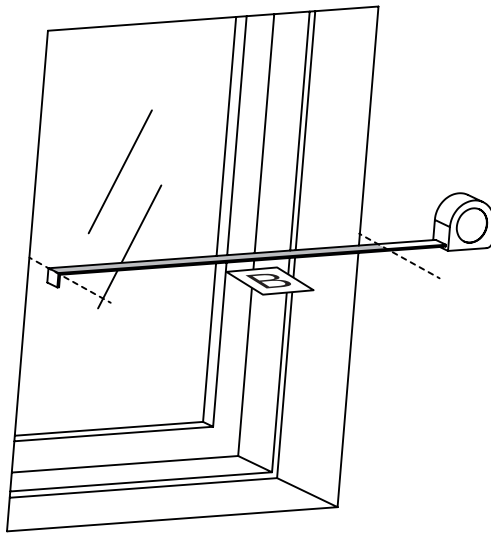


1.



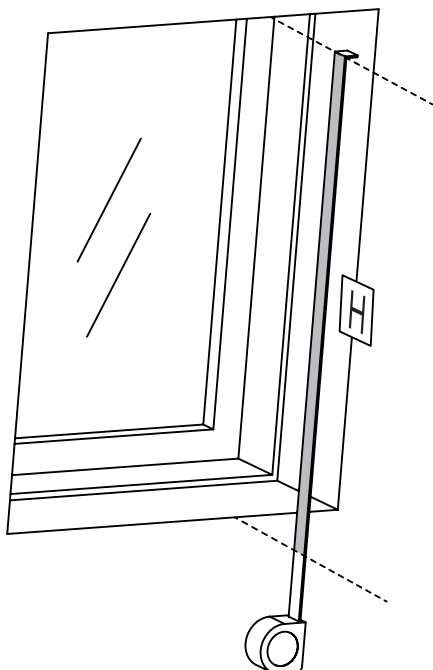
L = _____ , _____ cm

2.



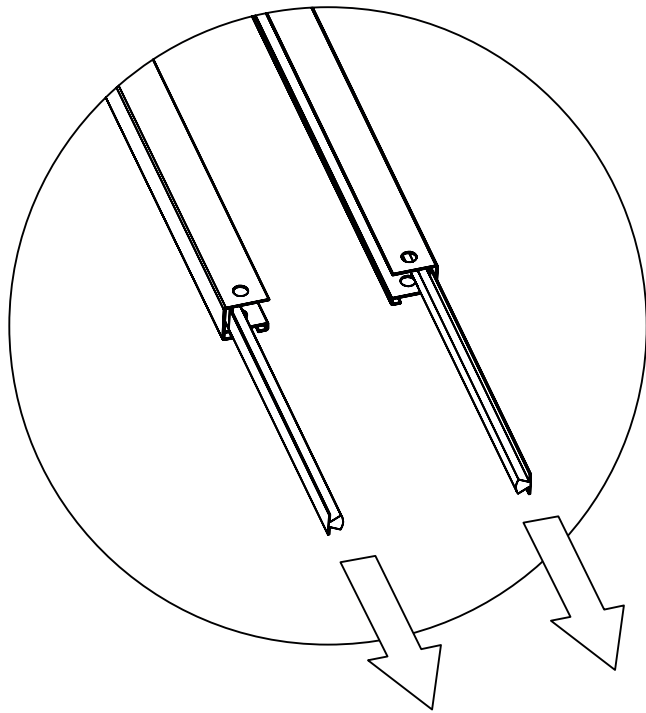
B = _____ , _____ cm

3.

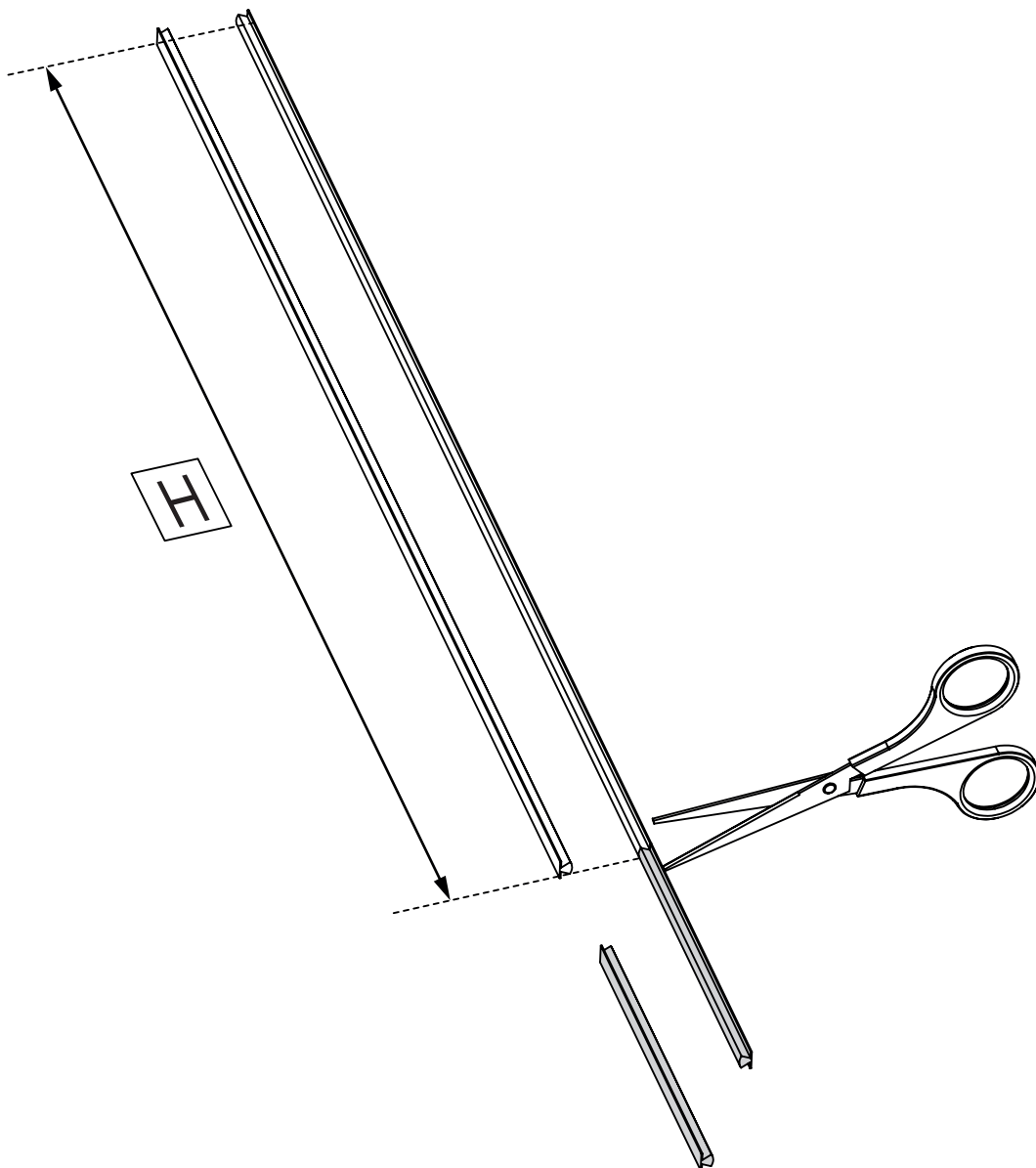


H = _____ , _____ cm

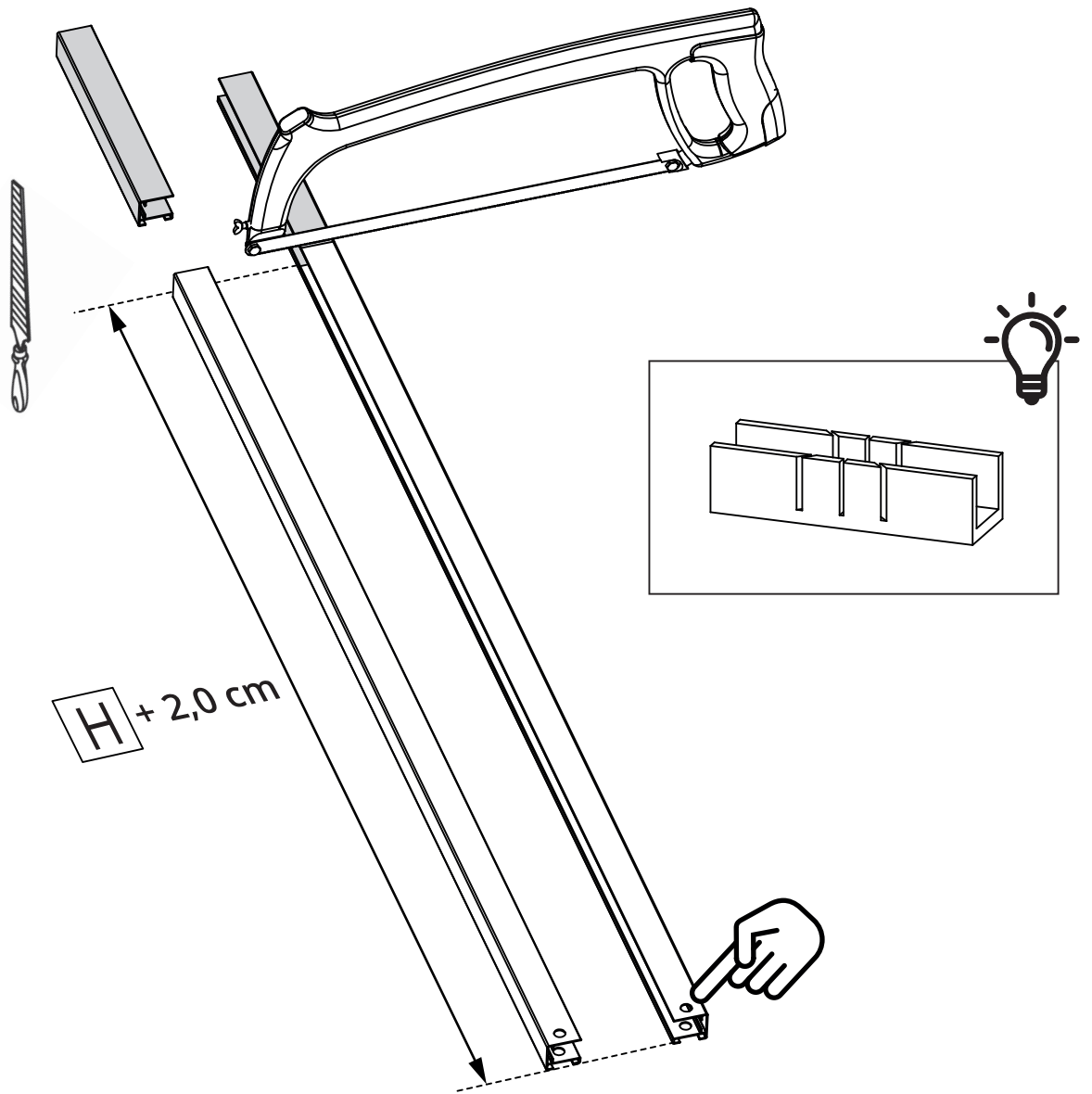
4.



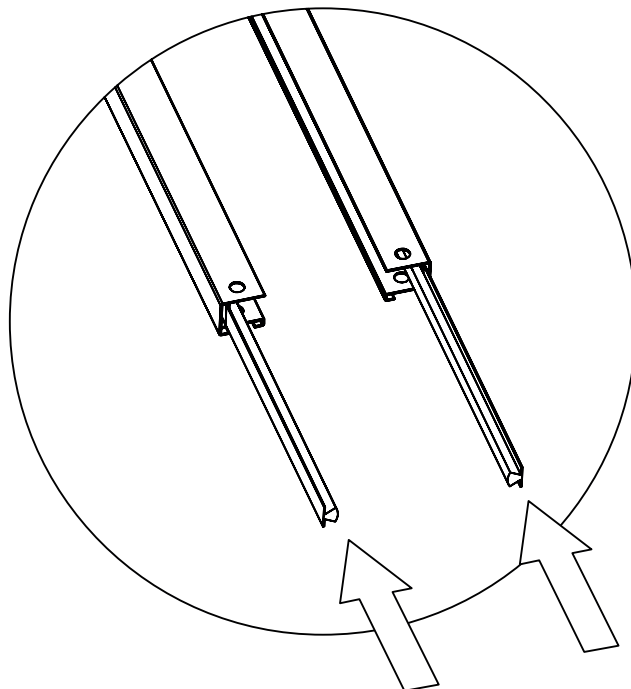
5.



6.



7.

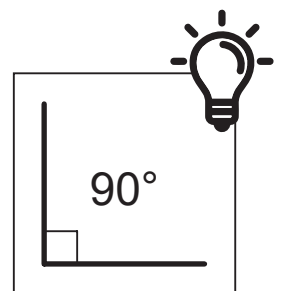
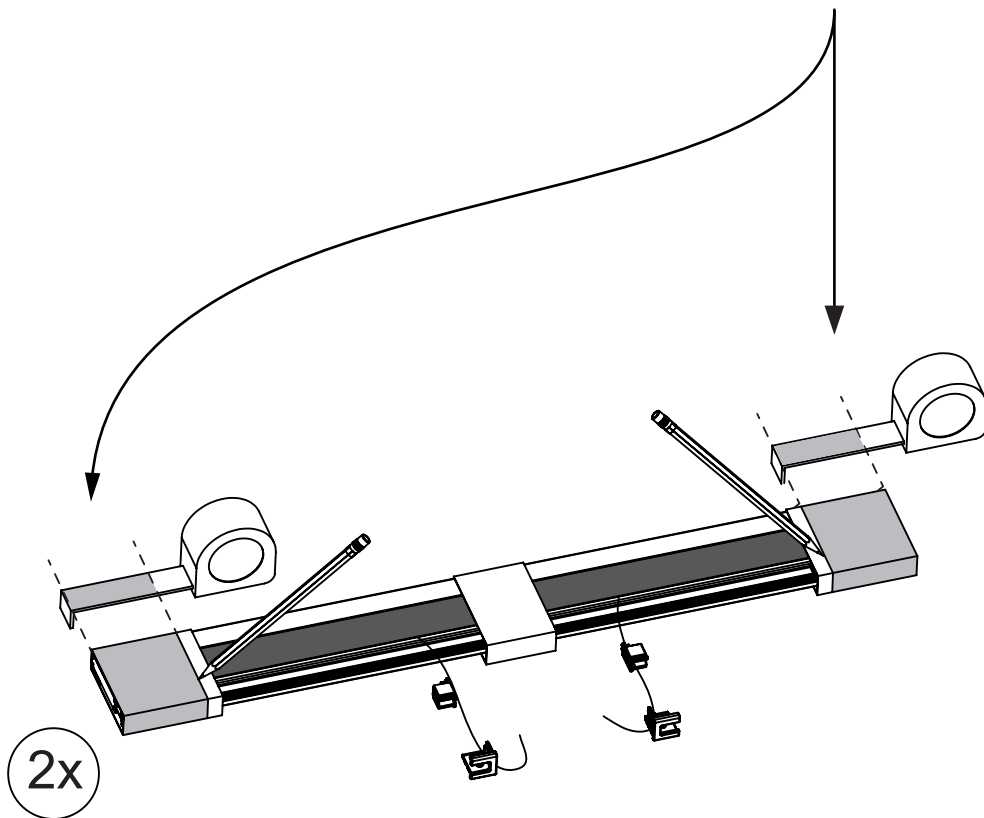


a) $\boxed{L} - \boxed{B} = \underline{\hspace{1cm}}, \underline{\hspace{1cm}} \text{ cm} - \underline{\hspace{1cm}}, \underline{\hspace{1cm}} \text{ cm} = \underline{\hspace{1cm}}, \underline{\hspace{1cm}} \text{ cm}$

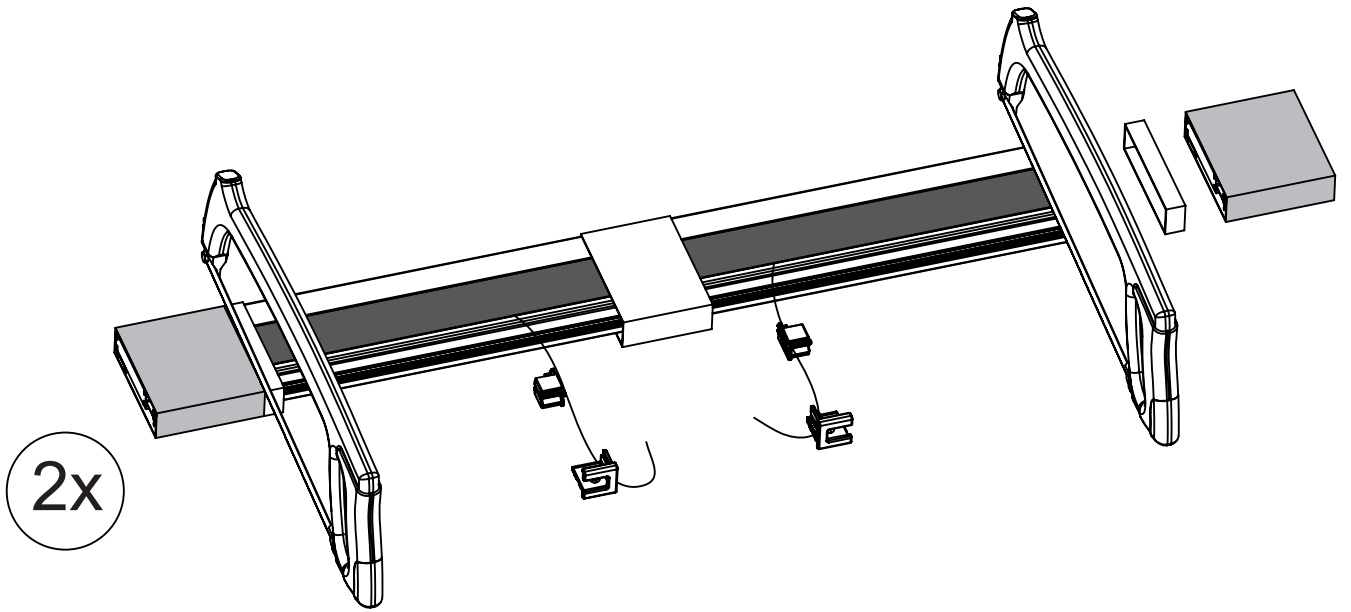
b) $\underline{\hspace{1cm}}, \underline{\hspace{1cm}} \text{ cm} - 3,0 \text{ cm} = \underline{\hspace{1cm}}, \underline{\hspace{1cm}} \text{ cm}$

c) $\frac{\underline{\hspace{1cm}}, \underline{\hspace{1cm}}}{2} = \boxed{\underline{\hspace{1cm}}, \underline{\hspace{1cm}} \text{ cm}}$

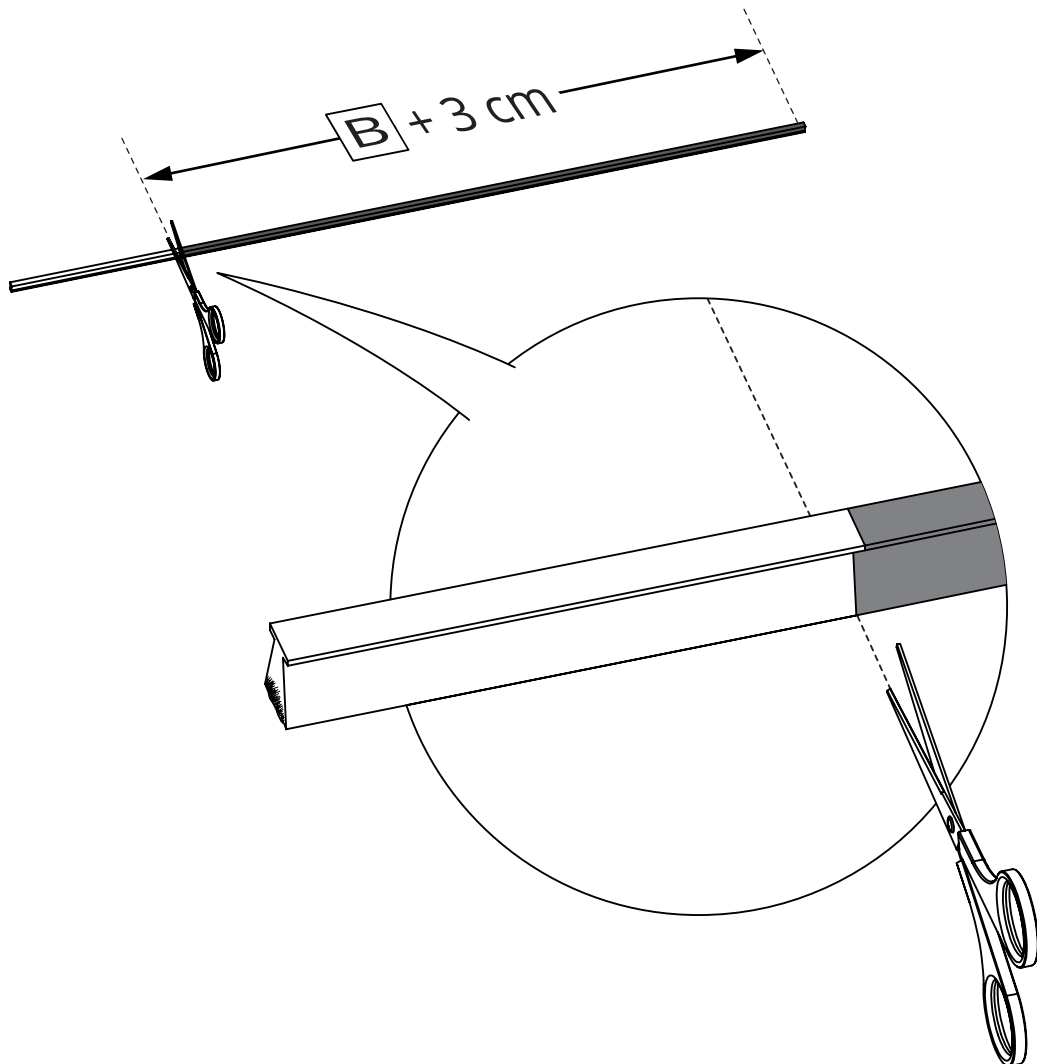
9.



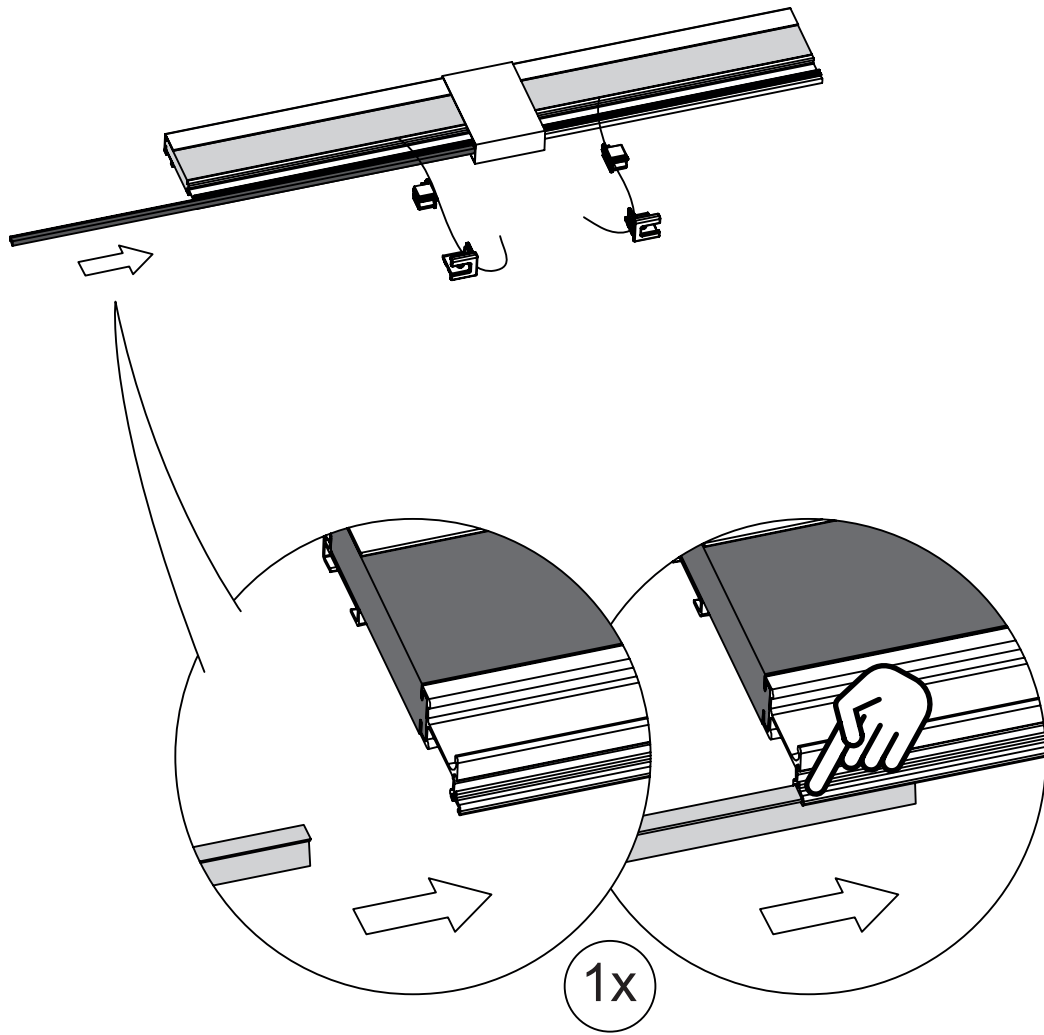
10.



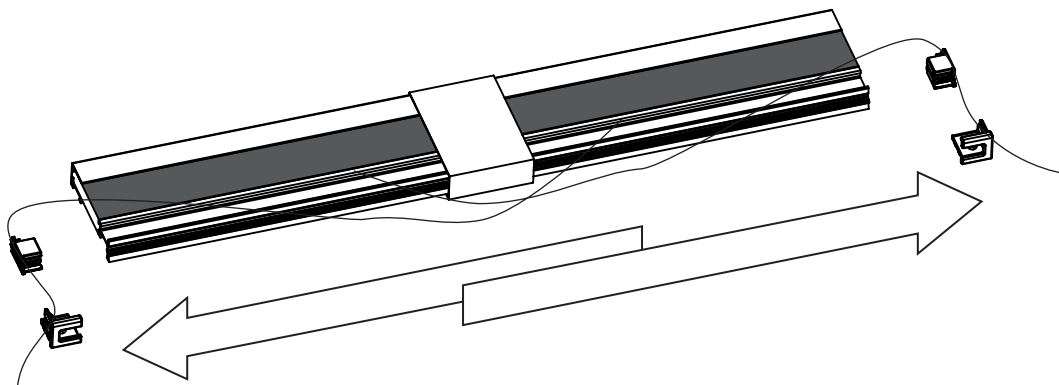
11.



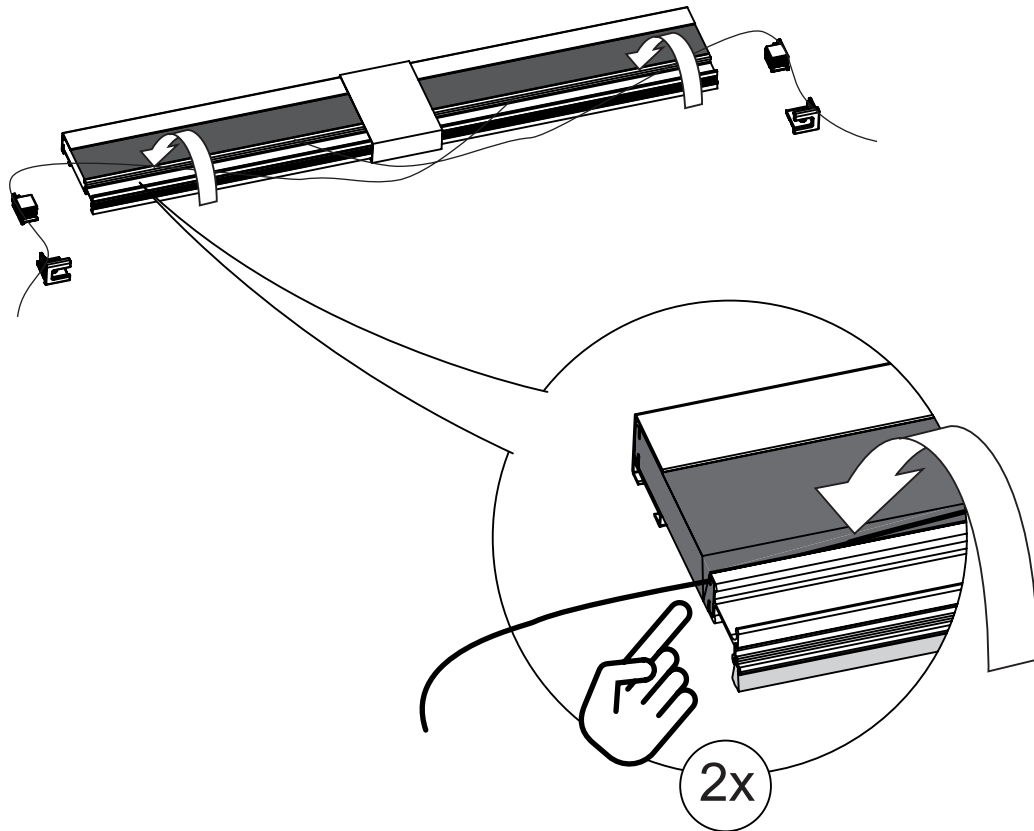
12.



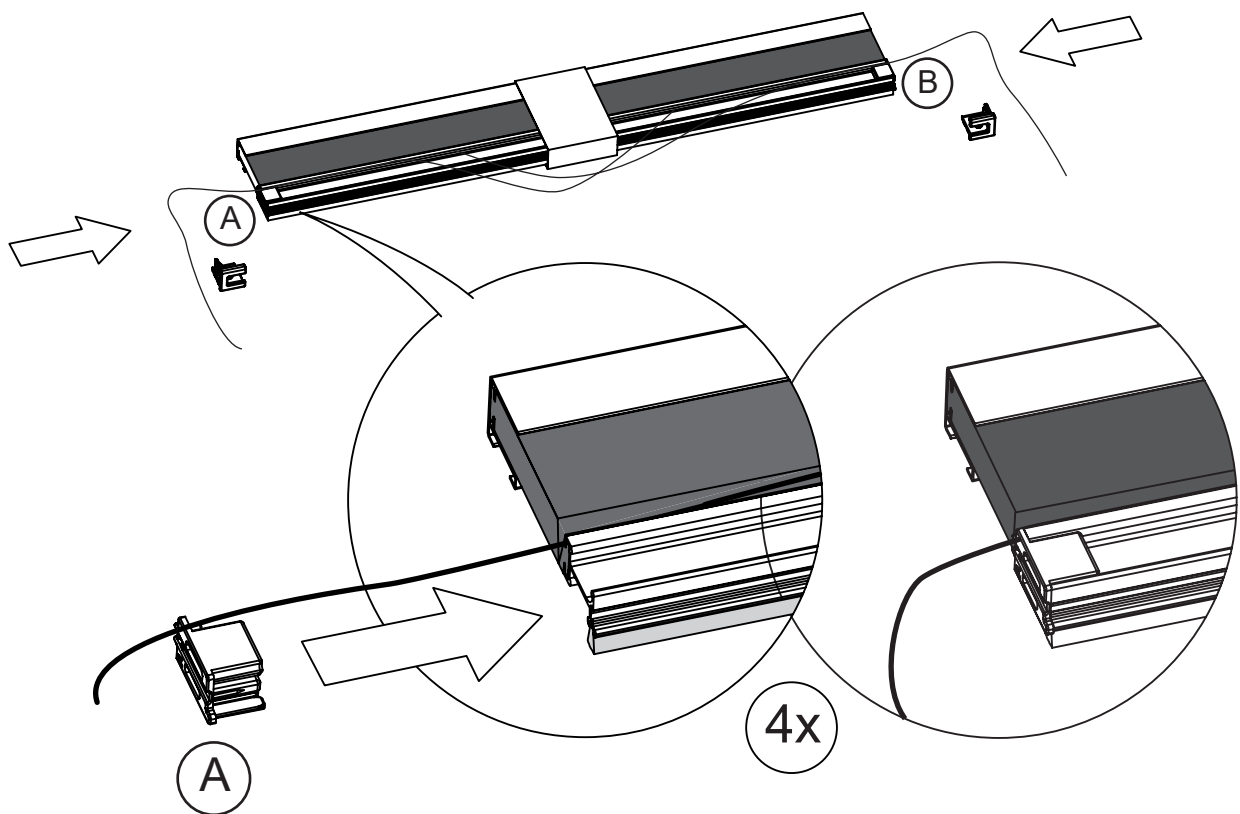
13.

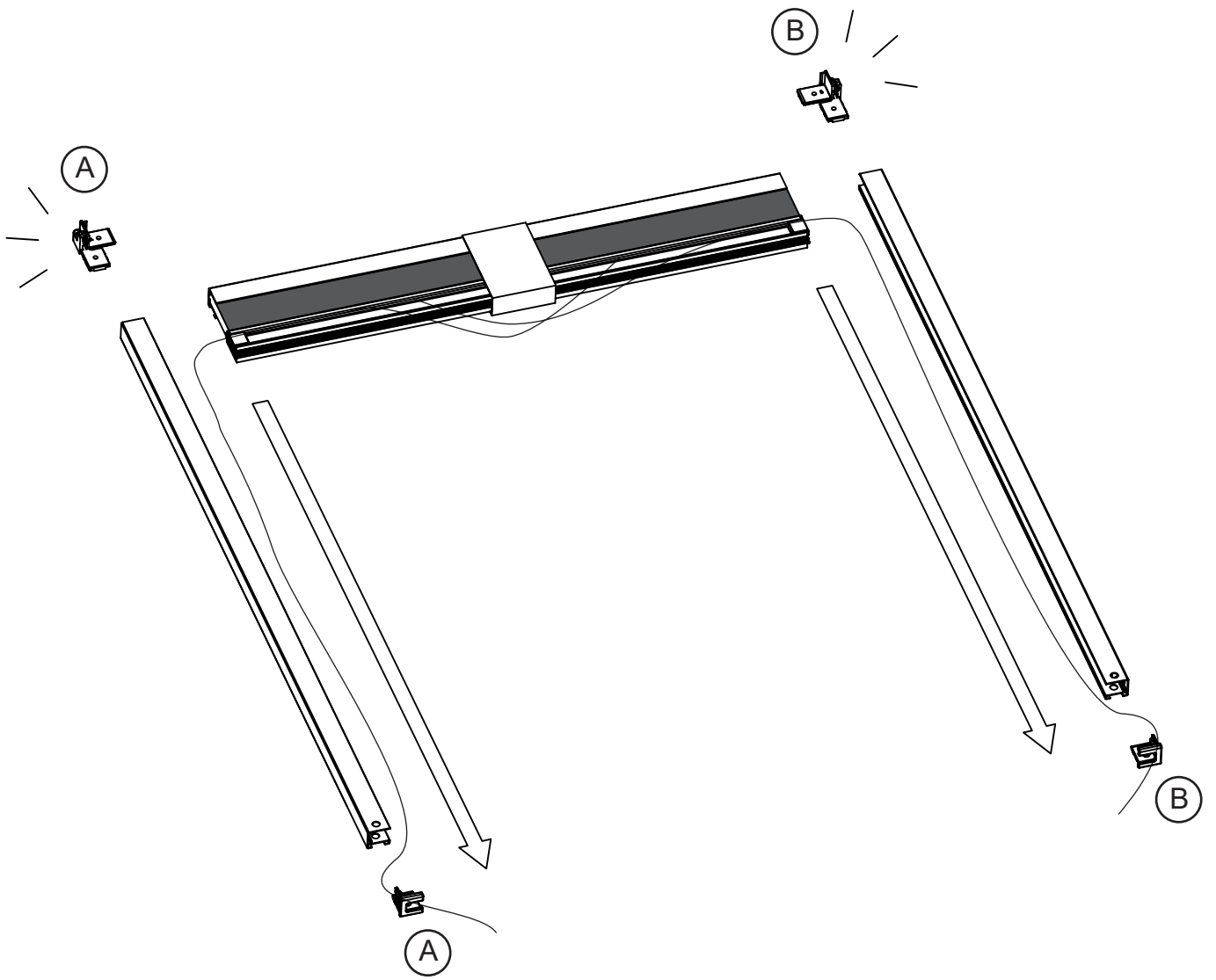


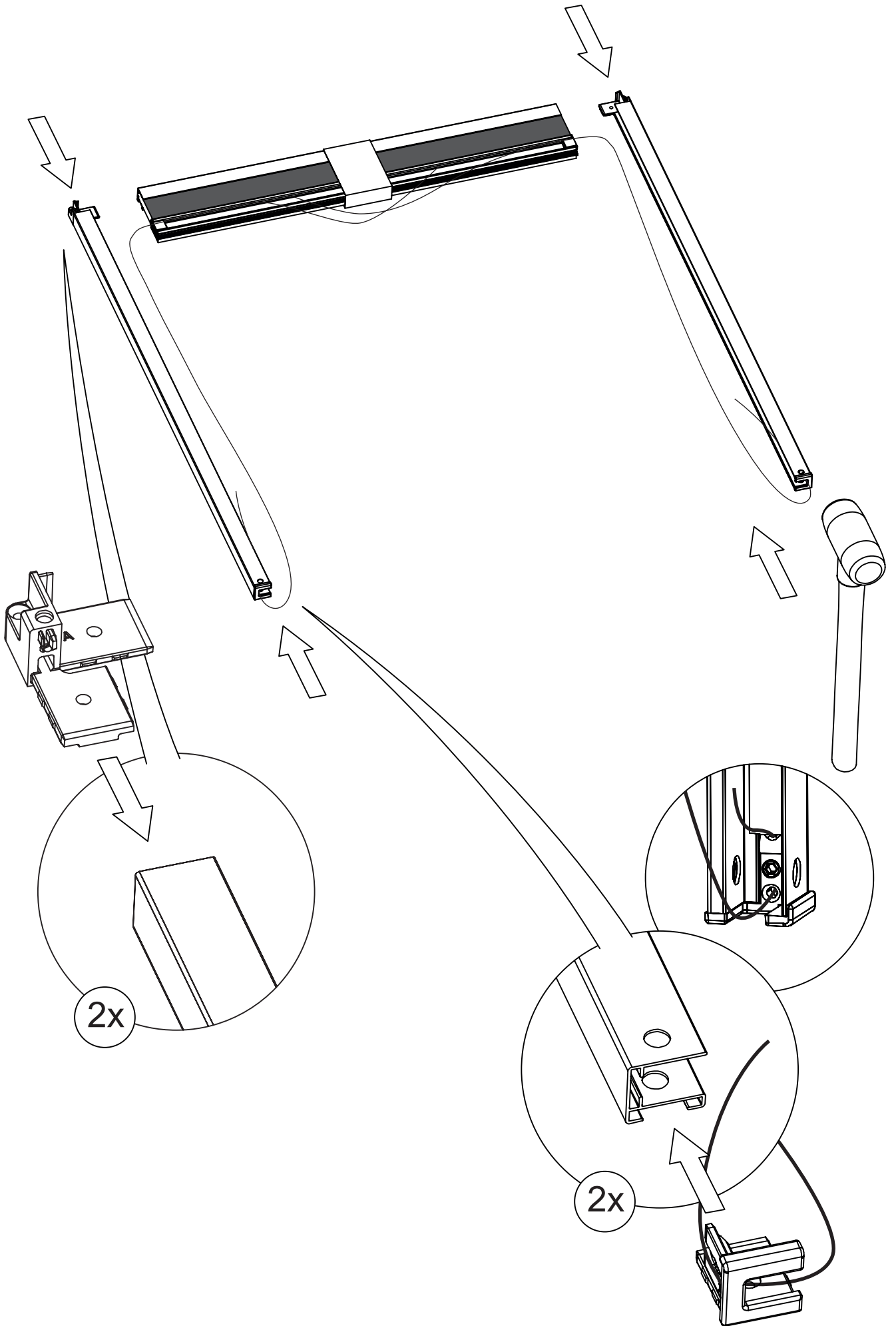
14.

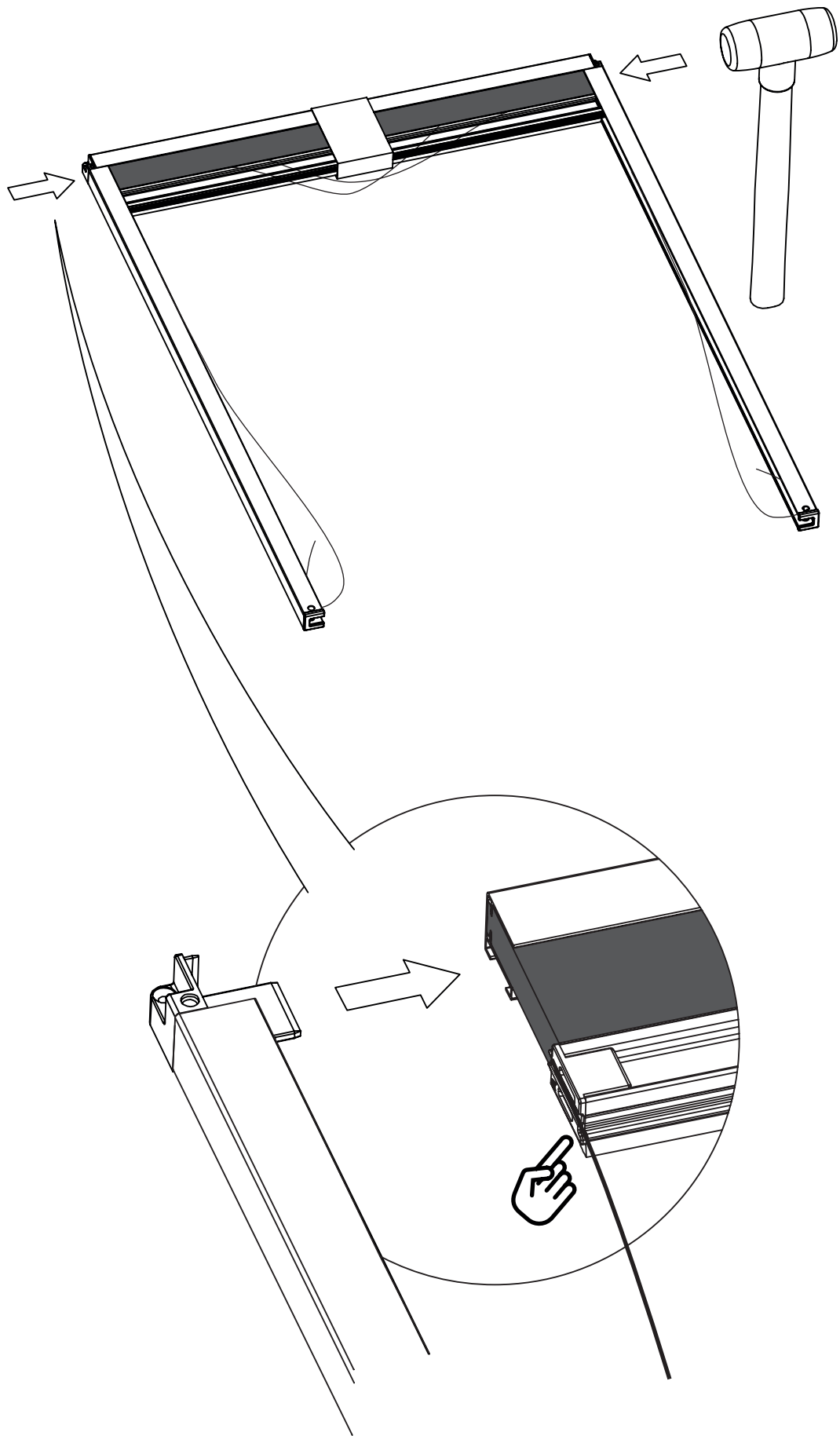


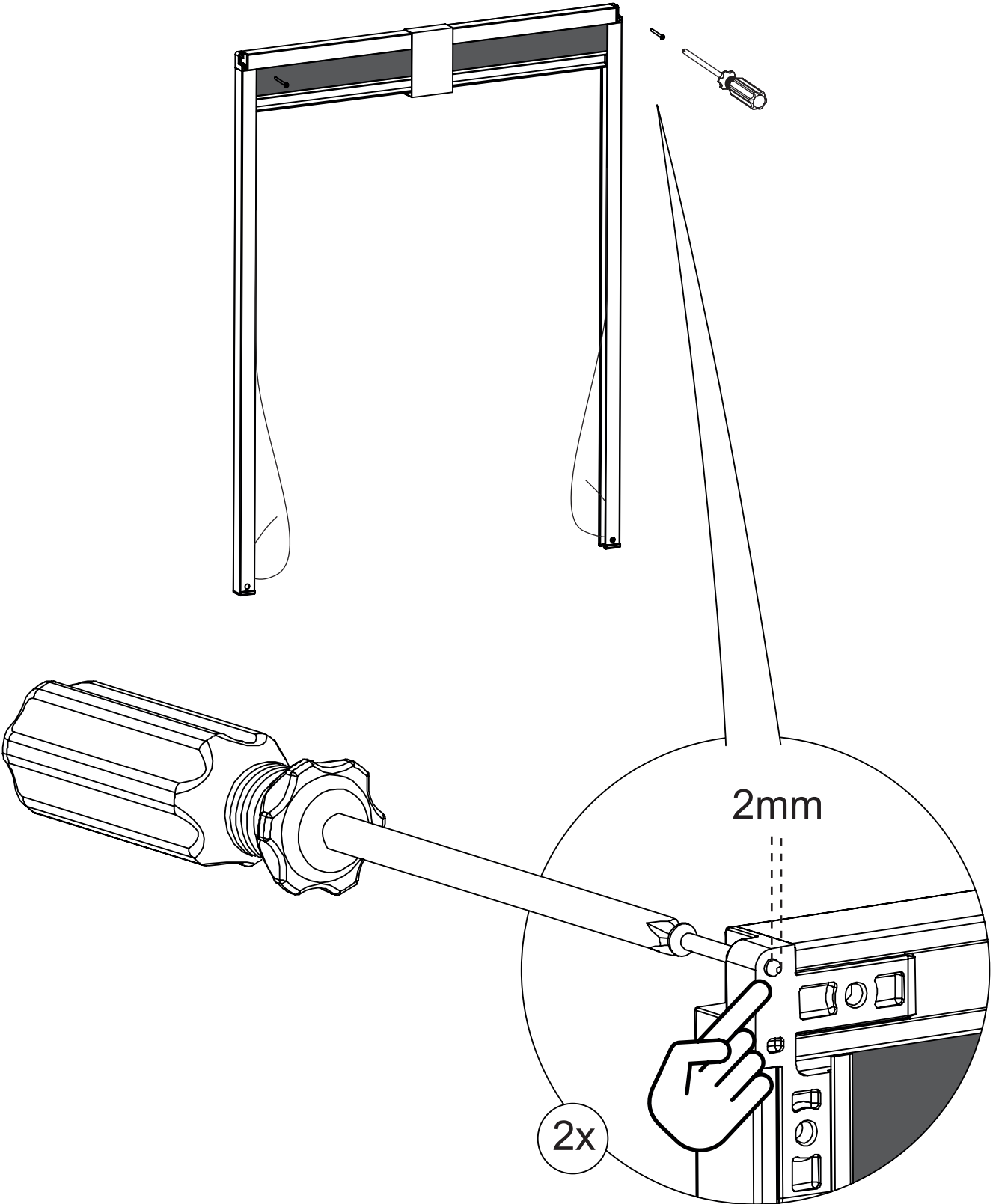
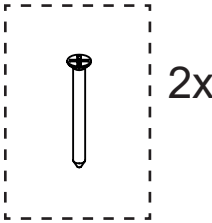
15.

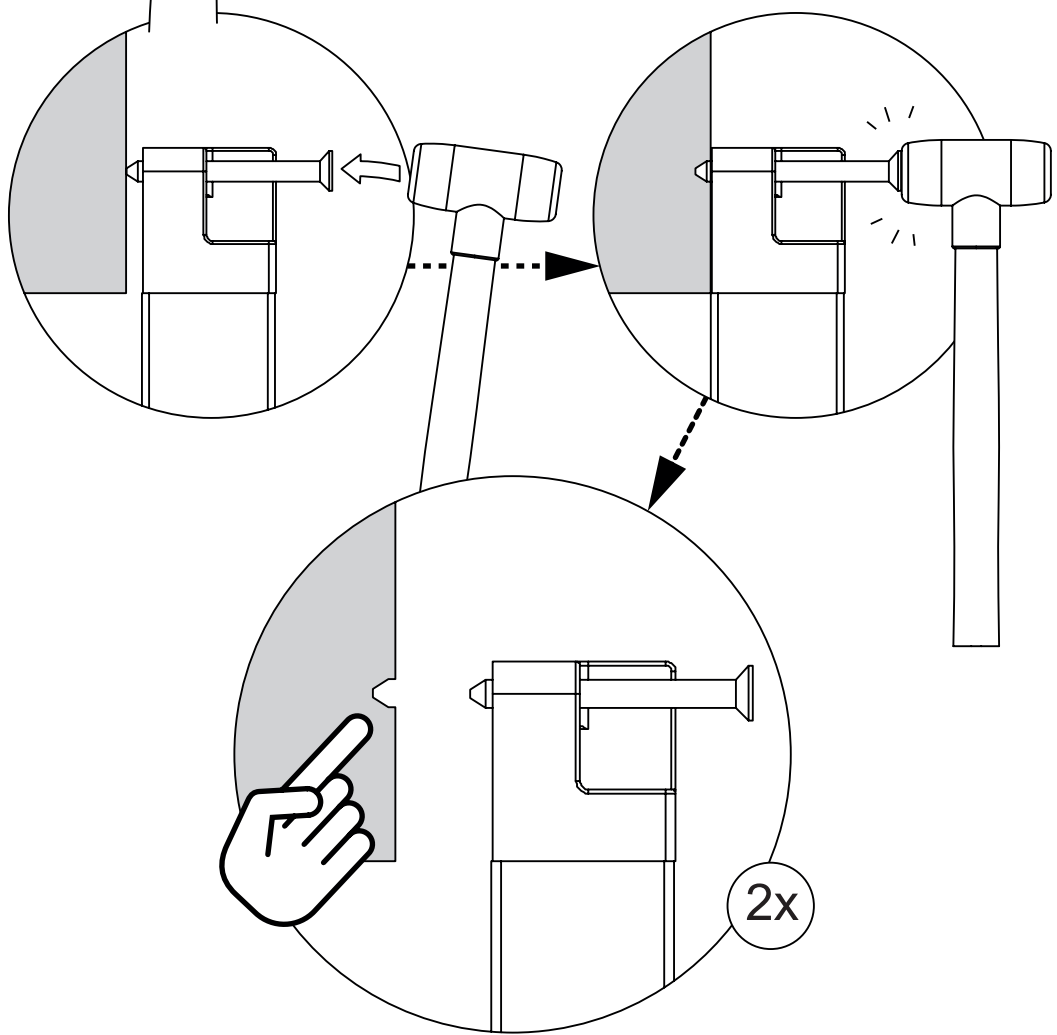
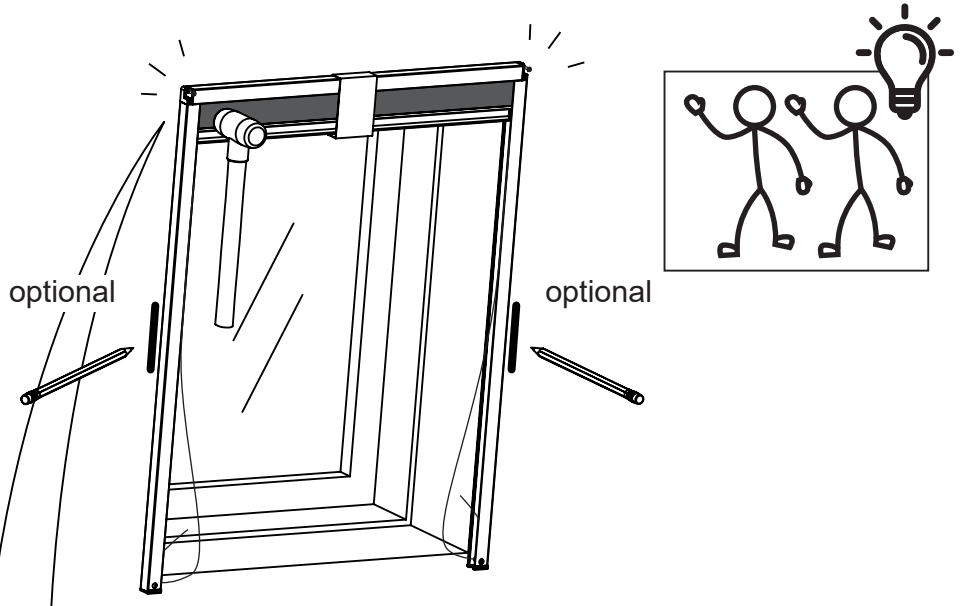
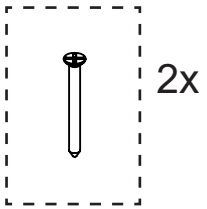




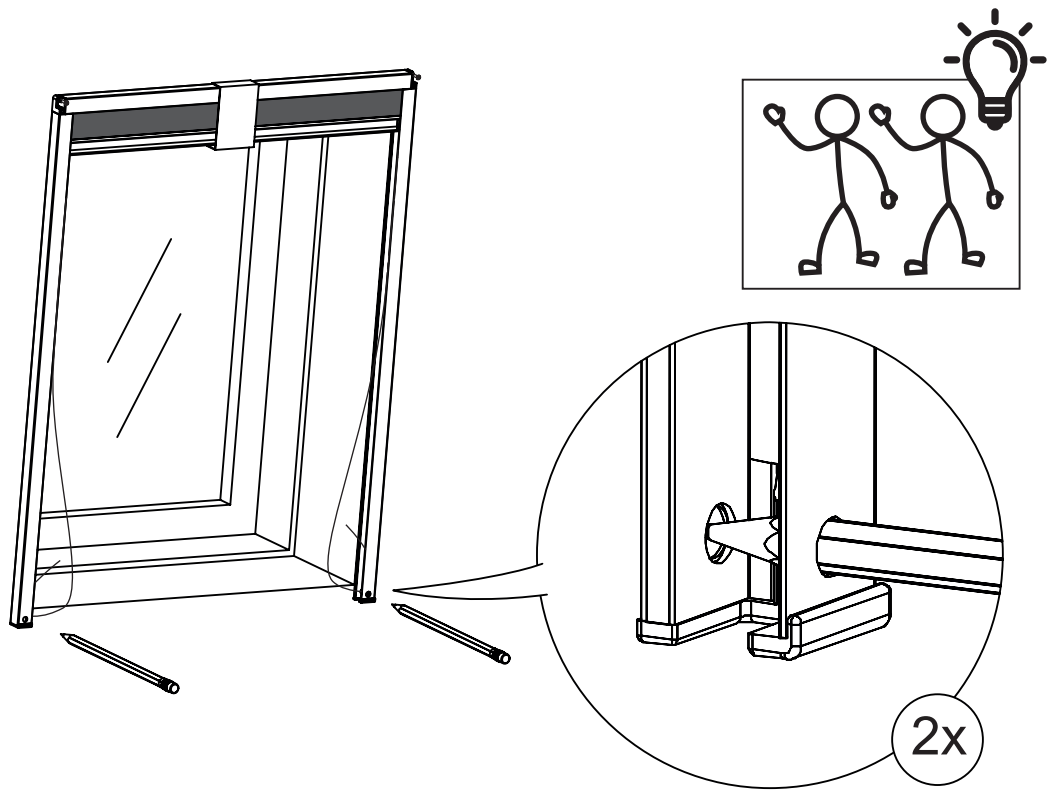




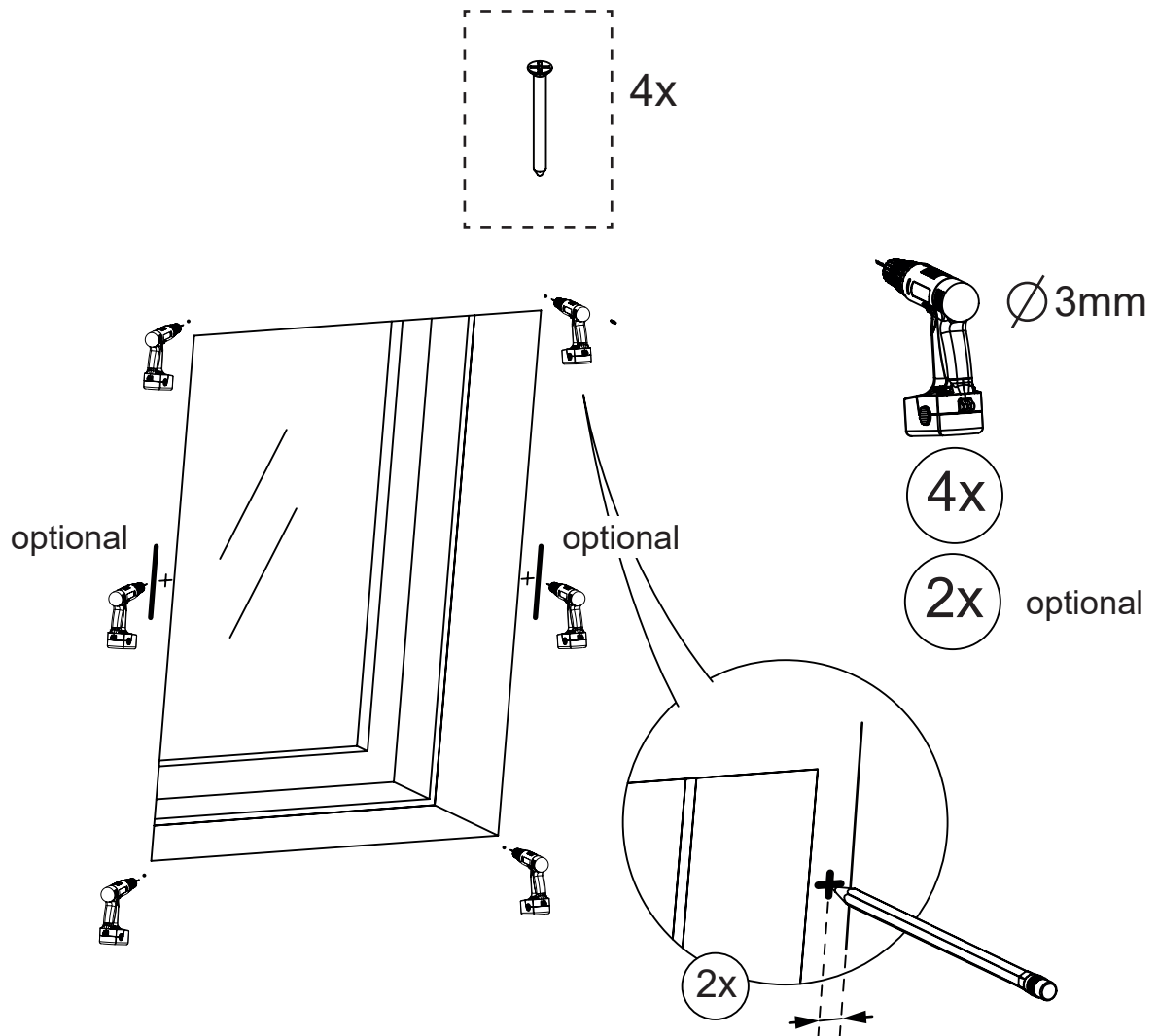


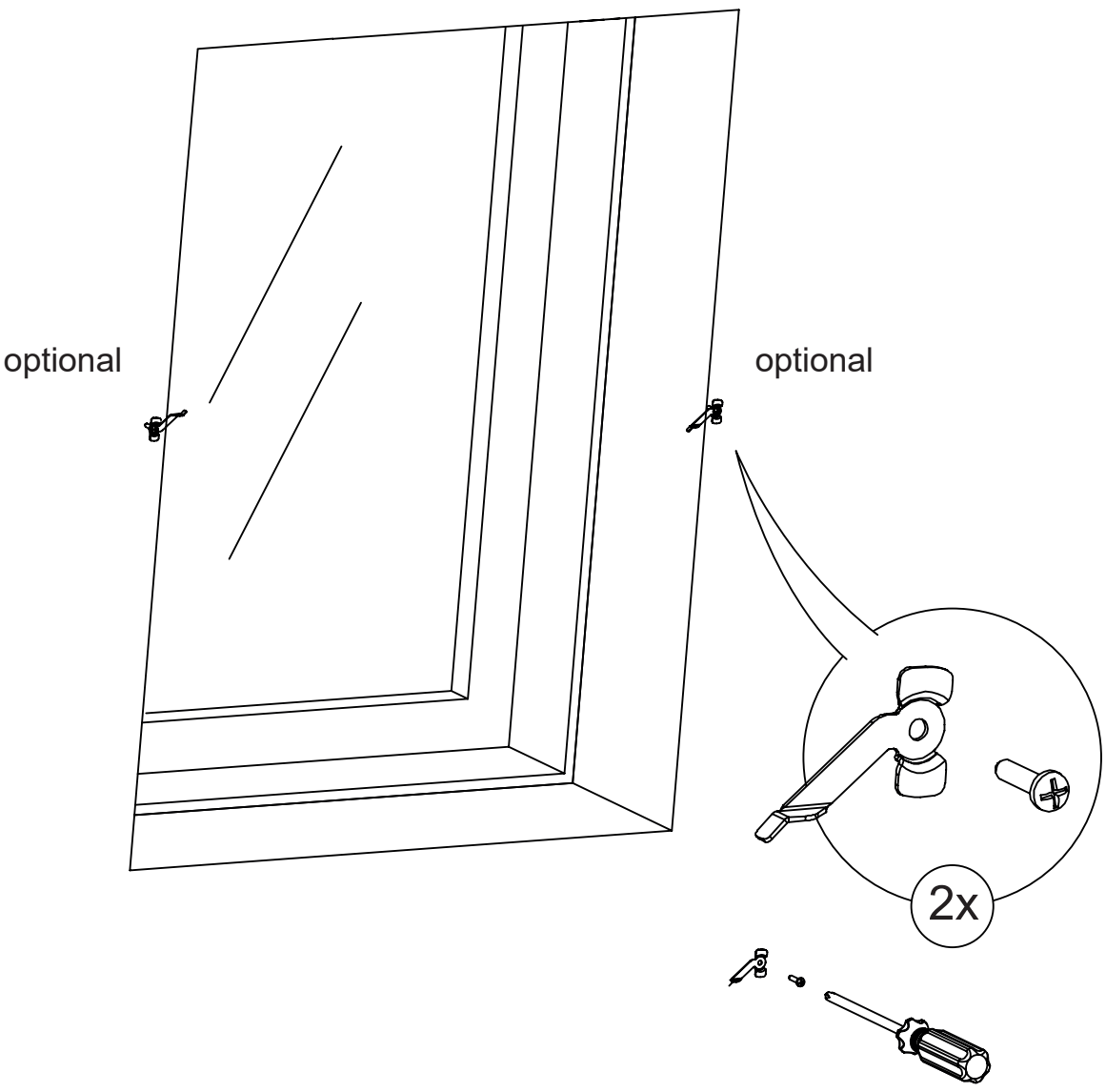
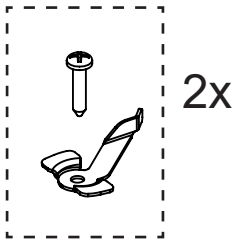


21.



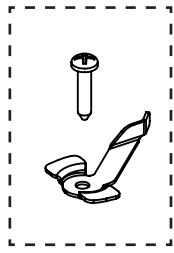
22.



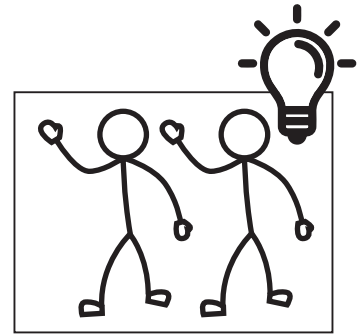
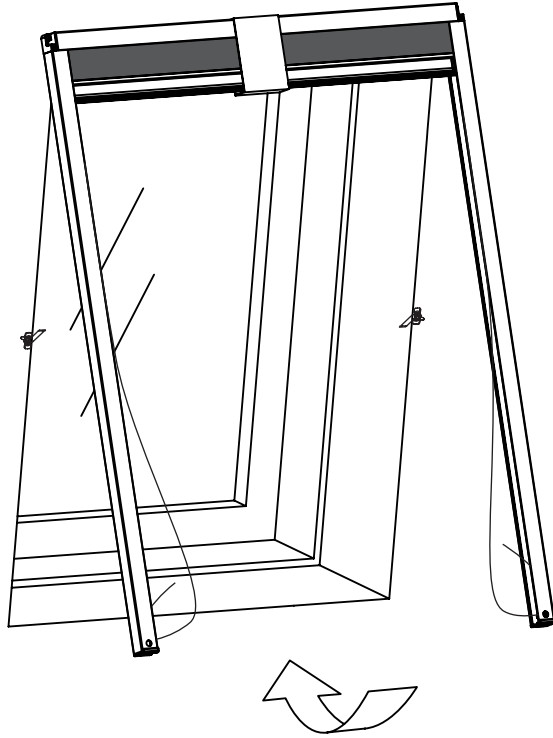


24.

optional



2x

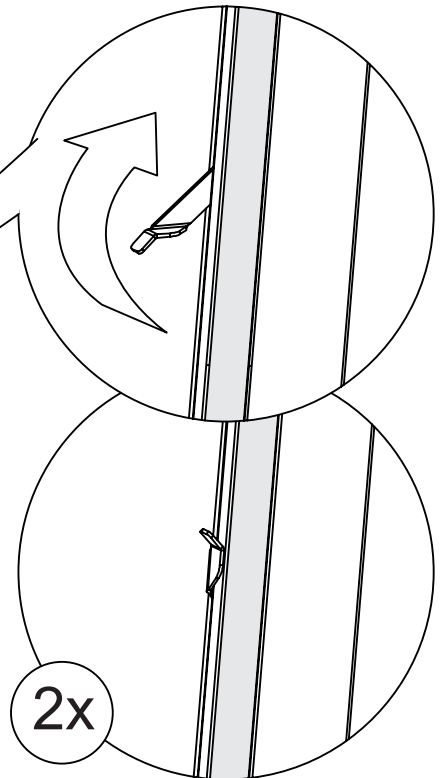


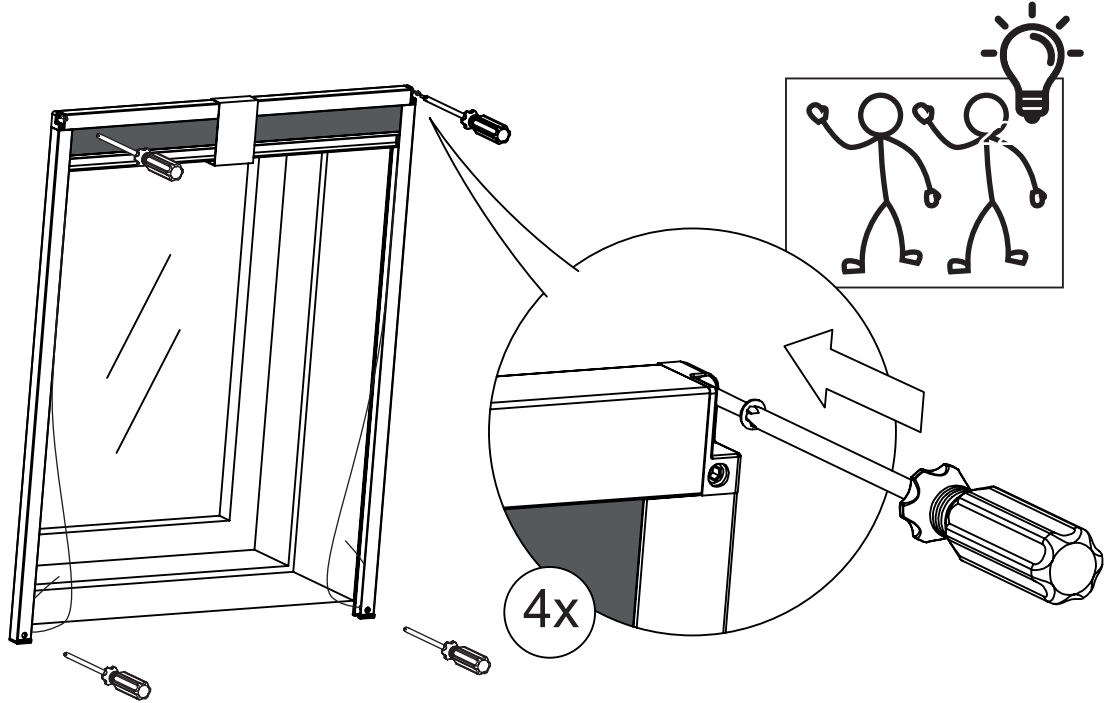
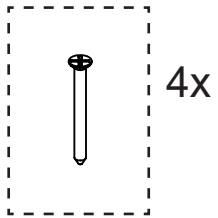
25.

optional

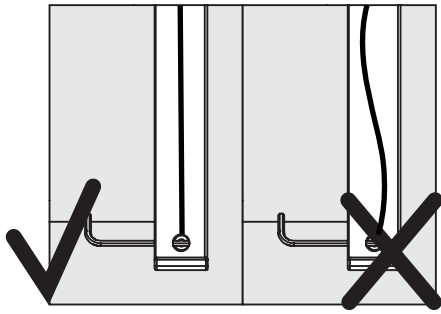
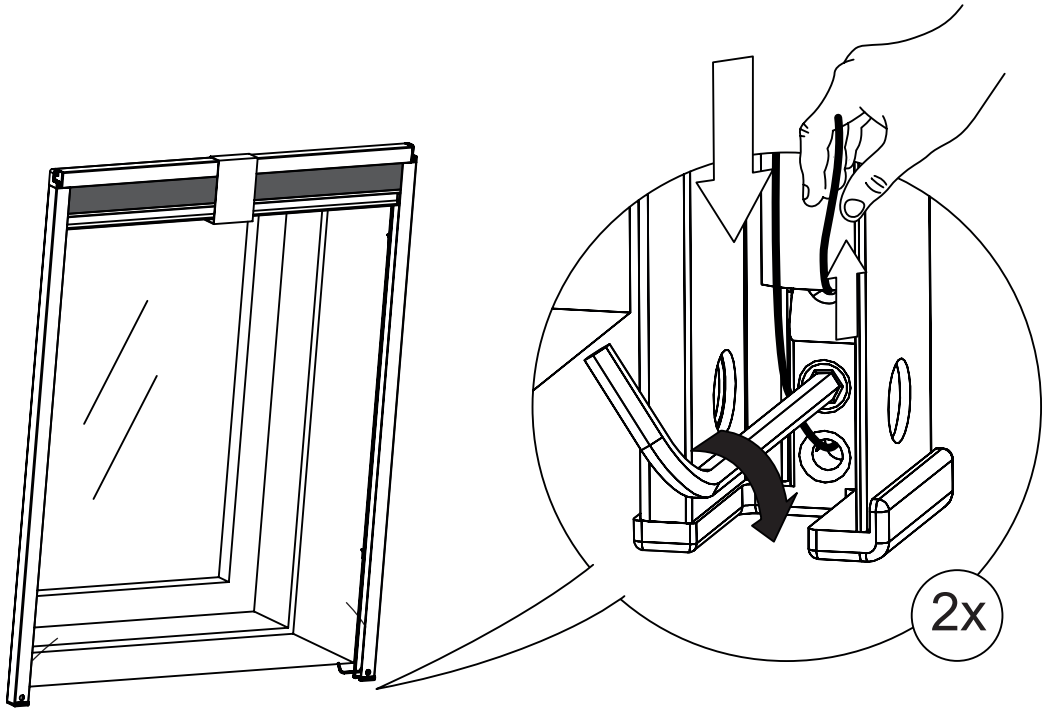


optional

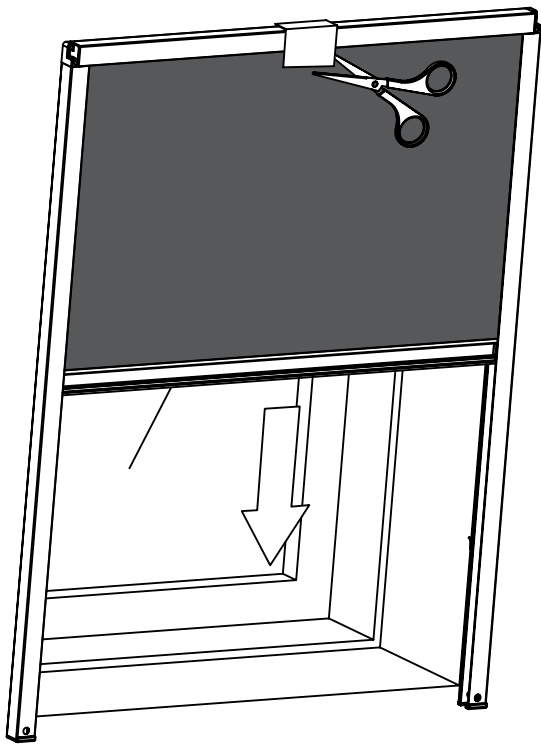


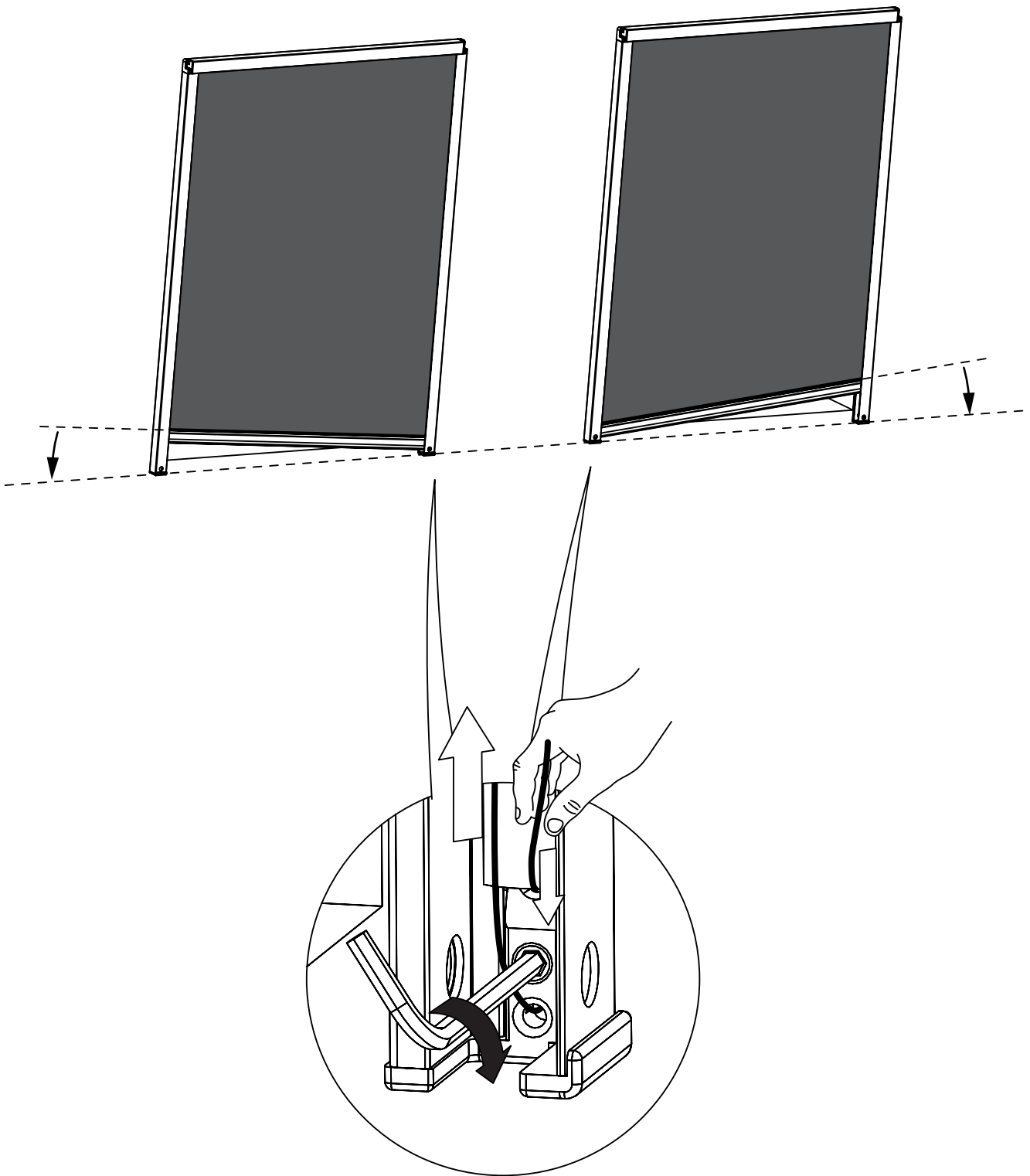


27.

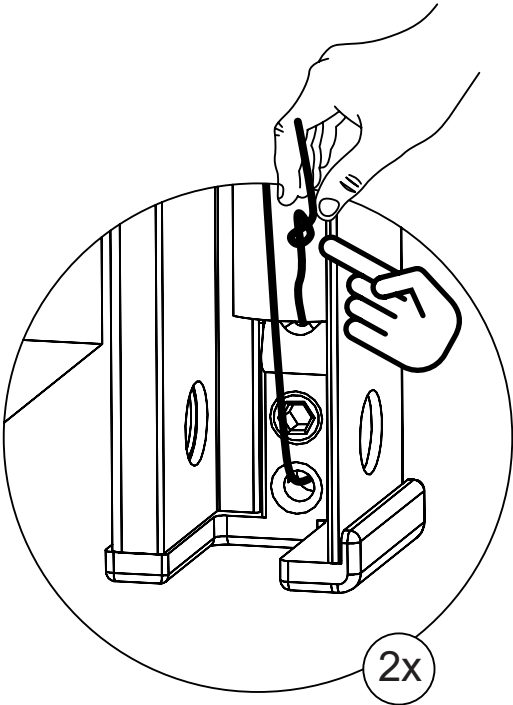


28.

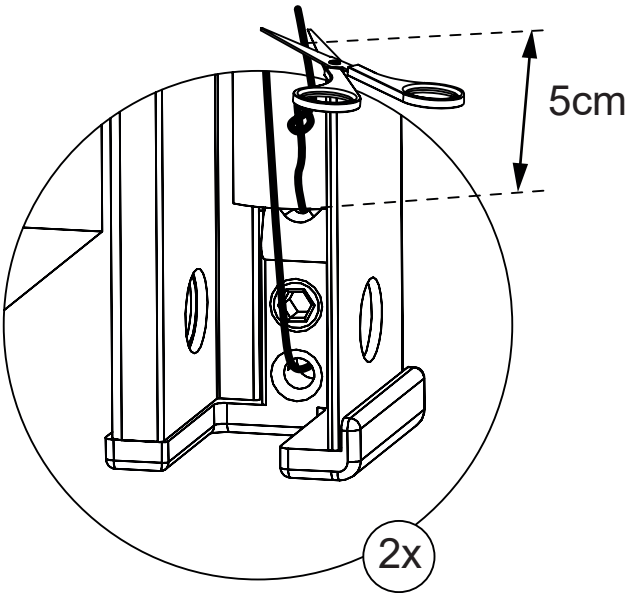




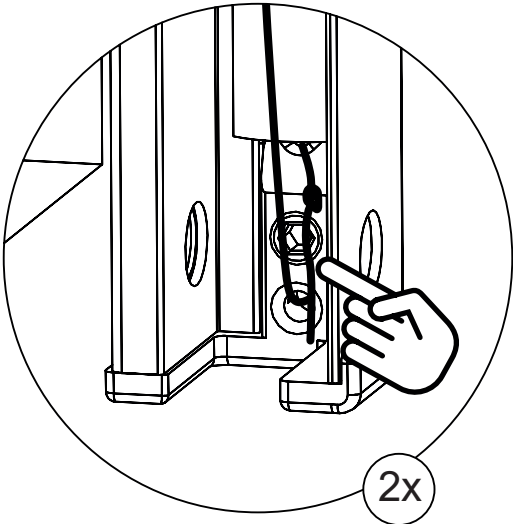
30.

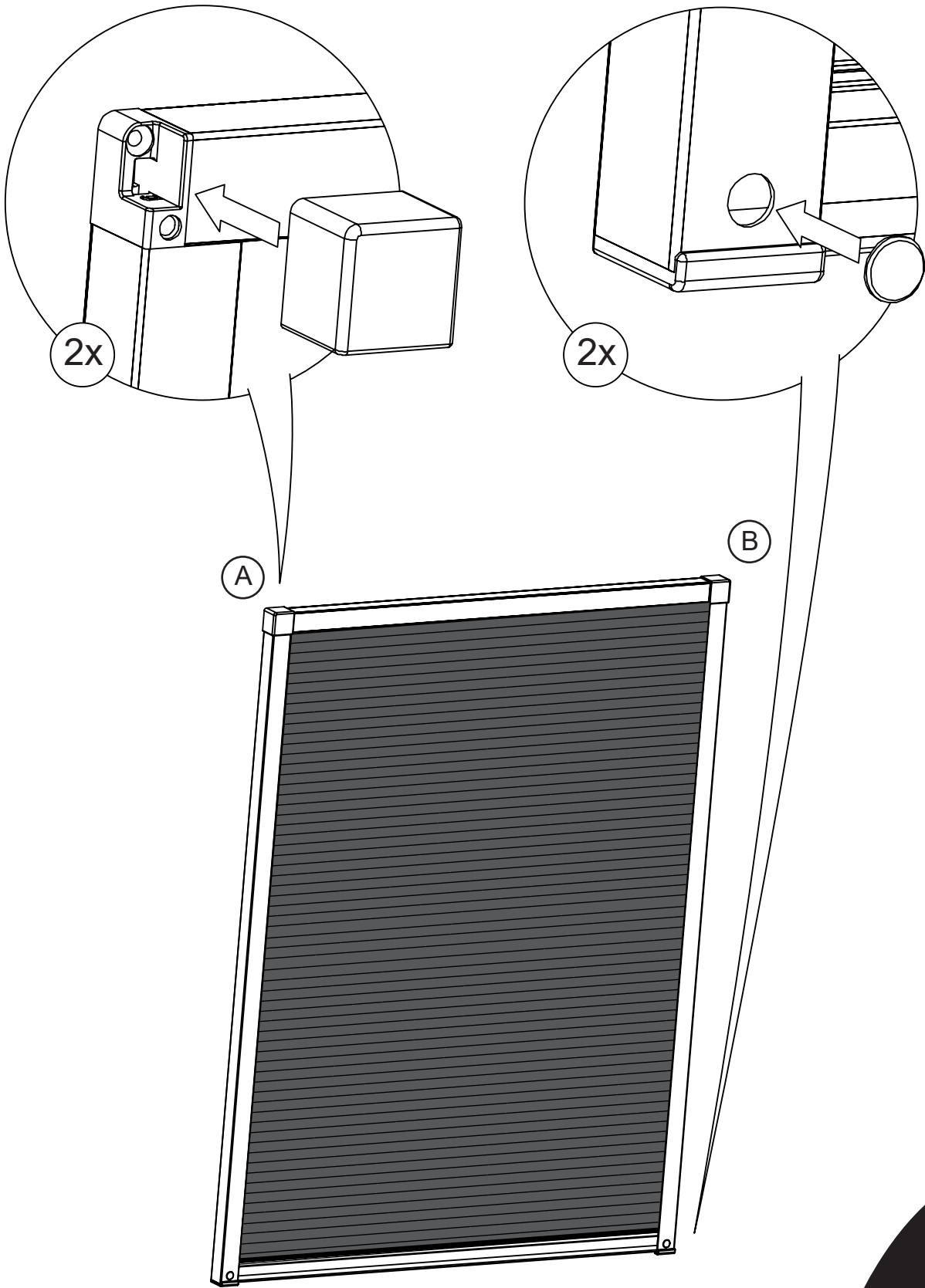


31.



32.







Alfred Schellenberg GmbH

An den Weiden 31
D-57078 Siegen
service.int@schellenberg.de
www.schellenberg.de